



Low Velocity Center Mount Unit Coolers

Technical Guide
Models LWA | LWE | LWG

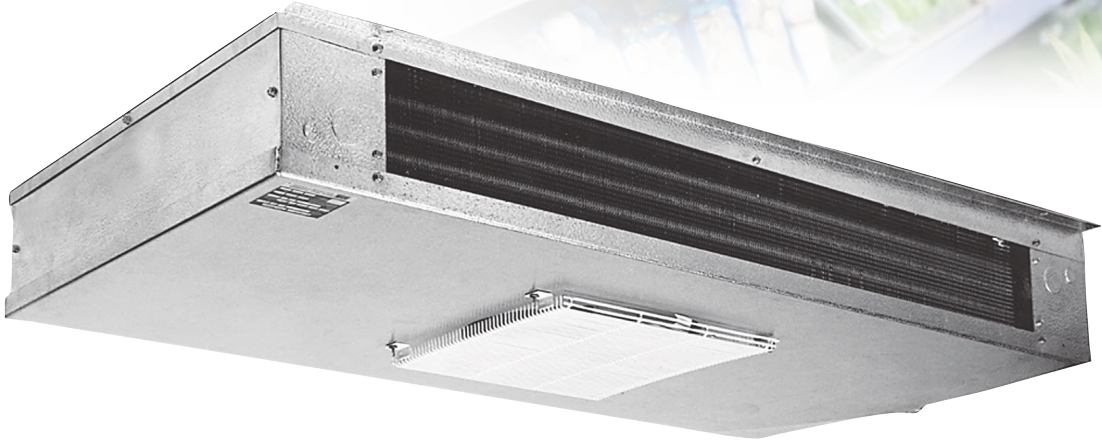


Table of Contents

Nomenclature.....	2
Features & Benefits.....	3
Performance Data	
All Defrost Types.....	4-9
Specifications	
Air Defrost	4-5
Electric Defrost	6-7
Hot Gas.....	8-9
Dimensional Data	10
Replacement Parts by InterLink™.....	10
Physical Data.....	11
Standard Nozzle Selection.....	11



Choose the most energy-efficient motor available for evaporators.



The EC motor is an energy efficient option on Larkin Low Velocity Center Mount Unit Coolers. Available on all new equipment or as an easy-to-install, drop-in replacement aftermarket part from InterLink™ Commercial Refrigeration Parts. Because they are a drop-in replacement for existing shaded pole and PSC motors, installation is quick and easy. It's a high impact, quick payback solution for reducing costs and achieving green initiatives without replacing the entire system.

EC motors by InterLink are up to 75% energy efficient - that's a 51-59% increase over shaded pole motors and a 30-35% increase over permanent-split capacitor (PSC) motors. With all of this added efficiency, you can count on more energy savings and lower operational costs while taking a step in the right direction toward conserving our planet's resources.

Nomenclature

LW	A	100	A	G	C
Model Series	Model Type	Capacity	Electrical Code	Control Option	Design Revision
LWA= Larkin Low Velocity Center Mount, air defrost	A = Air Defrost	# BTUH x 100 (R-404A)	A = 115/1/60	G = intelliGen™	
LWE= Larkin Low Velocity Center Mount, electric defrost	B = Electric Defrost		B = 208-230/1/60		
LWG= Larkin Low Velocity Center Mount, hot gas defrost	E = Hot Gas Defrost		M = 460/1/60		
			AE = 115/1/60 (EC)		
			BE = 208-230/1/60 (EC)		

Features & Benefits

Cabinet

- Low height makes it ideal for low ceiling coolers - larger models are only 15 inches tall, allowing for maximum headroom and more product storage
- Unit designed to be mounted flush against the ceiling or suspended on rods
- Heavy gauge grained aluminum cabinet cleans easily and looks attractive
- Stainless steel screws prevent rust streaks
- Liquid line solenoid wire harness is factory-installed for quick installation
- Wire fan guards with PVC coating for durability
- All electrical components factory wired to terminal board and identified, making it easy to field wire the unit
- Cabinet design features access panels on each end for easy access to electrical and refrigeration components
- Fan panel is lightweight and can easily be lowered for easy servicing and installation
- Expansion valve mounts inside the cabinet

Coil

- Sweat connections to reduce potential for leaks
- Coils are dehydrated and sealed at the factory
- Internally enhanced tubing and fin design for higher efficiency
- Electric defrost models incorporate high quality tubular heaters and a standard fixed defrost termination thermostat
- Hot gas defrost models come with a shipped-loose adjustable fan delay and defrost termination thermostat

Drain Pan

- Double drain pan eliminates drain pan sweating

Motors

- Motor rail is design for maximum strength and durability
- Motors are life lubricated and thermal overload protected
- EC Motors available factory-installed or as a drop-in replacement through InterLink™ Commercial Refrigeration Parts in 115/1/60, 208-230/1/60
- PSC Motors are available in 460/1/60 for air and electric defrost

Controls Options

- IntelliGen™ Refrigeration Controller (iRC) units come with factory mounted, tested and calibrated with an electronic expansion valve, pressure transducer, temperature sensors, control board and User Interface. Standard features include Door Sensor, Product Load Input and Alarm Output.
- Optional Field installable IntelliGen Webserver Card (iWC) enables local and remote monitoring on any Phone, Tablet or PC.
- Optional Field installable IntelliGen Integration Card (iIC) enables connectivity to BACnet and Modbus.
- Quick Response Controller units come factory mounted with an electronic expansion valve, pressure transducer, temperature sensors and control board.
- Beacon II™ units come factory mounted with an electronic expansion valve, pressure transducer, temperature sensors and control board.

Other Options

- Factory installed mounted components are available in these configurations:
 - Pre-assembled units come with mounted TXV, liquid line solenoid valve and room thermostat
 - Pre-charged units come with mounted TXV, liquid line solenoid valve, room thermostat, and quick connect fittings
 - Mounted TXV
 - Mounted TXV and solenoid valve
 - Mounted room thermostat
- Most models available with glycol circuiting (see glycol product brochure)
- Units available with stainless steel housing and drain pan
- Units available with copper fins. Air defrost units available with polyester coated fins, or various coil coating options

PERFORMANCE DATA

Model LWA Air Defrost | 60 Hz

Model	Capacity								Fan Data		
	R-404A				R-407A/C/F, R-448A/R-449A				No.	CFM	m³h
	10°F TD 25°F SST	6°C TD -4°C SST	15°F TD 25°F SST	8°C TD -4°C SST	10°F TD 25°F SST	6°C TD -4°C SST	15°F TD 25°F SST	8°C TD -4°C SST			
	BTUH	Watts	BTUH	Watts	BTUH	Watts	BTUH	Watts			
LWA050	5,000	1,460	7,500	2,200	5,800	1,700	8,700	2,550	1	725	1,233
LWA075	7,500	2,200	11,250	3,300	8,400	2,460	12,600	3,690	1	730	1,241
LWA100	10,000	2,930	15,000	4,390	11,600	3,400	17,400	5,100	2	1,450	2,465
LWA130	13,000	3,810	19,500	5,710	14,300	4,190	21,450	6,285	2	1,470	2,499
LWA155	15,500	4,540	23,250	6,810	17,360	5,100	26,040	7,650	2	1,460	2,482
LWA180	18,000	5,270	27,000	7,910	20,880	6,120	31,320	9,180	3	2,130	3,621
LWA210	21,000	6,150	31,500	9,230	23,940	7,020	35,910	10,530	4	2,840	4,828
LWA270	27,000	7,910	40,500	11,860	31,860	9,340	47,790	14,010	4	2,800	4,760
LWA340	34,000	9,960	51,000	14,940	40,120	11,760	60,180	17,640	5	3,500	5,950

Model LWA Air Defrost | 50 Hz[†]

Model	Capacity								Fan Data		
	R-404A				R-407A/C/F, R-448A/R-449A				No.	CFM	m³h
	10°F TD 25°F SST	6°C TD -4°C SST	15°F TD 25°F SST	8°C TD -4°C SST	10°F TD 25°F SST	6°C TD -4°C SST	15°F TD 25°F SST	8°C TD -4°C SST			
	BTUH	Watts	BTUH	Watts	BTUH	Watts	BTUH	Watts			
LWA050	4,750	1,390	7,130	2,090	5,510	1,610	8,265	2,415	1	660	1,122
LWA075	7,130	2,090	10,690	3,140	7,980	2,340	11,970	3,510	1	660	1,122
LWA100	9,500	2,780	14,300	4,170	11,020	3,230	16,530	4,845	2	1,310	2,227
LWA130	12,350	3,620	18,530	5,420	13,590	3,980	20,385	5,970	2	1,330	2,261
LWA155	14,730	4,310	22,090	6,470	16,490	4,850	24,735	7,275	2	1,320	2,244
LWA180	17,100	5,010	25,650	7,510	19,840	5,810	29,760	8,715	3	1,920	3,264
LWA210	19,950	5,840	29,930	8,770	22,740	6,670	34,110	10,005	4	2,560	4,352
LWA270	25,650	7,510	38,480	11,270	30,270	8,870	45,405	13,305	4	2,530	4,301
LWA340	32,300	9,460	48,450	14,190	38,110	11,170	57,165	16,755	5	3,160	5,372

[†] For EC motors, use 60 Hz capacity and airflow values (Units with EC motors operating at 50 Hz will not see a reduction in performance due to the electronic control of the motor)

SPECIFICATIONS

Model LWA Air Defrost | 60 Hz

Model	PSC Motor						EC Motor			
	115/1/60		230/1/60		460/1/60		115/1/60		230/1/60	
	Amps	Watts	Amps	Watts	Amps	Watts	Amps	Watts	Amps	Watts
LWA050	0.9	90	0.5	90	0.4	117	0.9	55	0.5	55
LWA075	0.9	90	0.5	90	0.4	117	0.9	55	0.5	55
LWA100	1.8	180	1.0	180	0.8	234	1.8	110	1.0	110
LWA130	1.8	180	1.0	180	0.8	234	1.8	110	1.0	110
LWA155	1.8	180	1.0	180	0.8	234	1.8	110	1.0	110
LWA180	2.7	270	1.5	270	1.2	351	2.7	165	1.5	165
LWA210	3.6	360	2.0	360	1.6	468	3.6	220	2.0	220
LWA270	3.6	360	2.0	360	1.6	468	3.6	220	2.0	220
LWA340	4.5	450	2.5	450	2.0	585	4.5	275	2.5	275

Model LWA Air Defrost | 50 Hz

Model	PSC Motor				EC Motor			
	110/1/50		220/1/50		110/1/50		220/1/50	
	Amps	Watts	Amps	Watts	Amps	Watts	Amps	Watts
LWA050	0.8	80	0.4	80	0.9	55	0.5	55
LWA075	0.8	80	0.4	80	0.9	55	0.5	55
LWA100	1.7	160	0.8	160	1.8	110	1.0	110
LWA130	1.7	160	0.8	160	1.8	110	1.0	110
LWA155	1.7	160	0.8	160	1.8	110	1.0	110
LWA180	2.5	240	1.2	240	2.7	165	1.5	165
LWA210	3.3	320	1.6	320	3.6	220	2.0	220
LWA270	3.3	320	1.6	320	3.6	220	2.0	220
LWA340	4.2	400	2.0	400	4.5	275	2.5	275

PERFORMANCE DATA

Model LWE Electric Defrost | 60 Hz

Model	Capacity								Fan Data		
	R-404A				R-407A/C/F, R-448A/R-449A				No.	CFM	m³h
	10°F TD 25°F SST	6°C TD -4°C SST	15°F TD 25°F SST	8°C TD -4°C SST	10°F TD 25°F SST	6°C TD -4°C SST	15°F TD 25°F SST	8°C TD -4°C SST			
	BTUH	Watts	BTUH	Watts	BTUH	Watts	BTUH	Watts			
LWE050	5,000	1,460	7,500	2,200	5,800	1,700	8,700	2,550	1	725	1,233
LWE075	7,500	2,200	11,250	3,300	8,400	2,460	12,600	3,690	1	730	1,241
LWE100	10,000	2,930	15,000	4,390	11,600	3,400	17,400	5,100	2	1,450	2,465
LWE130	13,000	3,810	19,500	5,710	14,300	4,190	21,450	6,285	2	1,470	2,499
LWE155	15,500	4,540	23,250	6,810	17,360	5,100	26,040	7,650	2	1,460	2,482
LWE180	18,000	5,270	27,000	7,910	20,880	6,120	31,320	9,180	3	2,130	3,621
LWE210	21,000	6,150	31,500	9,230	23,940	7,020	35,910	10,530	4	2,840	4,828
LWE270	27,000	7,910	40,500	11,860	31,860	9,340	47,790	14,010	4	2,800	4,760
LWE340	34,000	9,960	51,000	14,940	40,120	11,760	60,180	17,640	5	3,500	5,950

Model LWE Electric Defrost | 50 Hz[†]

Model	Capacity								Fan Data		
	R-404A				R-407A/C/F, R-448A/R-449A				No.	CFM	m³h
	10°F TD 25°F SST	6°C TD -4°C SST	15°F TD 25°F SST	8°C TD -4°C SST	10°F TD 25°F SST	6°C TD -4°C SST	15°F TD 25°F SST	8°C TD -4°C SST			
	BTUH	Watts	BTUH	Watts	BTUH	Watts	BTUH	Watts			
LWE050	4,750	1,390	7,130	2,090	5,510	1,610	8,265	2,415	1	660	1,122
LWE075	7,130	2,090	10,690	3,140	7,980	2,340	11,970	3,510	1	660	1,122
LWE100	9,500	2,780	14,300	4,170	11,020	3,230	16,530	4,845	2	1,310	2,227
LWE130	12,350	3,620	18,530	5,420	13,590	3,980	20,385	5,970	2	1,330	2,261
LWE155	14,730	4,310	22,090	6,470	16,490	4,850	24,735	7,275	2	1,320	2,244
LWE180	17,100	5,010	25,650	7,510	19,840	5,810	29,760	8,715	3	1,920	3,264
LWE210	19,950	5,840	29,930	8,770	22,740	6,670	34,110	10,005	4	2,560	4,352
LWE270	25,650	7,510	38,480	11,270	30,270	8,870	45,405	13,305	4	2,530	4,301
LWE340	32,300	9,460	48,450	14,190	38,110	11,170	57,165	16,755	5	3,160	5,372

[†] For EC motors, use 60 Hz capacity and airflow values (Units with EC motors operating at 50 Hz will not see a reduction in performance due to the electronic control of the motor)

SPECIFICATIONS

Model LWE Electric Defrost | 60 Hz

Model	PSC Motor				EC Motor		Watts	Defrost Heaters	
	230/1/60		460/1/60		230/1/60			230/1/60	460/1/60
	Amps	Watts	Amps	Watts	Amps	Watts	Total Amps		
LWE050	0.5	90	0.4	117	0.5	55	2,000	8.7	4.4
LWE075	0.5	90	0.4	117	0.5	55	2,400	10.5	5.3
LWE100	1.0	180	0.8	234	1.0	110	2,800	12.2	6.1
LWE130	1.0	180	0.8	234	1.0	110	4,000	17.4	8.7
LWE155	1.0	180	0.8	234	1.0	110	4,000	17.4	8.7
LWE180	1.5	270	1.2	351	1.5	165	4,000	17.4	8.7
LWE210	2.0	360	1.6	468	2.0	220	5,200	22.6	11.3
LWE270	2.0	360	1.6	468	2.0	220	5,200	22.6	11.3
LWE340	2.5	450	2.0	585	2.5	275	7,000	30.4	15.2

Model LWE Electric Defrost | 50 Hz

Model	PSC Motor		EC Motor		Watts	230/1/60 Total Amps
	22/1/50		220/1/50			
	Amps	Watts	Amps	Watts		
LWE050	0.4	80	0.5	55	1,830	8.3
LWE075	0.4	80	0.5	55	2,200	10.0
LWE100	0.8	160	1.0	110	2,560	11.6
LWE130	0.8	160	1.0	110	3,660	16.6
LWE155	0.8	160	1.0	110	3,660	16.6
LWE180	1.2	240	1.5	165	3,660	16.6
LWE210	1.6	320	2.0	220	4,760	21.6
LWE270	1.6	320	2.0	220	4,760	21.6
LWE340	2.0	400	2.5	275	6,400	29.1

PERFORMANCE DATA

Model LWG Hot Gas Defrost | 60 Hz

Model	Capacity								Fan Data		
	R-404A				R-407A/C/F, R-448A/R-449A				No.	CFM	m ³ h
	10°F TD 25°F SST	6°C TD -4°C SST	15°F TD 25°F SST	8°C TD -4°C SST	10°F TD 25°F SST	6°C TD -4°C SST	15°F TD 25°F SST	8°C TD -4°C SST			
	BTUH	Watts	BTUH	Watts	BTUH	Watts	BTUH	Watts			
LWG100	10,000	2,930	15,000	4,390	11,600	3,400	17,400	5,100	2	1,450	2,465
LWG130	13,000	3,810	19,500	5,710	14,300	4,190	21,450	6,285	2	1,470	2,499
LWG155	15,500	4,540	23,250	6,810	17,360	5,100	26,040	7,650	2	1,460	2,482
LWG180	18,000	5,270	27,000	7,910	20,880	6,120	31,320	9,180	3	2,130	3,621
LWG210	21,000	6,150	31,500	9,230	23,940	7,020	35,910	10,530	4	2,840	4,828
LWG270	27,000	7,910	40,500	11,860	31,860	9,340	47,790	14,010	4	2,800	4,760
LWG340	34,000	9,960	51,000	14,940	40,120	11,760	60,180	17,640	5	3,500	5,950

Model LWG Hot Gas Defrost | 50 Hz†

Model	Capacity								Fan Data		
	R-404A				R-407A/C/F, R-448A/R-449A				No.	CFM	m ³ h
	10°F TD 25°F SST	6°C TD -4°C SST	15°F TD 25°F SST	8°C TD -4°C SST	10°F TD 25°F SST	6°C TD -4°C SST	15°F TD 25°F SST	8°C TD -4°C SST			
	BTUH	Watts	BTUH	Watts	BTUH	Watts	BTUH	Watts			
LWG100	9,500	2,780	1,430	4,170	11,020	3,230	16,530	4,845	2	1,310	2,227
LWG130	12,350	3,620	18,530	5,420	13,590	3,980	20,385	5,970	2	1,330	2,261
LWG155	14,730	4,310	22,090	6,470	16,490	4,850	24,735	7,275	2	1,320	2,244
LWG180	17,100	5,010	25,650	7,510	19,840	5,810	29,760	8,715	3	1,920	3,264
LWG210	19,950	5,840	29,930	8,770	22,740	6,670	34,110	10,005	4	2,560	4,352
LWG270	25,650	7,510	38,480	11,270	30,270	8,870	45,405	13,305	4	2,530	4,301
LWG340	32,300	9,460	48,450	14,190	38,110	11,170	57,165	16,755	5	3,160	5,372

† For EC motors, use 60 Hz capacity and airflow values (Units with EC motors operating at 50 Hz will not see a reduction in performance due to the electronic control of the motor)

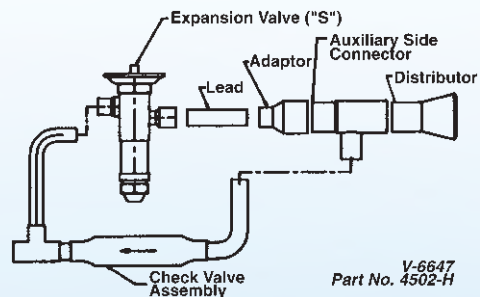
Optional Liquid Line Bypass Kit For Hot Gas Defrost

The LWG may be field piped for hot gas defrost using the optional bypass kit.

When compressor vapor, in reverse cycle defrosting, is directed back into the evaporator at the suction connection, it condenses into liquid. The field-installed liquid line bypass kit directs the condensed liquid around the thermostatic expansion valve and back into the liquid line. Bypass kits include bypass piping, check valve and instructions. Adjustable fan control is shipped loose with hot gas units.

TXV Bypass Kits (Hot Gas Only)

Models Used On	TXV Bypass Kits	
	Type SQE, SBF, or HFESC	Type S
	Part Number	Part Number
LWG100	89897801	89898001
LWG130 - LWG270	89897802	89898002
LWG340	89897803	89898003



SPECIFICATIONS

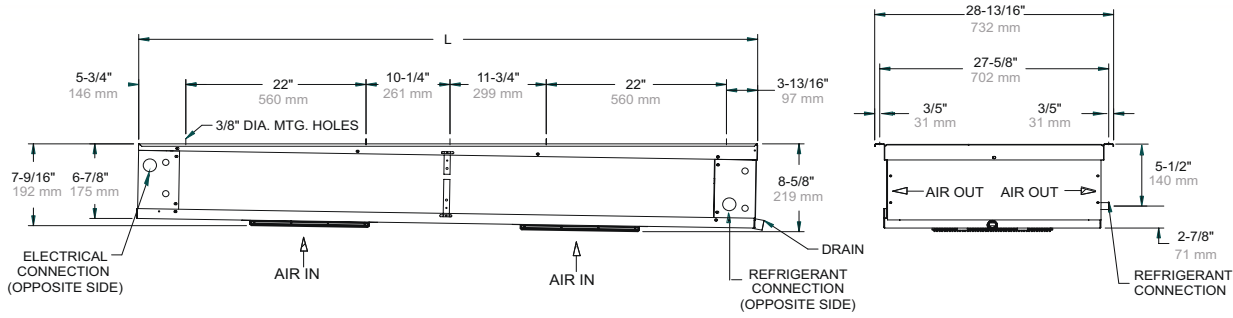
Model LWG Hot Gas Defrost | 60 Hz

Model	PSC Motor				EC Motor				Drain Pan Heaters		
	230/1/60		460/1/60		115/1/60		230/1/60		Watts	115/1/60	230/1/60
	Amps	Watts	Amps	Watts	Amps	Watts	Amps	Watts		Total Amps	
LWG100	1.8	180	1.0	180	1.8	110	1.0	110	350	3.0	1.5
LWG130	1.8	180	1.0	180	1.8	110	1.0	110	500	4.4	2.2
LWG155	1.8	180	1.0	180	1.8	110	1.0	110	500	4.4	2.2
LWG180	2.7	270	1.5	270	2.7	165	1.5	165	500	4.4	2.2
LWG210	3.6	360	2.0	360	3.6	220	2.0	220	650	5.7	2.8
LWG270	3.6	360	2.0	360	3.6	220	2.0	220	650	5.7	2.8
LWG340	4.5	450	2.5	450	4.5	275	2.5	275	875	7.6	3.8

Model LWG Hot Gas Defrost | 50 Hz

Model	PSC Motor				EC Motor				Drain Pan Heaters		
	230/1/60		460/1/60		115/1/60		230/1/60		Watts	115/1/60	230/1/60
	Amps	Watts	Amps	Watts	Amps	Watts	Amps	Watts		Total Amps	
LWG100	1.7	160	0.8	160	1.8	110	1.0	110	320	2.9	1.5
LWG130	1.7	160	0.8	160	1.8	110	1.0	110	460	4.2	2.1
LWG155	1.7	160	0.8	160	1.8	110	1.0	110	460	4.2	2.1
LWG180	2.5	240	1.2	240	2.7	165	1.5	165	460	4.2	2.1
LWG210	3.3	320	1.6	320	3.6	220	2.0	220	595	5.4	2.7
LWG270	3.3	320	1.6	320	3.6	220	2.0	220	595	5.4	2.7
LWG340	4.2	400	2.0	400	4.5	275	2.5	275	800	7.3	3.6

DIMENSIONAL DATA



NOTE: All units have 1/4" OD external equalizer and 3/4" FPT drain connection

Model LWA Air Defrost

Model	No. of Fans	Dimensions	
		In.	mm
LWA050	1	31-1/2	800
LWA075	1	31-1/2	800
LWA100	2	53-1/2	1,359
LWA130	2	53-1/2	1,359
LWA155	2	53-1/2	1,359
LWA180	3	75-1/2	1,918
LWA210	4	97-1/2	2,477
LWA270	4	97-1/2	2,477
LWA340	5	119-1/2	3,035

Model LWE Electric Defrost

Model	No. of Fans	Dimensions	
		In.	mm
LWE050	1	31-1/2	800
LWE075	1	31-1/2	800
LWE100	2	53-1/2	1,359
LWE130	2	53-1/2	1,359
LWE155	2	53-1/2	1,359
LWE180	3	75-1/2	1,918
LWE210	4	97-1/2	2,477
LWE270	4	97-1/2	2,477
LWE340	5	119-1/2	3,035

Model LWG Hot Air Defrost

Model	No. of Fans	Dimensions	
		In.	mm
LWG100	2	53-1/2	1,359
LWG130	2	53-1/2	1,359
LWG155	2	53-1/2	1,359
LWG180	3	75-1/2	1,918
LWG210	4	97-1/2	2,477
LWG270	4	97-1/2	2,477
LWG340	5	119-1/2	3,035

Replacement Parts



Right source. Right parts. Right now.

InterLink™ is your link to a complete line of dependable and certified commercial refrigeration parts, accessories and innovative electronic controls for all Larkin equipment. At InterLink, we provide our wholesalers with a comprehensive selection of product solutions and innovative technologies for the installed customer base. And every product is built to ensure the same high performance standards with which all Heatcraft Refrigeration Products (HRP) brands are built — backed by a dedicated team to serve every customer need, delivering at the best lead times in the industry.

Dependable. Versatile. Courteous.

Finally, one simple source for all your replacement needs from a name you can trust.

For parts, please contact (800) 686-7278 or visit www.heatcraftprd.com.

No. of Fans	Air Defrost	Electric Defrost	Hot Gas Defrost
1	050-075	050-075	—
2	100-155	100-155	100-155
3	180	180	180
4	210-270	210-270	210-270
5	340	340	340

Electrical Components /Miscellaneous

Part #	Description	No. Fans
22512601	Terminal Strip	1 - 5
5521R	Defrost Termination	1 - 5
2891040	Room Thermostat	1 - 5
5708L*	Heater Safety	1 - 5
4550G	Filters	1 - 5

NOTE: * Not Required on WKE models

Motor/Fan Blade/Fan Guards

Part #	Description	No. Fans
5036NS	Motor 115/1/60/50 PSC	1 - 5
5036PS	Motor 208-230/1/60/50 PSC	1 - 5
25309701	Motor 460/1/60/50 PSC Totally Enclosed	1 - 5
25318001	Motor 115/1/60 EC Totally Enclosed	1 - 5
25317901	Motor 208-230/1/60/50 EC Totally Enclosed	1 - 5
5110E	Fan Blade	1 - 5
5055F	Fan Guard - Wire	1 - 5
41449101	Motor Mount - EC Motors	1 - 5
41417501	Motor Mount - 460v PSC	1 - 5

Cabinet Components

Part #	Description	No. Fans
C26769A2	Drain Pan-Stucco	1
C26771A2	Drain Pan-Stucco	2
C26361A2	Drain Pan-Stucco	3
C26362A2	Drain Pan-Stucco	4
D20817A2	Drain Pan-Stucco	5

Electric Defrost

Part #	Description	No. Fans
4401S	Coil Heater	1
4402S	Coil Heater	1
4544B	Coil Heater	2
4544B	Coil Heater	3
4545B	Coil Heater	4
4546B	Coil Heater	5

PHYSICAL DATA

LWA Air Defrost

Model	No. of Fans	Connections (in.)		Approx. Net Wt.	
		Liquid OD	Suction OD	lbs.	kg
LWA050	1	1/2	7/8	70	32
LWA075	1	1/2	7/8	103	47
LWA100	2	1/2	7/8	106	48
LWA130	2	1-1/8	1-1/8	145	66
LWA155	2	1-1/8	1-1/8	149	68
LWA180	3	1-1/8	1-1/8	160	73
LWA210	4	1-1/8	1-1/8	193	88
LWA270	4	1-3/8	1-3/8	200	91
LWA340	5	1-3/8	1-3/8	242	110

LWE Electric Defrost

Model	No. of Fans	Connections (in.)		Approx. Net Wt.	
		Liquid OD	Suction OD	lbs.	kg
LWE050	1	1/2	7/8	75	34
LWE075	1	1/2	7/8	108	49
LWE100	2	1/2	7/8	111	50
LWE130	2	1-1/8	1-1/8	150	68
LWE155	2	1-1/8	1-1/8	154	70
LWE180	3	1-1/8	1-1/8	157	71
LWE210	4	1-1/8	1-1/8	203	92
LWE270	4	1-3/8	1-3/8	208	94
LWE340	5	1-3/8	1-3/8	250	113

LWG Hot Gas Defrost

Model	No. of Fans	Connections (in.)		Approx. Net Wt.	
		Liquid OD	Suction OD	lbs.	kg
LWG100	2	1/2	7/8	131	59
LWG130	2	1-1/8	1-1/8	170	77
LWG155	2	1-1/8	1-1/8	174	79
LWG180	3	1-1/8	1-1/8	185	84
LWG210	4	1-1/8	1-1/8	223	101
LWG270	4	1-3/8	1-3/8	228	103
LWG340	5	1-3/8	1-3/8	270	122

Standard Nozzle Selection

Model LWA Air Defrost

Model	No. of Fans	Distributor Type		No. of Circuits	R404A, R507A Nozzle	R407A, R407F, R407C Nozzle	R448A R449A Nozzle	R22 Nozzle*
		OD	Length					
LWA050	1	3/16	18	3	L-1/3	L-1/3	L-1/2	L-1/4
LWA075	1	3/16	18	4	L-1/2	L-1/2	L-3/4	L-1/3
LWA100	2	3/16	18	6	L-3/4	L-3/4	L-1	L-1/2
LWA130	2	3/16	24	12	E-1	E-1	E-1-1/2	E-3/4
LWA155	2	3/16	24	10	E-1	E-1	E-1-1/2	E-3/4
LWA180	3	3/16	24	12	E-1-1/2	E-1-1/2	E-2	E-1
LWA210	4	3/16	24	12	E-1-1/2	E-1-1/2	E-2	E-1
LWA270	4	3/16	24	20	C-2	C-2	C-2-1/2	C-1-1/2
LWA340	5	3/16	24	20	C-2-1/2	C-2-1/2	C-4	C-2

Model LWE Electric Defrost

Model	No. of Fans	Distributor Type		No. of Circuits	R404A, R507A Nozzle	R407A, R407F, R407C Nozzle	R448A R449A Nozzle	R22 Nozzle*
		OD	Length					
LWE050	1	3/16	18	3	L-1/3	L-1/3	L-1/2	L-1/4
LWE075	1	3/16	18	4	L-1/2	L-1/2	L-3/4	L-1/3
LWE100	2	3/16	18	6	L-3/4	L-3/4	L-1	L-1/2
LWE130	2	3/16	24	12	E-1	E-1	E-1-1/2	E-3/4
LWE155	2	3/16	24	10	E-1	E-1	E-1-1/2	E-3/4
LWE180	3	3/16	24	12	E-1-1/2	E-1-1/2	E-2	E-1
LWE210	4	3/16	24	12	E-1-1/2	E-1-1/2	E-2	E-1
LWE270	4	3/16	24	20	C-2	C-2	C-2-1/2	C-1-1/2
LWE340	5	3/16	24	20	C-2-1/2	C-2-1/2	C-4	C-2

Model LWG Hot Gas Defrost

Model	No. of Fans	Distributor Type		No. of Circuits	R404A, R507A Nozzle	R407A, R407F, R407C Nozzle	R448A R449A Nozzle	R22 Nozzle*
		OD	Length					
LWG100	2	3/16	18	6	L-3/4	L-3/4	L-1	L-1/2
LWG130	2	3/16	24	12	E-1	E-1	E-1-1/2	E-3/4
LWG155	2	3/16	24	10	E-1	E-1	E-1-1/2	E-3/4
LWG180	3	3/16	24	12	E-1-1/2	E-1-1/2	E-2	E-1
LWG210	4	3/16	24	12	E-1-1/2	E-1-1/2	E-2	E-1
LWG270	4	3/16	24	20	C-2	C-2	C-2-1/2	C-1-1/2
LWG340	5	3/16	24	20	C-2-1/2	C-2-1/2	C-4	C-2

NOTE: Nozzles sized for 90-100°F liquid temperature at expansion valve. Contact Application Engineering for guidance if

- Liquid temperature is not 90-100°F
- Evaporator TD is not 10°-15°F (room temperature – saturated suction temperature)
- Electric defrost and hot gas models with a saturated suction temperature of 10°F or higher

Caution: Refrigeration system will not perform properly without correct nozzle!

*R-22 Nozzles for informational purposes only. Not included with stocking evaporators



2175 West Park Place Blvd. · Stone Mountain, GA 30087
Phone: 800.537.7775 · Fax: 770.465.5900
heatcrafterpd.com



Since product improvement is a continuing effort, we reserve the right to make changes in specifications without notice.

LK-LVTB-1118 | Version 001