

# PRO<sup>3</sup> TOP MOUNT PACKAGED REFRIGERATION SYSTEM

Technical Guide

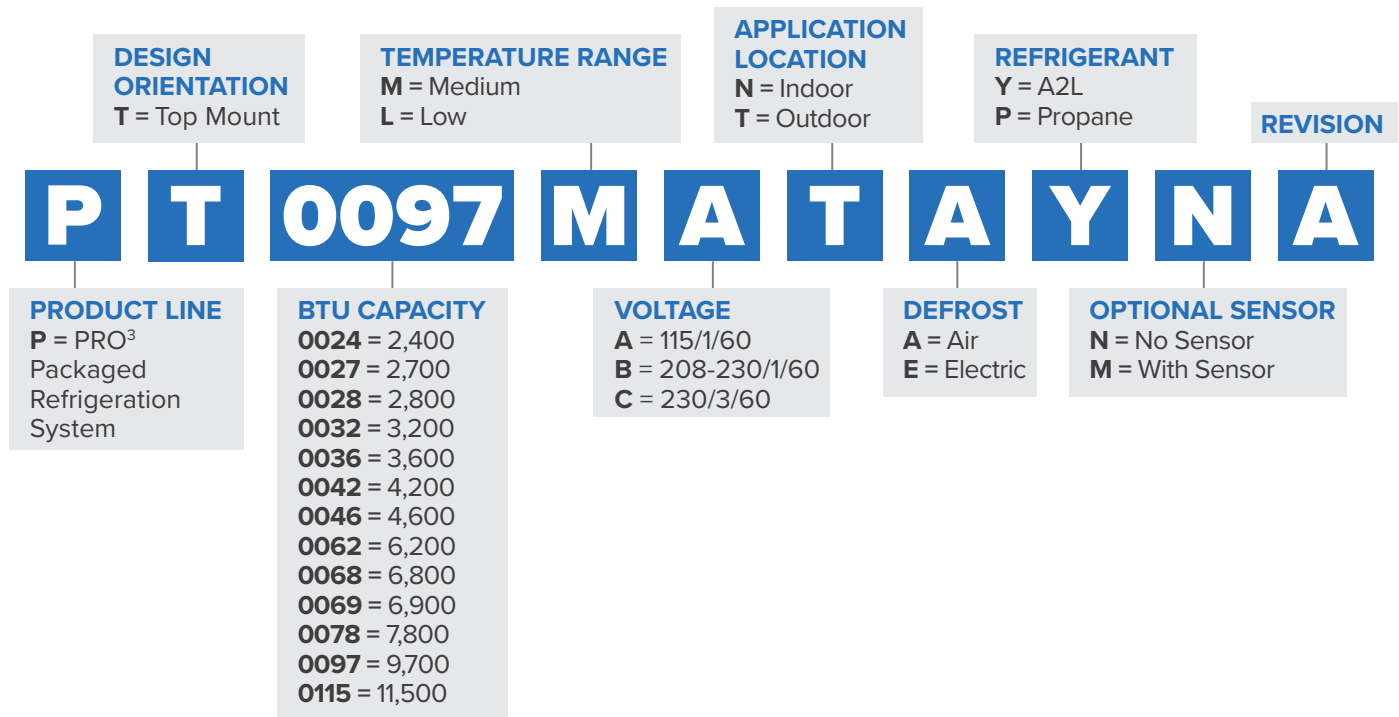




# TABLE OF CONTENTS

- 2** Nomenclature
- 3** Features & Benefits
- 4** Performance Data
  - 4** Air & Electric Defrost Medium Temperature
  - 4** Electric Defrost Low Temperature (R-455A)
- 5** AWEF Data
  - 5** AWEF Medium & Low Temperature
- 6** Electrical Data
- 8** Replacement Parts
- 9** Dimensional Drawings

# NOMENCLATURE



## FEATURES & BENEFITS

The **PRO<sup>3</sup>** Top Mount packaged refrigeration system combines evaporator and condensing unit into one unit expediting installation time and reducing refrigerant charge — saving time, money and energy.

This packaged system is designed to maximize storage space inside walk-in coolers or freezers and is ideal for small- to medium-sized restaurant and convenience store applications.

System is fully-assembled, evacuated, charged, run-tested and wired at the factory. No additional components are required.

### AESTHETICS

- Stucco-aluminum finish

### PERFORMANCE

- Maximum vertical storage capacity
- Ideal for holding temperature
- Medium-temp air and electric defrost
- Low-temp electric defrost

### ENVIRONMENTALLY FRIENDLY

- Pre-charged with R-290 (P1 cabinet) & R-455A (P2 & P3 cabinet) refrigerant to meet CARB, US Climate and AIM Act Technology Transition requirements

### RELIABLE | DURABLE

- Liquid-line filter drier (Medium and large cabinet only)
- Two-year parts warranty

### ENERGY EFFICIENCY

- P1 units use 2 speed EC Evaporator motors
- P2 & P3 units use 2 speed EC Evaporator motors
- P2 & P3 units use single speed EC Condenser motors
- P2 & P3 units use a Microchannel condenser for higher efficiency & corrosion protection

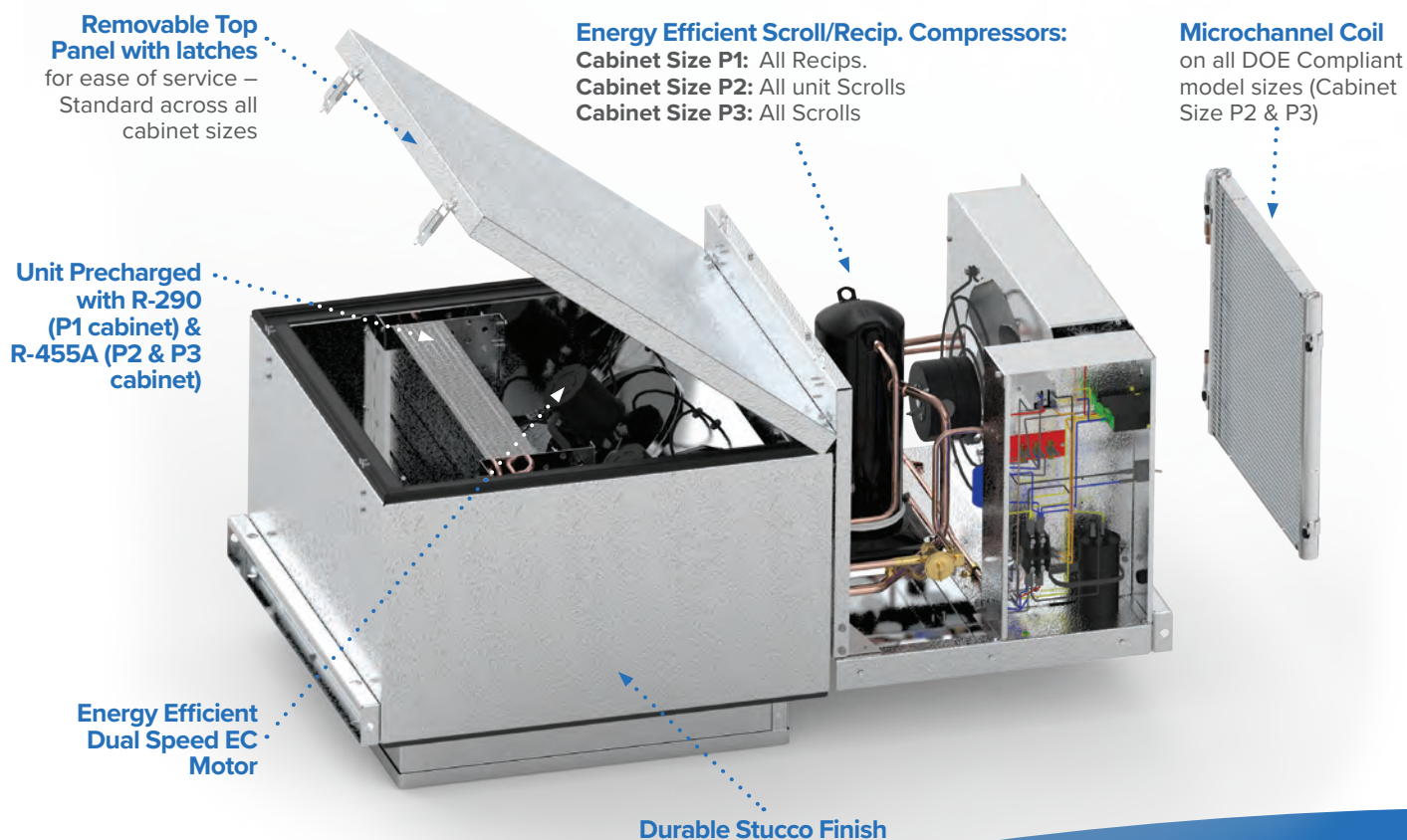
### EASE OF INSTALLATION

- Pre-charged with refrigerant
- No refrigerant piping required
- Evaporative condensate pan (indoor units only)
- All units get a removable top panel with latches
- All P1 & select P2 & P3 units come with a power cord

### CONTROLS

- Microprocessor control

## OUTSTANDING FEATURES



## AIR & ELECTRIC DEFROST

### Medium Temperature/Cooler (R-290)

Model	80°F Ambient		90°F Ambient		95°F Ambient		100°F Ambient		110°F Ambient	
	Box Temperature									
	35°F	38°F	35°F	38°F	35°F	38°F	35°F	38°F	35°F	38°F
PT0024MAN#P\$A	2,700	2,850	2,550	2,700	2,500	2,600	2,450	2,550	2,250	2,400
PT0028MAN#P\$A	2,850	3,000	2,750	2,900	2,700	2,800	2,550	2,700	2,400	2,550
PT0032MAN#P\$A	3,100	3,250	2,950	3,100	2,900	3,050	2,800	2,950	2,650	2,800

### Medium Temperature/Cooler (R-455A)

Model	80°F Ambient		90°F Ambient		95°F Ambient		100°F Ambient		110°F Ambient	
	Box Temperature									
	35°F	38°F	35°F	38°F	35°F	38°F	35°F	38°F	35°F	38°F
PT0068MB*#Y\$AA*	7,120	7,460	6,770	7,150	6,620	7,020	6,460	6,740	6,000	6,360
PT0068MB*#Y\$A	7,120	7,460	6,770	7,150	6,620	7,020	6,460	6,740	6,000	6,360
PT0078MB*#Y\$A	8,240	8,660	7,760	8,270	7,720	8,060	7,460	7,720	7,060	7,380
PT0097MB*#Y\$A	9,980	10,390	9,560	10,100	9,370	9,900	9,120	9,560	8,600	8,980
PT0097MC*#Y\$A	10,030	10,450	9,730	10,190	9,430	9,980	9,190	9,770	8,660	9,090
PT0115MB*#Y\$A	11,830	12,490	11,510	12,160	11,240	11,850	10,890	11,460	10,180	10,690
PT0115MC*#Y\$A	12,070	12,570	11,580	12,080	11,330	11,850	10,990	11,560	10,270	10,780

## ELECTRIC DEFROST

### Low Temperature/Freezer (R-455A)

Model	80°F Ambient			90°F Ambient			95°F Ambient			100°F Ambient			110°F Ambient		
	Box Temperature														
	0°F	-10°F	-20°F	0°F	-10°F	-20°F	0°F	-10°F	-20°F	0°F	-10°F	-20°F	0°F	-10°F	-20°F
PT0027LB*EY\$A	3,450	2,830	2,350	3,270	2,730	2,230	3,200	2,680	2,210	3,110	2,590	2,110	2,960	2,430	2,010
PT0036LB*EY\$A	4,550	3,710	2,960	4,360	3,570	2,800	4,250	3,460	2,740	4,150	3,340	2,690	3,860	3,120	2,480
PT0042LB*EY\$A	5,420	4,440	3,520	5,210	4,220	3,390	5,100	4,110	3,230	4,890	3,980	3,170	4,570	3,670	2,900
PT0062LB*EY\$A	7,900	6,470	5,190	7,670	6,170	4,870	7,450	6,030	4,830	7,130	5,880	4,710	6,810	5,480	4,340
PT0062LC*EY\$A	7,910	6,470	5,200	7,610	6,170	4,870	7,440	6,030	4,830	7,290	5,880	4,710	6,810	5,480	4,340
PT0069LB*EY\$A	8,650	7,180	5,780	8,350	6,860	5,600	8,150	6,680	5,500	7,850	6,500	5,220	7,390	6,030	4,960
PT0069LC*EY\$A	8,650	7,180	5,780	8,360	6,860	5,610	8,160	6,690	5,500	7,850	6,500	5,220	7,390	6,040	4,960

**Notes:**

# A = Air defrost, E = Electric defrost

\* N = Indoor, T = Outdoor

§ N = No Sensor, M = With Sensor

\* = This model temporarily replaces PT0046MB models

## AWEF DATA – MEDIUM TEMPERATURE

### Walk-In Cooler (R-290)

If model has a numerical value in the table below, the following statement applies:

This refrigeration system is designed and certified for use in walk-in cooler applications

Model	Indoor	Outdoor
PT0024M	5.61	X
PT0028M	5.61	X
PT0032M	5.61	X

### Walk-In Cooler (R-455A)

Model	Indoor	Outdoor
PT0046M*	X	X
PT0068M	5.61	7.60
PT0078M	5.61	7.60
PT0097M	5.61	7.60
PT0115M	5.61	7.60

## AWEF DATA – LOW TEMPERATURE

### Walk-In Freezer (R-455A)

If model has a numerical value in the table below, the following statement applies:

This refrigeration system is designed and certified for use in walk-in freezer applications

Model	Indoor	Outdoor
PT0027L	2.04	2.89
PT0036L	2.11	2.94
PT0042L	2.17	2.98
PT0062L	2.32	3.08
PT0069L	2.38	3.13

**Notes:**

X = Model not available in outdoor

\* = This model is temporarily unavailable. Please contact Heatcraft sales for more information

# ELECTRICAL DATA

All Models

Model	Defrost	Voltage	MCA	MOPD	Unit Amps	Evaporator CFM	Plug Supplied	Matching NEMA Receptacle	Dimensions Figure	Aprox. Net Weight	
										Lbs.	kg
PT0024MANEP\$A	E	115/1/60	15	15	4.6	250	YES	5-20R	1	112	51
PT0024MANAP\$A	A	115/1/60	15	15	4.6	250	YES	5-20R	1	110	50
PT0028MANEP\$A	E	115/1/60	15	15	4.6	300	YES	5-20R	1	117	53
PT0028MANAP\$A	A	115/1/60	15	15	4.6	300	YES	5-20R	1	115	52
PT0032MANEP\$A	E	115/1/60	15	15	4.6	300	YES	5-20R	1	117	53
PT0032MANAP\$A	A	115/1/60	15	15	4.6	300	YES	5-20R	1	115	52
PT0027LBNEY\$A	E	208-230/1/60	8.5	15	7.1	330	YES	6-15R	2	215	98
PT0036LBNEY\$A	E	208-230/1/60	10.9	15	9.2	550	YES	6-15R	2	220	100
PT0042LBNEY\$A	E	208-230/1/60	12.4	20	10.4	550	YES	6-20R	2	225	102
PT0068MBNEY\$AA <sup>+</sup>	E	208-230/1/60	9.3	15	8.0	550	YES	6-15R	2	215	98
PT0068MBNAY\$AA <sup>+</sup>	A	208-230/1/60	9.3	15	8.0	550	YES	6-15R	2	215	98
PT0068MBNEY\$A	E	208-230/1/60	9.3	15	8.0	550	YES	6-15R	2	215	98
PT0068MBNAY\$A	A	208-230/1/60	9.3	15	8.0	550	YES	6-15R	2	215	98
PT0078MBNEY\$A	E	208-230/1/60	9.7	15	8.2	500	YES	6-15R	2	220	100
PT0078MBNAY\$A	A	208-230/1/60	9.7	15	8.2	500	YES	6-15R	2	220	100
PT0027LBTEY\$A	E	208-230/1/60	9.4	15	8.0	330	NO	—	2	230	104
PT0036LBTEY\$A	E	208-230/1/60	10.9	15	9.2	550	NO	—	2	235	107
PT0042LBTEY\$A	E	208-230/1/60	12.4	20	10.4	550	NO	—	2	240	109
PT0068MBTEY\$A	E	208-230/1/60	9.3	15	8.0	550	NO	—	2	230	104
PT0068MBTAY\$A	A	208-230/1/60	9.3	15	8.0	550	NO	—	2	230	104
PT0078MBTEY\$A	E	208-230/1/60	9.7	15	8.2	500	NO	—	2	245	111
PT0078MBTAY\$A	A	208-230/1/60	9.7	15	8.2	500	NO	—	2	245	111
PT0062LBNEY\$A	E	208-230/1/60	19.5	30	16.5	825	NO	—	3	275	125
PT0062LCNEY\$A	E	208-230/3/60	14.7	20	12.6	825	NO	—	3	275	125
PT0069LBNEY\$A	E	208-230/1/60	19.8	30	16.7	825	NO	—	3	275	125
PT0069LCNEY\$A	E	208-230/3/60	14.0	20	12.1	825	NO	—	3	275	125
PT0097MBNEY\$A	E	208-230/1/60	14.5	20	12.3	610	YES	6-20R	3	260	118
PT0097MCNEY\$A	E	208-230/3/60	12.3	15	10.5	610	NO	—	3	260	118
PT0097MBNAY\$A	A	208-230/1/60	14.5	20	12.3	610	YES	6-20R	3	260	118

**Notes:**

§ N = No Sensor, M = With Sensor

<sup>+</sup> = These models temporarily replace PT0046MB models

# ELECTRICAL DATA

All Models (cont.)

Model	Defrost	Voltage	MCA	MOPD	Unit Amps	Evaporator CFM	Plug Supplied	Matching NEMA Receptacle	Dimensions Figure	Aprox. Net Weight	
										Lbs.	kg
PT0097MCNAYSA	A	208-230/3/60	12.3	15	10.5	610	NO	—	3	260	118
PT0115MBNEYSA	E	208-230/1/60	18.5	25	15.6	825	YES	6-20R	3	260	118
PT0115MCNEYSA	E	208-230/3/60	15.9	25	13.6	825	NO	—	3	260	118
PT0115MBNAYSA	A	208-230/1/60	18.5	25	15.6	825	YES	6-20R	3	260	118
PT0115MCNAYSA	A	208-230/3/60	15.9	25	13.6	825	NO	—	3	260	118
PT0062LBTEYSA	E	208-230/1/60	19.5	30	16.5	825	NO	—	3	295	134
PT0062LCTEYSA	E	208-230/3/60	14.7	20	12.6	825	NO	—	3	295	134
PT0069LBTEYSA	E	208-230/1/60	19.8	30	16.7	825	NO	—	3	295	134
PT0069LCTEYSA	E	208-230/3/60	14.0	20	12.1	825	NO	—	3	295	134
PT0097MBTEYSA	E	208-230/1/60	14.5	20	12.3	610	NO	—	3	280	127
PT0097MCTEYSA	E	208-230/3/60	12.3	15	10.5	610	NO	—	3	280	127
PT0097MBTAYSA	A	208-230/1/60	14.5	20	12.3	610	NO	—	3	280	127
PT0097MCTAYSA	A	208-230/3/60	12.3	15	10.5	610	NO	—	3	280	127
PT0115MBTEYSA	E	208-230/1/60	18.5	25	15.6	825	NO	—	3	280	127
PT0115MCTEYSA	E	208-230/3/60	15.9	25	13.6	825	NO	—	3	280	127
PT0115MBTAYSA	A	208-230/1/60	18.5	25	15.6	825	NO	—	3	280	127
PT0115MCTAYSA	A	208-230/3/60	15.9	25	13.6	825	NO	—	3	280	127

**Notes:**  
 § N = No Sensor, M = With Sensor





**www.interlinkparts.com**  
**800.686.7278**

## Right source. Right parts. Right now.

InterLink™ is your link to a complete line of dependable and certified commercial refrigeration parts, accessories and innovative electronic controls for all Bohn equipment. At InterLink, we provide our wholesalers with a comprehensive selection of product solutions and innovative technologies for the installed customer base. And every product is built to ensure the same high performance standards with which all Heatcraft Refrigeration Products brands are built — backed by a dedicated team to serve every customer need, delivering at the best lead times in the industry.

## Dependable. Versatile. Courteous.

Finally, one simple source for all your replacement needs from a name you can trust.

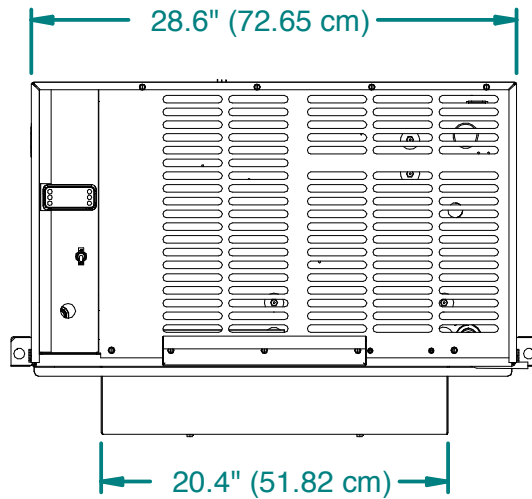
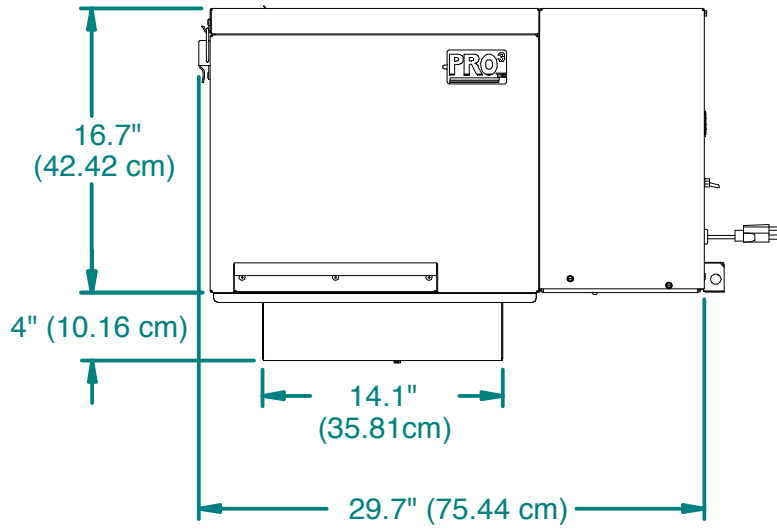
# REPLACEMENT PARTS

Model	Cabinet, Voltage/Phase					
	P1, 115/1		P2, 115/1	P2, 230/1	P3, 230/1	P3, 230/3
	PT0024	PT0028, PT0032				
Motor - Condenser	25312001	25302101	25308501	25322404	25322404	25322404
Motor - Evaporator	25302101		25329002	25329101	25329101	25329101
Fan blade - Condenser	N/A		5110E	22901601	22901601	22901601
Fan blade - Evaporator	N/A		22901901	22901901	22901901	22901901
Motor Mount - Condenser	N/A		23103301	23106101	23106101	23106101
Motor Mount - Evaporator	N/A		23103301	23103301	23103301	23103301
Contactors	2254303		2254303	R034915200	R034915200	2259996
Temperature Controller	21300001		21300001	21302401	21302401	21302401
Room Temp Sensor	28913702		28913703	28913703	28913703	28913703
Defrost Temp Sensor	28913701		28913701	28913701	28913701	28913701
Defrost Limit Switch	5708L		5708L	5708L	5708L	5708L
Defrost Heaters	24712101		24712101	4312F	4313F	4313F
Fan Pressure Control	N/A		N/A	28917302	28917302	28917302
Fan Temp Control	N/A		N/A	N/A	5521R	5521R
Drain Line Heater	N/A		N/A	24753401	24753401	24753401
Drain Line Heater T'stat	N/A		N/A	28917401	28917401	28917401
Weatherhood	N/A		N/A	59332801	50087601	50087601
Grille			24112501		24112601	
Mitigation Sensor	28992601				28992701	



# DIMENSIONAL DRAWINGS

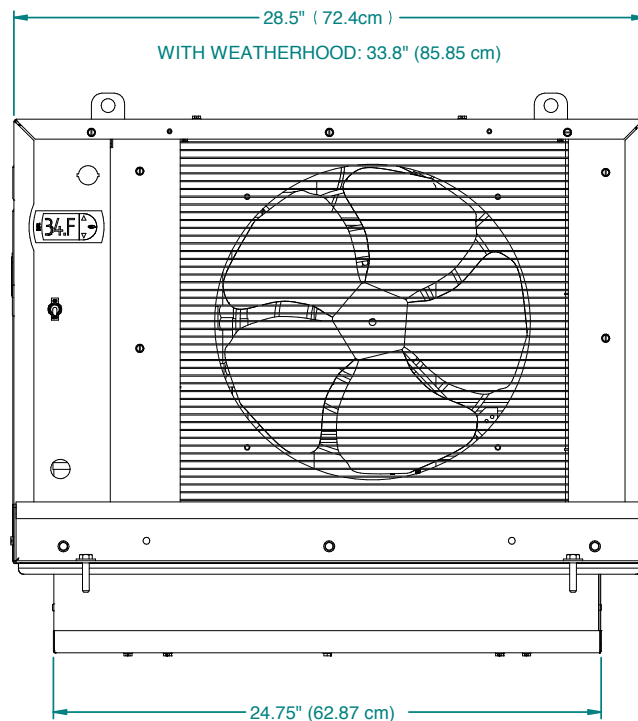
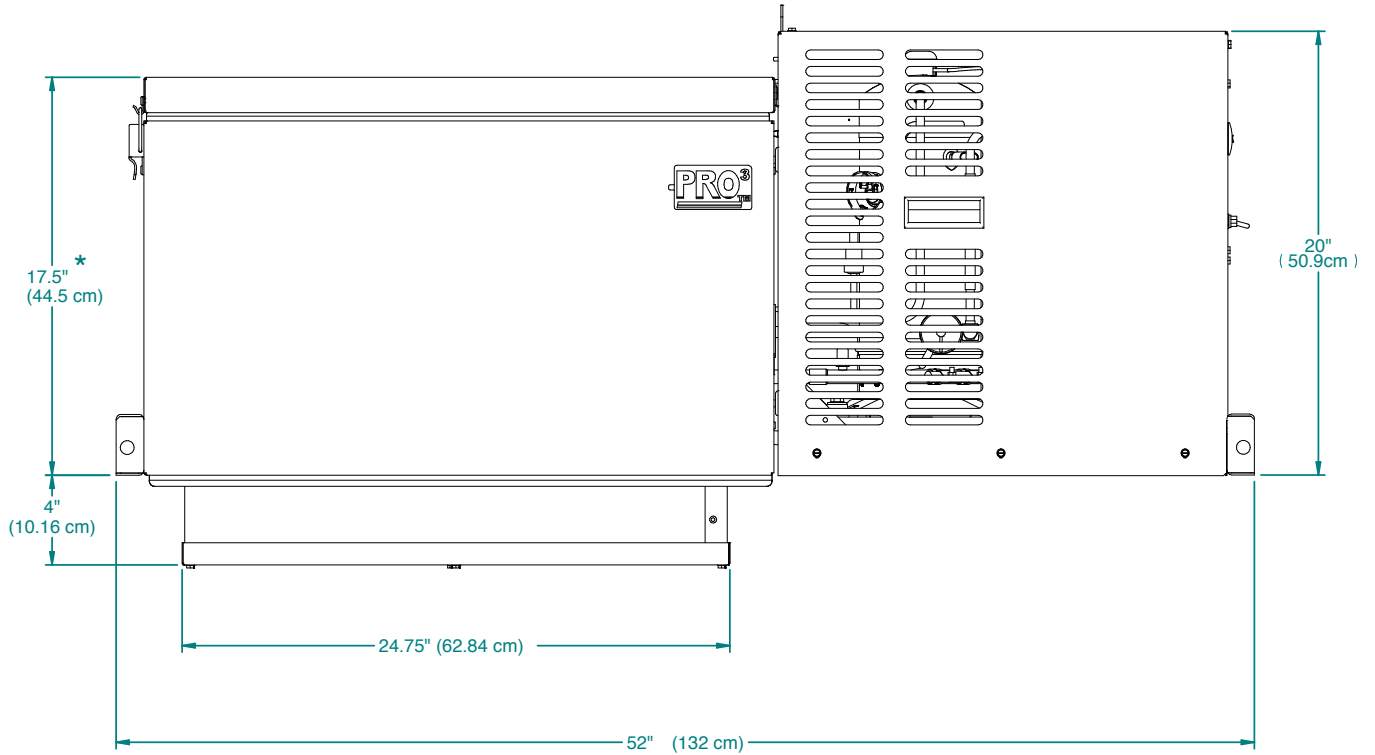
FIGURE 1  
P1 CABINET DESIGN/INDOOR ONLY



14.25" X 20.75" PANEL OPENING REQUIRED FOR EVAPORATOR SECTION OF "P1" CABINET SIZES.

## DIMENSIONAL DRAWINGS

FIGURE 2  
P2 CABINET DESIGN

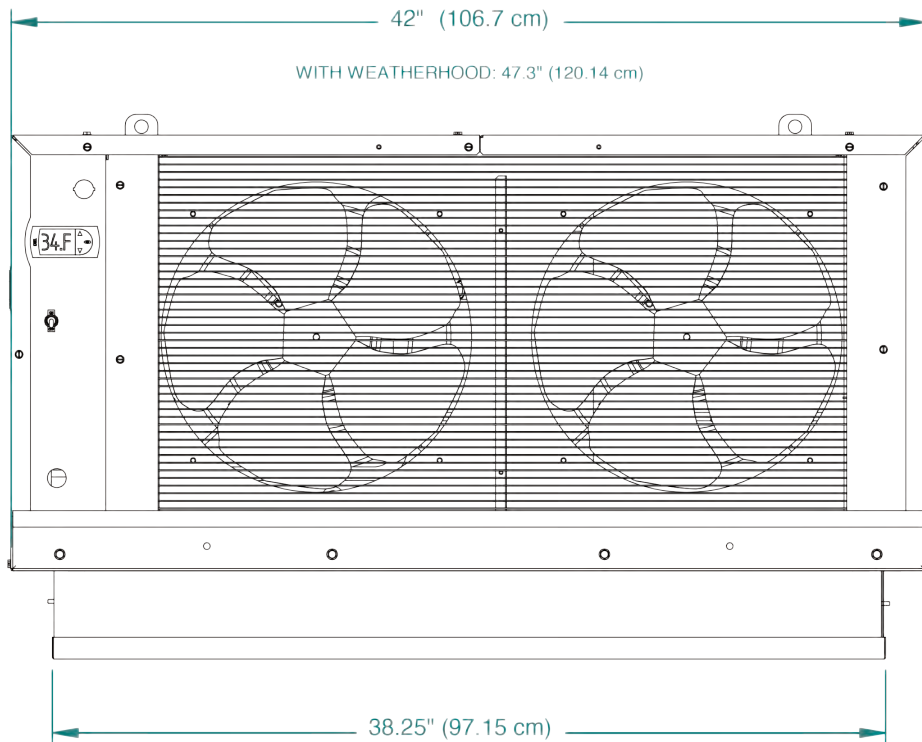
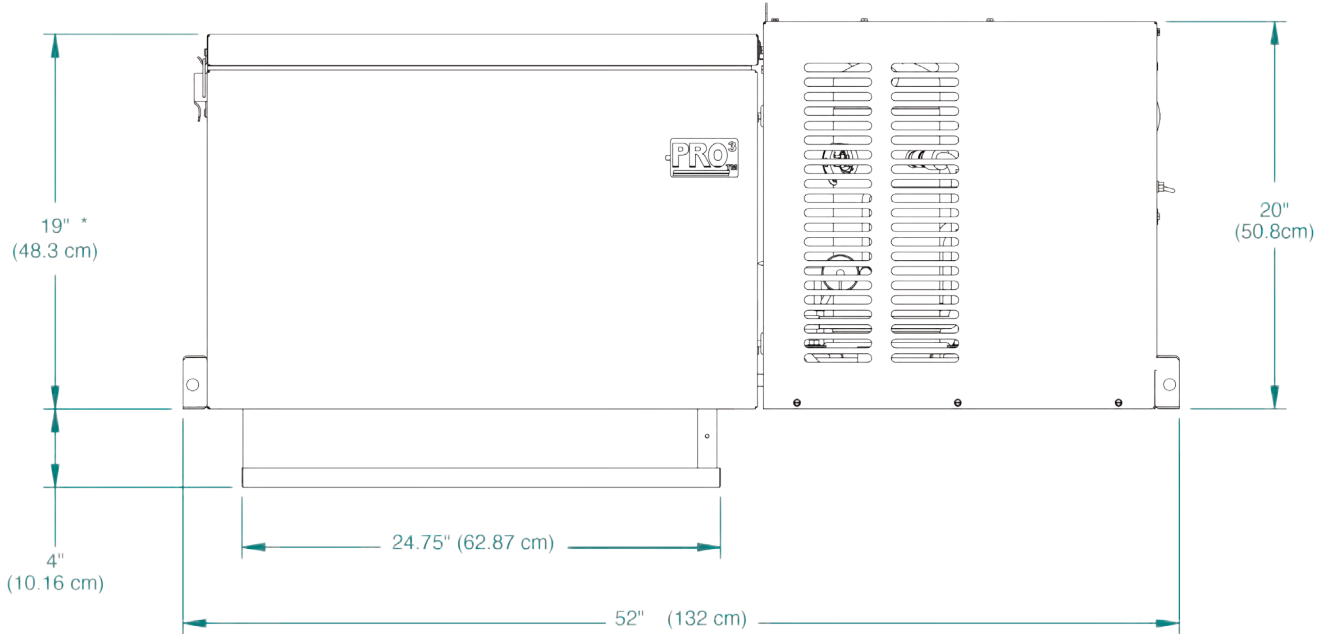


25"X25" PANEL OPENING REQUIRED FOR EVAPORATOR SECTION OF "P2" CABINET SIZES.

\* - 23.5" (59.69 cm) ON OUTDOOR MODELS WITH WEATHERHOOD

# DIMENSIONAL DRAWINGS

FIGURE 3  
P3 CABINET DESIGN



25"X38.5" PANEL OPENING REQUIRED FOR EVAPORATOR SECTION OF "P3" CABINET SIZES.

\* - 25.5" (64.77 cm) ON OUTDOOR MODELS WITH WEATHERHOOD



2175 West Park Place Blvd.

Stone Mountain, GA 30087

Phone: 800.537.7775 · Fax: 770.465.5900

[heatcraftprd.com](http://heatcraftprd.com)

Since product improvement is a continuing effort, we reserve the right to make changes in specifications without notice.

**BN-LGWP-PROTB-1124 | Version 003**

©2024 Heatcraft Refrigeration Products LLC