

BOHN

BN-RCUTB
March 2021

Replaces BN-RCUTB, February 2018

REMOTE INDOOR COMPRESSOR UNITS

Model SRN | ZRN

Technical Guide

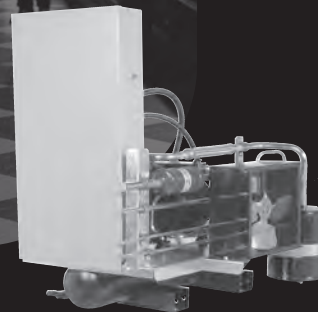
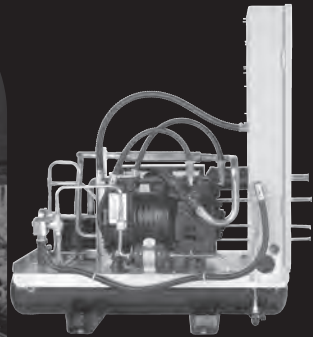


TABLE OF CONTENTS

Nomenclature.....	2
SRN Models.....	3-11
Features & Benefits	3
Options	4
Performance Data	
Medium Temperature	
R-404A/R-507	5
R-407A	5
R-407C	5
R-448A/449A.....	5
Low Temperature	
R-404A/R-507.....	6
R-407A	6
R-407C	7
R-407F.....	7
R-448A/449A	8
Electrical Data.....	9-10
Medium Temperature (R-404A/R-507)	9
Low Temperature (R-404A/R-507).....	10
Physical Data	11
ZRN Models	12-22
Features & Benefits	12
Options	13
Performance Data	14-18
Extended Temperature	
R-404A/R-507	14
R-407A	14
R-407C	14
R-448A/449A.....	15
Medium Temperature	
R-404A/R-507.....	16
R-407C	16
R-448A/449A	16
Low Temperature	
R-404A/R-507.....	17
R-407A	17
R-407C	17
R-448A/449A	18
Electrical Data.....	19-20
Low Temperature (R-404A/R-507).....	19
Medium & Extended Temperature (R-404A/R-507).....	20
Physical Data	21
Dimensional Drawing (Figures A. & Figures B.).....	22

NOMENCLATURE - SRN MODELS

S	R	N	0090	M	6	C
Compressor	Model	Application	Model Size	Temp.	Refrigerant	Voltage
S = Semi-Hermetic Reciprocating	R = Remote	N = Indoor	0090 - 2200	L = Low M = Medium	6 = R-404A/507 (R-407A/407C/407F, R-448A/449A available on select models)	B = 208/230/1/60 G = 230/1/60 C = 208/230/3/60 D = 460/3/60 E = 575/3/60

NOMENCLATURE - ZRN MODELS

Z	R	N	020	M	6	C
Compressor	Model	Application	Model Size	Temp.	Refrigerant	Voltage
Z = Scroll	R = Remote	N = Indoor	020 - 060 or 0650-1500	X = Extended L = Low M = Medium	6 = R-404A/507 (R-407A/407C/407F, R-448A/449A available on select models)	B = 208/230/1/60 C = 208/230/3/60 D = 460/3/60

FEATURES & BENEFITS -SRN

The indoor remote compressor unit is specifically designed for use in supermarket, restaurant, warehouse and other commercial and industrial applications. The design focuses on ease of installation and maintenance along with the flexibility to fit most application requirements.

Construction

- Spacious, pre-painted electrical box
- Fixed low pressure switch (adjustable on low temp models)
- Fixed high pressure switch
- Pump down switch
- 230V control circuit transformer on 460V units
- Sealed liquid line filter drier and sight glass

Serviceability

- Easy access refrigerant piping
- Captive door fasteners
- Single electrical connection location
- Removable electrical box provides convenient front access to the oil pump and compressor

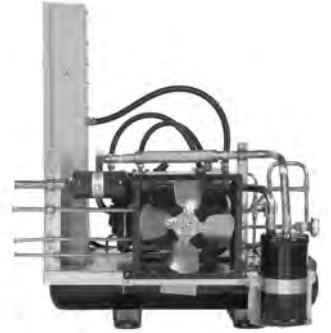
Quality

- Pre-bent tubing reduces the possibility of leaks
- Shipped with dry nitrogen charge
- Heavy duty base plate
- Non-metallic conduit on all wiring runs

Components

- Semi-hermetic reciprocating compressors
- Compressor contractor and control circuit fusing
- Oil pressure switch (when required)
- Rigid mounted compressors (models 0090-0400)
- Spring mounted compressors with suction and discharge vibration eliminators (models 0499 and above)
- Compressor head cooling fan (when required)
- Compressor solid state protection model (on units with 4D compressors)

NOTES: SRN pictured with optional suction accumulator, liquid solenoid valve, sealed suction filter and head pressure valve



Factory-Installed Options

- Dual pressure switch
- Oil separator with discharge check valve and oil return hand valve
- Compressor and control circuit breaker
- Two tier rack
- Suction accumulator
- Sealed suction filter
- Replaceable core suction filter (0300-2200)
- Replaceable core liquid filter (0300-2200)
- Liquid line solenoid valve
- Spring mounted compressors with suction and discharge vibration eliminators (models 0090 to 0400)
- Crankcase heater
- Air defrost timer
- Electric defrost kit. Kit includes timer, evaporator fan contactor, defrost heater contactor(s), lockout relay and terminal block
- Remote load fusing for electric defrost kit. Includes evaporator fan motor and defrost heater fuses
- Fixed head pressure control valve
- Beacon II™ compatible (contact factory)
- Demand cooling for low temperature (contact factory)

PERFORMANCE DATA - SRN Models

R-404A/R-507 Models - Medium Temperature

Model	Compressor	Capacity BTUH					
		Suction Temperature					
		15°F	20°F	25°F	30°F	35°F	40°F
SRN0090M6	KARA-010E	6,910	7,780	8,880	-	-	-
SRN0199M6	KAKA-020E	11,450	12,850	14,150	-	-	-
SRN0200M6	ERCA-021E	14,470	16,310	18,480	-	-	-
SRN0310M6	ERFA-031E	21,380	24,080	27,080	-	-	-
SRN0500M6	2DC3R53KE	33,050	37,370	42,030	47,090	52,600	58,540

120°F Condensing Temperature, 8°F Subcooling

R-407A/R-407F Models - Medium Temperature

Model	Compressor	Capacity BTUH					
		Suction Temperature					
		15°F	20°F	25°F	30°F	35°F	40°F
SRN0090M6	KARA-010E	6,640	7,570	8,600	-	-	-
SRN0199M6	KAKA-020E	11,110	12,660	14,420	-	-	-
SRN0500M6	2DC3R53KE	31,640	36,160	41,240	46,900	53,140	59,990

120°F Condensing Temperature, 8°F Subcooling

R-407C Models - Medium Temperature

Model	Compressor	Capacity BTUH					
		Suction Temperature					
		15°F	20°F	25°F	30°F	35°F	40°F
SRN0090M6	KARA-010E	6,240	7,120	8,090	-	-	59,450
SRN0199M6	KAKA-020E	10,480	11,940	13,600	-	-	-
SRN0500M6	2DC3R53KE	30,270	34,850	40,040	45,850	52,320	59,450

120°F Condensing Temperature, 8°F Subcooling

R-448A/R-449A Models - Medium Temperature

Model	Compressor	Capacity BTUH					
		Suction Temperature					
		15°F	20°F	25°F	30°F	35°F	40°F
SRN0090M6	KARA-010E	6,730	7,670	8,670	-	-	-
SRN0199M6	KAKA-020E	11,460	12,930	14,220	-	-	-
SRN0200M6	ERCA-021E	13,090	15,010	16,980	-	-	-
SRN0310M6	ERFA-031E	19,710	22,540	25,370	-	-	-
SRN0500M6	2DC3R53KE	32,750	37,320	42,410	48,030	54,190	60,880

120°F Condensing Temperature, 8°F Subcooling

For additional capacity sizes and options, please contact the factory at 800-537-7775

PERFORMANCE DATA - SRN Models

R-404A/R-507 Models - Low Temperature

Model	Compressor	Capacity BTUH					
		Suction Temperature					
		-40°F	-30°F	-25°F	-20°F	-10°F	0°F
SRN0150L6	KALA-016E	2,790	4,620	5,510	6,470	8,480	11,020
SRN0200L6	EADA-020E	3,240	5,130	6,150	7,310	9,960	13,250
SRN0210L6	EAVA-021E	3,720	5,610	6,890	8,270	11,550	15,370
SRN0310L6	LAHA-032E	5,300	8,790	10,920	13,250	18,660	24,910
SRN0310E6	LACA-032E	7,930	11,960	14,310	17,070	-	-
SRN0311L6	2DF3F16KE	9,250	13,760	16,320	19,080	25,330	32,860
SRN0400L6	2DL3F20KE	11,670	16,890	19,820	23,110	30,530	39,330
SRN0599L6	2DA3F23KE	13,860	19,840	23,110	26,710	34,870	44,630
SRN0600L6	2DB3F25KE	14,580	21,030	24,700	28,620	37,520	48,120
SRN0601L6	3DA3F28KE	17,190	24,080	27,980	32,330	42,080	53,640
SRN0750L6	3DB3F33KE	20,490	28,810	33,390	38,370	49,710	63,280
SRN0900L6	3DF3F40KE	25,140	35,020	40,700	46,850	60,950	77,800
SRN1000L6	3DS3F46KE	28,520	39,690	46,000	52,890	68,260	86,180
SRN1500L6	4DHN63KE	39,900	55,780	64,020	72,720	92,330	116,390
SRN2200L6	4DJNF76KE	45,370	65,300	75,790	86,710	110,880	138,750

110°F Condensing Temperature, 6°F Subcooling

R-407A Models - Low Temperature

Model	Compressor	Capacity BTUH					
		Suction Temperature					
		-40°F	-30°F	-25°F	-20°F	-10°F	0°F
SRN0311L6	2DF3F16KE	6,350	10,500	12,740	15,220	21,210	29,180
SRN0400L6	2DL3F20KE	7,850	12,520	15,330	18,460	25,730	34,370
SRN0599L6	2DA3F23KE	9,320	14,700	17,910	21,500	29,890	40,040
SRN0600L6	2DB3F25KE	10,600	16,300	19,560	23,170	31,720	42,410
SRN0601L6	3DA3F28KE	10,750	18,130	22,120	26,430	36,460	49,010
SRN0750L6	3DB3F33KE	13,890	22,970	27,720	32,790	44,390	58,830
SRN0900L6	3DF3F40KE	16,470	26,880	32,790	39,250	54,000	71,540
SRN1000L6	3DS3F46KE	18,040	29,630	35,930	42,740	58,350	77,450
SRN1500L6	4DHN63KE	28,450	43,070	51,460	60,600	81,260	105,290
SRN2200L6	4DJNF76KE	40,290	53,630	63,060	74,260	101,740	135,580

110°F Condensing Temperature, 6°F Subcooling
Demand Cooling is REQUIRED

For additional capacity sizes and options, please contact the factory at 800-537-7775

PERFORMANCE DATA - SRN Models

R-407C Models - Low Temperature

Model	Compressor	Capacity BTUH					
		Suction Temperature					
		-40°F	-30°F	-25°F	-20°F	-10°F	0°F
SRN0311L6	2DF3F16KE	5,590	9,760	11,950	14,300	19,820	26,920
SRN0400L6	2DL3F20KE	6,900	11,630	14,360	17,350	24,040	31,710
SRN0599L6	2DA3F23KE	8,180	13,640	16,770	20,190	27,930	36,930
SRN0600L6	2DB3F25KE	9,300	15,090	18,300	21,760	29,650	39,120
SRN0601L6	3DA3F28KE	9,490	16,140	19,990	24,240	34,060	45,810
SRN0750L6	3DB3F33KE	12,260	20,350	24,930	29,930	41,340	54,900
SRN0900L6	3DF3F40KE	14,550	23,900	29,630	36,000	50,440	66,870
SRN1000L6	3DS3F46KE	15,920	26,350	32,470	39,190	54,510	72,390
SRN1500L6	4DHNF63KE	24,210	37,800	45,660	54,340	74,550	99,190
SRN2200L6	4DJNF76KE	30,550	46,820	55,410	64,780	87,200	116,830

110°F Condensing Temperature, 6°F Subcooling. Demand Cooling is REQUIRED

R-407F Models - Low Temperature

Model	Compressor	Capacity BTUH					
		Suction Temperature					
		-40°F	-30°F	-25°F	-20°F	-10°F	0°F
SRN0311L6	2DF3F16KE	6,350	10,500	12,740	15,220	21,210	29,180
SRN0400L6	2DL3F20KE	7,850	12,520	15,330	18,460	25,730	34,370
SRN0599L6	2DA3F23KE	9,320	14,700	17,910	21,500	29,890	40,040
SRN0600L6	2DB3F25KE	10,600	16,300	19,560	23,170	31,720	42,410
SRN0601L6	3DA3F28KE	10,750	18,130	22,120	26,430	36,460	49,010
SRN0750L6	3DB3F33KE	13,890	22,970	27,720	32,790	44,390	58,830
SRN0900L6	3DF3F40KE	16,470	26,880	32,790	39,250	54,000	71,540
SRN1000L6	3DS3F46KE	18,040	29,630	35,930	42,740	58,350	77,450
SRN1500L6	4DHNF63KE	28,450	43,070	51,460	60,600	81,260	105,290
SRN2200L6	4DJNF76KE	40,290	53,630	63,060	74,260	101,740	135,580

110°F Condensing Temperature, 6°F Subcooling. Demand Cooling is REQUIRED

PERFORMANCE DATA - SRN Models
R-448A/R-449A Models - Low Temperature

Model	Compressor	Capacity BTUH					
		Suction Temperature					
		-40°F	-30°F	-25°F	-20°F	-10°F	0°F
SRN0150L6	KALA-016E	1,350	2,320	3,000	3,830	5,940	8,710
SRN0200L6	EADA-020E	2,050	3,750	4,780	5,920	8,560	11,600
SRN0210L6	EAVA-021E	3,720	5,610	6,840	8,250	11,550	15,420
SRN0310L6	LAHA-032E	3,140	6,750	8,840	11,120	16,390	22,710
SRN0310E6	LACA-032E	5,780	9,400	-	-	-	-
SRN0311L6	2DF3F16KE	7,030	11,040	13,300	15,830	22,040	30,280
SRN0400L6	2DL3F20KE	8,700	13,180	16,010	19,210	26,740	35,700
SRN0599L6	2DA3F23KE	9,580	15,350	18,700	22,410	31,020	41,470
SRN0600L6	2DB3F25KE	10,360	16,930	20,420	24,180	32,880	43,850
SRN0601L6	3DA3F28KE	12,990	19,250	23,090	27,450	37,930	50,990
SRN0750L6	3DB3F33KE	15,370	24,180	28,950	34,120	46,090	61,010
SRN0900L6	3DF3F40KE	17,650	28,320	34,290	40,840	56,230	75,480
SRN1000L6	3DS3F46KE	19,370	31,060	37,610	44,810	61,690	82,800
SRN1500L6	4DHNF63KE	22,760	37,230	44,780	52,690	70,130	90,530
SRN2200L6	4DJNF76KE	33,120	54,660	65,850	77,770	10,5070	139,180

110°F Condensing Temperature, 6°F Subcooling. Demand Cooling is REQUIRED

For additional capacity sizes and options, please contact the factory at 800-537-7775

ELECTRICAL DATA - SRN MODELS

Medium Temperature

Model Number	Compressor Number	Power Supply			Compressor		Beacon II™ or Air Defrost		Low Amps				High Amps			
		Volt	Ph	Hz	RLA	LRA	MCA	MOPD	Electric Defrost		Def. Htr.*	Evap. Fan	Electric Defrost		Def. Htr.*	Evap. Fan
									MCA	MOPD			MCA	MOPD		
SRN0090M6B	KARB-010E	208-230	1	60	6.4	40.0	15.0	15	15.0	15	10 (1)	3	-	-	-	-
SRN0090M6C	KARA-010E	208-230	3	60	3.8	27.0	15.0	15	15.0	15	10 (1)	3	-	-	-	-
SRN0199M6B	KAKB-021E	208-230	1	60	9.1	55.0	15.0	20	25.0	25	20 (1)	6	50.0	50	40 (1)	12
SRN0199M6C	KAKA-020E	208-230	3	60	5.8	50.0	15.0	15	25.0	25	20 (1)	6	-	-	-	-
SRN0200M6C	ERCA-021E	208-230	3	60	7.9	46.0	15.0	15	25.0	25	20 (1)	6	-	-	-	-
SRN0310M6G	ERFB-031E	230	1	60	15.3	86.0	20.0	30	25.1	40	20 (1)	6	50.0	50	40 (1)	12
SRN0310M6C	ERFA-031E	208-230	3	60	11.2	82.0	15.0	25	25.0	30	20 (1)	6	50.0	50	40 (1)	12
SRN0310M6D	ERFA-031E	460	3	60	5.2	41.0	15.0	15	15.0	15	10 (1)	3	25.0	25	20 (1)	6
SRN0310M6E	ERFA-031E	575	3	60	4.5	30.0	15.0	15	15.0	15	8 (1)	3	20.0	20	16 (1)	5
SRN0500M6C	2DC3R53KE	208-230	3	60	20.0	120.0	25.0	45	31.0	50	20 (1)	6	50.0	50	40 (1)	12
SRN0500M6D	2DC3R53KE	460	3	60	9.4	60.0	15.0	20	15.0	20	10 (1)	3	25.0	25	20 (1)	6
SRN0500M6E	2DC3R53KE	575	3	60	6.9	49.0	15.0	15	15.0	15	8 (1)	3	20.0	20	16 (1)	5

*Number of defrost heater contactors in parentheses

RLA - Rated Load Amps

MCA - Minimum Circuit Ampacity

LRA - Locked Rotor Amps

MOPD - Maximum Overcurrent Protection Device

For additional capacity sizes and options, please contact the factory at 800-537-7775

ELECTRICAL DATA - SRN MODELS

Low Temperature

Model Number	Compressor Number	Power Supply		Compressor		Beacon II™ or Air Defrost		Low Amps				High Amps				
								Electric Defrost		Def. Htr.*	Evap. Fan	Electric Defrost		Def. Htr.*	Evap. Fan	
		Volt	Ph	Hz	RLA	LRA	MCA	MOPD	MCA	MOPD	Amps	Amps	MCA	MOPD	Amps	Amps
SRN0150L6B	KALB-015E	208-230	1	60	8.9	55.0	15.0	20	25.0	25	20 (1)	6	-	-	-	-
SRN0150L6C	KALA-016E	208-230	3	60	5.0	50.0	15.0	15	25.0	25	20 (1)	6	-	-	-	-
SRN0150L6D	KALA-016E	460	3	60	3.1	25.0	15.0	15	15.0	15	10 (1)	3	-	-	-	-
SRN0200L6G	EADB-021E	230	1	60	9.0	58.0	15.0	20	25.0	25	20 (1)	6	-	-	-	-
SRN0200L6C	EADA-020E	208-230	3	60	6.1	46.0	15.0	15	25.0	25	20 (1)	6	-	-	-	-
SRN0210L6B	EAVB-021E	208-230	1	60	13.2	102.0	20.0	25	25.0	35	20 (1)	6	-	-	-	-
SRN0210L6C	EAVA-021E	208-230	3	60	6.6	50.0	15.0	15	25.0	25	20 (1)	6	-	-	-	-
SRN0210L6D	EAVA-021E	460	3	60	2.9	26.6	15.0	15	15.0	15	10 (1)	3	-	-	-	-
SRN0210L6E	EAVA-021E	575	3	60	2.8	20.0	15.0	15	15.0	15	8 (1)	3	-	-	-	-
SRN0310L6G	LAHB-032E	230	1	60	15.0	105.0	20.0	30	25.0	35	20 (1)	6	50.0	50	40 (1)	12
SRN0310L6C	LAHA-032E	208-230	3	60	11.5	112.0	15.0	25	25.0	30	20 (1)	6	50.0	50	40 (1)	12
SRN0310L6D	LAHA-032E	460	3	60	5.4	56.0	15.0	15	15.0	15	10 (1)	3	25.0	25	20 (1)	6
SRN0310L6E	LAHA-032E	575	3	60	3.7	30.0	15.0	15	15.0	15	8 (1)	3	20.0	20	16 (1)	5
SRN0310E6G	LACB-032E	230	1	60	13.9	105.0	20.0	30	25.0	35	20 (1)	6	50.0	50	40 (1)	12
SRN0310E6C	LACA-032E	208-230	3	60	11.5	112.0	15.0	25	25.0	30	20 (1)	6	50.0	50	40 (1)	12
SRN0310E6D	LACA-032E	460	3	60	5.4	56.0	15.0	15	15.0	15	10 (1)	3	25.0	25	20 (1)	6
SRN0311L6G	2DF3F16KE	230	1	60	22.9	125.0	28.7	50	34.7	50	20 (1)	6	50.0	60	40 (1)	12
SRN0311L6C	2DF3F16KE	208-230	3	60	14.4	102.0	20.0	30	25.0	35	20 (1)	6	50.0	50	40 (1)	12
SRN0311L6D	2DF3F16KE	460	3	60	7.1	52.0	15.0	15	15.0	15	10 (1)	3	25.0	25	20 (1)	6
SRN0311L6E	2DF3F16KE	575	3	60	6.0	41.0	15.0	15	15.0	15	8 (1)	3	20.0	20	16 (1)	5
SRN0400L6C	2DL3F20KE	208-230	3	60	23.6	161.0	29.5	50	35.5	50	20 (1)	6	50.0	60	40 (1)	12
SRN0400L6D	2DL3F20KE	460	3	60	9.2	60.0	15.0	20	15.0	20	10 (1)	3	25.0	25	20 (1)	6
SRN0400L6E	2DL3F20KE	575	3	60	6.9	49.0	15.0	15	15.0	15	8 (1)	3	20.0	20	16 (1)	5
SRN0599L6C	2DA3F23KE	208-230	3	60	25.8	161.0	32.3	50	38.3	60	20 (1)	6	50.0	70	40 (1)	12
SRN0599L6D	2DA3F23KE	460	3	60	9.2	60.0	15.0	20	15.0	20	10 (1)	3	25.0	25	20 (1)	6
SRN0599L6E	2DA3F23KE	575	3	60	8.1	49.0	15.0	15	15.0	20	8 (1)	3	20.0	20	16 (1)	5
SRN0600L6C	2DB3F25KE	208-230	3	60	25.3	161.0	31.7	50	37.7	60	20 (1)	6	50.0	60	40 (1)	12
SRN0600L6D	2DB3F25KE	460	3	60	11.9	80.0	15.0	25	20.0	25	10 (1)	3	25.0	30	20 (1)	6
SRN0600L6E	2DB3F25KE	575	3	60	8.6	63.0	15.0	15	15.0	20	8 (1)	3	20.0	20	16 (1)	5
SRN0601L6C	3DA3F28KE	208-230	3	60	24.0	150.0	30.1	50	36.1	60	20 (1)	6	50.0	60	40 (1)	12
SRN0601L6D	3DA3F28KE	460	3	60	10.8	77.0	15.0	20	20.0	25	10 (1)	3	25.0	30	20 (1)	6
SRN0601L6E	3DA3F28KE	575	3	60	9.4	62.0	15.0	20	15.0	20	8 (1)	3	20.0	25	16 (1)	5
SRN0750L6C	3DB3F33KE	208-230	3	60	27.6	161.0	34.5	60	50.0	70	40 (1)	12	87.5	90	70 (2)	16
SRN0750L6D	3DB3F33KE	460	3	60	14.1	83.0	20.0	30	25.0	35	20 (1)	6	50.0	50	40 (1)	12
SRN0750L6E	3DB3F33KE	575	3	60	9.9	67.0	15.0	20	20.0	25	16 (1)	5	40.0	40	32 (1)	10
SRN0900L6C	3DF3F40KE	208-230	3	60	33.2	215.0	41.5	70	53.5	80	40 (1)	12	87.5	90	70 (2)	16
SRN0900L6D	3DF3F40KE	460	3	60	15.0	106.0	20.0	30	25.0	35	20 (1)	6	50.0	50	40 (1)	12
SRN0900L6E	3DF3F40KE	575	3	60	14.1	84.0	20.0	30	22.6	35	16 (1)	5	40.0	40	32 (1)	10
SRN1000L6C	SDS3F46KE	208-230	3	60	37.2	215.0	46.5	80	58.5	90	40 (1)	12	87.5	90	70 (2)	16
SRN1000L6D	SDS3F46KE	460	3	60	16.7	106.0	20.8	35	26.8	40	20 (1)	6	50.0	50	40 (1)	12
SRN1000L6E	SDS3F46KE	575	3	60	14.6	84.0	20.0	30	23.2	35	16 (1)	5	40.0	40	32 (1)	10
SRN1500L6C	4DL3F63KE	208-230	3	60	47.2	278.0	59.0	100	87.5	110	70 (2)	16	120.0	125	96 (2)	25
SRN1500L6D	4DL3F63KE	460	3	60	23.6	139.0	29.5	50	50.0	60	40 (1)	12	87.5	90	70 (2)	16
SRN1500L6E	4DL3F63KE	575	3	60	18.8	113.0	23.5	40	40.0	50	32 (1)	10	70.0	70	56 (2)	12
SRN2200L6C	4DT3F76KE	208-230	3	60	59.2	374.0	74.0	125	90.0	125	70 (2)	16	120.0	150	96 (2)	25
SRN2200L6D	4DT3F76KE	460	3	60	29.6	187.0	37.0	60	50.0	70	40 (1)	12	87.5	90	70 (2)	16
SRN2200L6E	4DT3F76KE	575	3	60	21.7	135.0	27.1	45	40.0	50	32 (1)	10	70.0	70	56 (2)	12

*Number of defrost heater contactors in parentheses

RLA - Rated Load Amps

MCA - Minimum Circuit Ampacity

LRA - Locked Rotor Amps

MOPD - Maximum Overcurrent Protection Device

For additional capacity sizes and options, please contact the factory at 800-537-7775

PHYSICAL DATA - SRN MODELS

Medium Temperature

Model	Compressor	Connections (in.)				90% Rec. Capacity (Lbs.)	Dimensions (in.)				Approx. Net Wt. (Lbs.)
		Suction	Discharge	Liquid Line	Condenser Return		FIG. #	H	W	D	
SRN0090M6	KARA-010E	7/8	1/2	3/8	1/2	26	A	36-3/8	23-3/4	35	160
SRN0199M6	KAKA-020E	7/8	1/2	3/8	1/2	26	A	36-3/8	23-3/4	35	200
SRN0200M6	ERCA-021E	7/8	1/2	3/8	1/2	26	A	36-3/8	23-3/4	35	245
SRN0310M6	ERFA-031E	1-1/8	5/8	1/2	5/8	57	A	39-1/4	26-3/4	40	305
SRN0500M6	2DC3R53KE	1-3/8	7/8	5/8	5/8	57	A	39-1/4	30-3/8	42	375

Low Temperature

Model	Compressor	Connections (in.)				90% Rec. Capacity (Lbs.)	Dimensions (in.)				Approx. Net Wt. (Lbs.)
		Suction	Discharge	Liquid Line	Condenser Return		FIG. #	H	W	D	
SRN0150L6	KALA-016E	7/8	1/2	3/8	3/8	26	A	36-3/8	23-3/4	35	175
SRN0200L6	EADA-020E	7/8	1/2	3/8	1/2	26	A	36-3/8	23-3/4	35	305
SRN0210L6	EAVA-021E	7/8	1/2	3/8	1/2	26	A	36-3/8	23-3/4	35	305
SRN0310L6	LAHA-032E	1-1/8	5/8	1/2	5/8	26	A	39-1/4	26-3/4	40	305
SRN0310E6	LACA-032E	1-1/8	5/8	1/2	5/8	26	A	39-1/4	26-3/4	40	305
SRN0311L6	2DF3F16KE	1-3/8	7/8	1/2	5/8	57	A	39-1/4	26-3/4	40	320
SRN0400L6	2DL3F20KE	1-3/8	7/8	1/2	5/8	57	A	39-1/4	26-3/4	40	360
SRN0599L6	2DA3F23KE	1-3/8	7/8	5/8	5/8	57	A	39-1/4	30-3/8	42	390
SRN0600L6	2DB3F25KE	1-3/8	7/8	5/8	5/8	57	A	39-1/4	30-3/8	42	390
SRN0601L6	3DA3F28KE	1-3/8	1-1/8	5/8	5/8	57	A	39-1/4	30-3/8	42	405
SRN0750L6	3DB3F33KE	1-5/8	1-1/8	5/8	7/8	106	A	43-1/2	35-3/8	47	385
SRN0900L6	3DF3F40KE	1-5/8	1-1/8	5/8	7/8	106	A	43-1/2	35-3/8	47	465
SRN1000L6	3DS3F46KE	1-5/8	1-1/8	7/8	7/8	106	A	43-1/2	35-3/8	47	595
SRN1500L6	4DL3F63KE	2-1/8	1-1/8	7/8	7/8	106	A	43-1/2	35-3/8	47	655
SRN2200L6	4DT3F76KE	2-1/8	1-1/8	7/8	7/8	106	A	43-1/2	35-3/8	47	725

NOTES: Receiver refrigerant holding capacity refers to the weight of the type of refrigerant indicated by the model number (i.e. M6, L6, E6 = R-404A/R-507)
 Figures are located on page 15 of this technical bulletin.
 Dimensions are maximum dimensions with options. Please refer to submittal drawings for specific model dimensions

For additional capacity sizes and options, please contact the factory at 800-537-7775

FEATURES & BENEFITS -ZRN MODELS

The indoor ZRN remote compressor unit is designed for use in supermarket, restaurant, warehouse, commercial and industrial refrigeration applications. When space is at a premium, and flexibility of installation matters, the ZRN product line provides ease of installation with required components factory installed on remote compressor units.

Construction

- Large, pre-painted electrical enclosure
- Factory installed fixed high and low pressure switches
- Adjustable low pressure switch available on low temperature models
- Pump down switch for ease of troubleshooting and service
- 230V control transformer on 460V models for simplified control circuits
- Liquid line filter drier and sight glass to verify system operation (optional on ZWN style)

Serviceability

- Easily accessible refrigerant piping and access ports
- Removable electrical panel door with captive fasteners

Quality

- Formed tubing minimizes brazed joints and reduces the potential for leaks
- Shipped with a holding charge of dry nitrogen to ensure the system is leak free
- Assembled on a heavy duty base plate to provide years of trouble free service
- Non-metallic conduit on all wiring outside of the electrical enclosure to protect wiring integrity

Components

- Scroll compressors
- Vibration isolation mounts on all scroll compressors
- Integrated discharge check valve
- Discharge high pressure safety switch

OPTIONS - ZRN MODELS

Features & Options	Small	Large	Notes
Controls			
High Pressure	Standard	Standard	Fixed
Low Pressure	Standard	Standard	Fixed (HT/MT), Adjustable (LT)
Dual Pressure Control	-	Option	
Control Transformer	Standard	Standard	Available on 460V and 575V Models only
Liquid Line			
Receiver	Standard	Standard	
Filter Drier & Sight Glass	Option	Standard	
Replaceable Core Filter & Sight Glass	-	Option	
Solenoid Valve	Option	Option	
Pumpdown Switch	Standard	Standard	
Suction Line			
Filter	Option	Option	
Replaceable Core Filter	-	Option	
Accumulator	Option	Option	
Discharge Line			
Oil Separator	-	Option	
Fixed Head Pressure Control	Option	Option	
Defrost			
Timer, Off-Cycle (Air)	Option	Option	
Timer, Electric	Option	-	
Timer, Electric w/ Contactor	Option	Option	
Remote Load Fusing	-	Option	
Beacon II	Option	-	
Miscellaneous			
Crankcase Heater	Option	Option	
Compressor Circuit Breaker	-	Option	Includes Circuit Breaker in control circuit
Two-high Rack	Option	Option	

PERFORMANCE DATA - ZRN MODELS

R-404A/R-507, Models - Extended Temperature

Model	Compressor	Capacity BTUH						
		Suction Temperature						
		-20°F	-10°F	0°F	10°F	20°F	30°F	40°F
ZRN020X6	ZS15KAE	6,990	8,820	11,020	13,500	16,520	19,980	23,980
ZRN025X6	ZS19KAE	8,620	10,910	13,500	16,630	20,300	24,620	29,590
ZRN030X6	ZS21KAE	9,830	12,200	15,120	18,470	22,460	27,220	32,830
ZRN035X6	ZS26KAE	12,200	15,230	18,790	23,110	28,190	34,020	40,930
ZRN045X6	ZS29KAE	13,720	17,280	21,490	26,570	32,400	39,200	47,090
ZRN055X6	ZS38K4E	17,170	21,380	26,460	32,510	39,740	48,170	58,320
ZRN060X6	ZS45K4E	20,950	25,920	31,970	39,100	47,630	57,780	69,660

120°F Condensing Temperature, 8°F Subcooling
 Max 40°F Superheat Limit

R-407A Models - Extended Temperature

Model	Compressor	Capacity BTUH						
		Suction Temperature						
		-20°F	-10°F	0°F	10°F	20°F	30°F	40°F
ZRN020X6	ZS15KAE	-	8,310	10,540	13,100	16,170	19,910	24,500
ZRN025X6	ZS19KAE	-	9,370	11,900	14,790	18,240	22,460	27,640
ZRN030X6	ZS21KAE	-	11,300	15,080	19,340	24,240	29,970	36,710
ZRN035X6	ZS26KAE	-	12,550	16,740	21,460	26,900	33,270	40,750
ZRN045X6	ZS29KAE	-	14,060	18,760	24,040	30,140	37,270	45,660
ZRN055X6	ZS38K4E	-	19,160	24,910	31,870	39,910	48,940	58,820
ZRN060X6	ZS45K4E	-	23,260	30,110	38,360	47,930	58,750	70,740

120°F Condensing Temperature, 8°F Subcooling
 Max 20°F Superheat Limit

R-407C Models - Extended Temperature

Model	Compressor	Capacity BTUH						
		Suction Temperature						
		-20°F	-10°F	0°F	10°F	20°F	30°F	40°F
ZRN020X6	ZS15KAE	-	6,030	9,120	12,340	15,770	19,520	23,690
ZRN025X6	ZS19KAE	-	6,800	10,300	13,920	17,790	22,030	26,730
ZRN030X6	ZS21KAE	-	9,140	13,830	18,690	23,900	29,580	35,900
ZRN035X6	ZS26KAE	-	10,140	15,340	20,740	26,510	32,820	39,830
ZRN045X6	ZS29KAE	-	11,360	17,190	23,250	29,710	36,780	44,650
ZRN055X6	ZS38K4E	-	19,110	24,850	31,790	39,820	48,810	58,670
ZRN060X6	ZS45K4E	-	23,200	30,040	38,260	47,810	58,600	70,570

120°F Condensing Temperature, 8°F Subcooling
 Max 20°F Superheat Limit

PERFORMANCE DATA - ZRN MODELS

R-448A/R-449A Models - Extended Temperature

Model	Compressor	Capacity BTUH						
		Suction Temperature						
		-20°F	-10°F	0°F	10°F	20°F	30°F	40°F
ZRN020X6	ZS15KAE	-	8,160	10,100	12,350	15,200	18,950	23,890
ZRN025X6	ZS19KAE	-	9,170	11,350	13,880	17,090	21,300	26,850
ZRN030X6	ZS21KAE	-	11,170	15,270	19,870	25,100	31,080	37,930
ZRN035X6	ZS26KAE	-	12,550	16,020	20,630	26,410	33,440	41,770
ZRN045X6	ZS29KAE	-	14,180	19,370	25,210	31,850	39,440	48,140
ZRN055X6	ZS38K4E	-	19,340	24,970	32,320	41,110	51,050	61,860
ZRN060X6	ZS45K4E	-	23,490	30,110	38,800	49,270	61,210	74,320

120°F Condensing Temperature, 8°F Subcooling
 Max 20°F Superheat Limit

PERFORMANCE DATA - ZRN MODELS

R-404A/R-507 Models - Medium Temperature

Model	Compressor	Capacity BTUH			
		Suction Temperature			
		10°F	20°F	30°F	40°F
ZRN0650M6	ZB50KCE	44,500	56,380	69,010	83,380
ZRN0700M6	ZB58KCE	50,110	62,320	76,030	92,020
ZRN0750M6	ZB66KCE	57,240	70,200	85,320	102,600
ZRN0860M6	ZB76KCE	68,360	83,380	101,200	122,040
ZRN1000M6	ZS92K4E	82,620	100,440	122,040	145,800
ZRN1400M6	ZS11M4E	95,040	115,560	139,320	166,320

120°F Condensing Temperature, 8°F Subcooling

R-407A Models - Medium Temperature

Model	Compressor	Capacity BTUH			
		Suction Temperature			
		10°F	20°F	30°F	40°F
ZRN0650M6	ZB48KCE	40,440	51,660	64,790	79,800
ZRN0700M6	ZB58K5E	47,620	60,390	74,730	92,270
ZRN0750M6	ZB66K5E	52,730	67,600	84,990	104,540
ZRN0860M6	ZB76K5E	65,040	80,950	99,400	122,240
ZRN1000M6	ZB95K5E	75,910	98,190	123,900	152,630
ZRN1400M6	ZB114K5E	90,300	117,210	148,390	183,120

120°F Condensing Temperature, 8°F Subcooling

R-407C Models - Medium Temperature

Model	Compressor	Capacity BTUH			
		Suction Temperature			
		10°F	20°F	30°F	40°F
ZRN0650M6	ZB50KCE	38,460	49,950	63,100	78,280
ZRN0700M6	ZB58KCE	43,580	56,780	72,010	89,660
ZRN0750M6	ZB66KCE	50,540	64,440	81,010	100,630
ZRN0860M6	ZB76KCE	61,370	77,210	96,230	118,850
ZRN1000M6	ZB95K5E	71,910	93,300	118,830	149,090
ZRN1400M6	ZB114K5E	-	111,650	140,460	174,600

120°F Condensing Temperature, 8°F Subcooling

R-448A/R-449A Models - Medium Temperature

Model	Compressor	Capacity BTUH			
		Suction Temperature			
		10°F	20°F	30°F	40°F
ZRN0650M6	ZB48KCE	42,060	53,200	66,140	81,400
ZRN0700M6	ZB58K5E	48,350	62,370	77,800	95,470
ZRN0750M6	ZB66K5E	56,050	71,270	88,250	107,670
ZRN0860M6	ZB76K5E	65,480	82,880	102,540	125,300
ZRN1000M6	ZB95K5E	75,790	98,890	125,810	159,020
ZRN1400M6	ZB114K5E	90,330	118,250	150,930	191,100

120°F Condensing Temperature, 8°F Subcooling

For additional capacity sizes and options, please contact the factory at 800-537-7775

PERFORMANCE DATA - ZRN MODELS

R-404A/R-507 Models - Low Temperature

Model	Compressor	Capacity BTUH				
		Suction Temperature				
		-40°F	-30°F	-20°F	-10°F	0°F
ZRN020L6	ZF06K4E	4,450	5,900	7,520	9,380	11,550
ZRN025L6	ZF08K4E	5,770	7,480	9,510	11,870	14,730
ZRN030L6	ZF09K4E	6,440	8,360	10,580	13,140	16,320
ZRN035L6	ZF11K4E	8,020	10,390	13,140	16,430	20,350
ZRN045L6	ZF13K4E	8,950	11,660	14,840	18,760	23,430
ZRN055L6	ZF15K4E	11,340	14,630	18,550	23,210	28,730
ZRN060L6	ZF18K4E	13,670	17,810	22,470	27,980	34,560
ZRN0750L6	ZF24K4E	16,320	21,310	27,240	34,130	42,190

110°F Condensing Temperature, 6°F Subcooling

R-407A Models - Low Temperature

Model	Compressor	Capacity BTUH				
		Suction Temperature				
		-40°F	-30°F	-20°F	-10°F	0°F
ZRN020L6	ZF06K4E	3,760	5,050	6,640	8,550	10,810
ZRN025L6	ZF08K4E	4,650	6,240	8,200	10,560	13,340
ZRN030L6	ZF09K4E	5,380	6,940	9,210	11,890	14,690
ZRN035L6	ZF11K4E	6,680	8,610	11,450	14,840	18,390
ZRN045L6	ZF13K4E	7,740	9,700	12,810	16,820	21,500
ZRN055L6	ZF15K4E	9,770	12,180	15,880	20,700	26,450
ZRN060L6	ZF18K4E	11,780	14,800	19,290	25,030	31,780
ZRN0750L6	ZF25K4E	14,760	18,550	24,190	31,380	39,840

110°F Condensing Temperature, 6°F Subcooling

R-407C Models - Low Temperature

Model	Compressor	Capacity BTUH				
		Suction Temperature				
		-40°F	-30°F	-20°F	-10°F	0°F
ZRN020L6	ZF06K4E	3,510	4,760	6,230	8,030	10,250
ZRN030L6	ZF09K4E	5,030	6,580	8,710	11,250	14,030
ZRN035L6	ZF11K4E	6,300	8,090	10,790	14,040	17,480
ZRN045L6	ZF13K4E	7,170	8,950	11,890	15,710	20,150
ZRN055L6	ZF15K4E	9,050	11,250	14,800	19,390	24,740
ZRN060L6	ZF18K4E	10,990	13,720	17,970	23,410	29,730
ZRN0750L6	ZF25K4E	13,780	17,200	22,530	29,360	37,270

110°F Condensing Temperature, 6°F Subcooling

PERFORMANCE DATA - ZRN MODELS

R-448A/R-449A Models - Low Temperature

Model	Compressor	Capacity BTUH				
		Suction Temperature				
		-40°F	-30°F	-20°F	-10°F	0°F
ZRN020L6	ZF06K4E	3,860	5,240	6,850	8,740	10,980
ZRN025L6	ZF08K4E	5,020	6,660	8,660	11,080	13,990
ZRN030L6	ZF09K4E	5,660	7,470	9,650	12,290	15,470
ZRN035L6	ZF11K4E	7,060	9,280	12,010	15,340	19,340
ZRN045L6	ZF13K4E	8,160	10,590	13,840	17,900	22,780
ZRN055L6	ZF15K4E	103,10	13,320	17,230	22,100	27,980
ZRN060L6	ZF18K4E	125,30	16,230	20,910	26,660	33,600
ZRN0750L6	ZF25K4E	155,80	19,890	25,790	33,300	42,430

110°F Condensing Temperature, 6°F Subcooling

ELECTRICAL DATA - ZRN MODELS

Medium & Extended Temperature

Model Number	Compressor Number	Electrical Data																
		Power Supply			Compressor		Beacon II™ or Air Defrost		Low Amps		High Amps		Electric Defrost		Def. Htr.*		Evap. Fan	
		Volt	Ph	Hz	RLA	LRA	MCA	MOPD	MCA	MOPD	Amps	Amps	MCA	MOPD	Amps	Amps	MCA	MOPD
ZRN020X6B	ZS15KAE	208-230	1	60	14.1	68.0	20.0	30	37.5	40	30 (1)	12	-	-	-	-		
ZRN020X6C	ZS15KAE	208-230	3	60	9.6	58.0	15.0	20	37.5	40	30 (1)	12	-	-	-	-		
ZRN020X6D	ZS15KAE	460	3	60	4.8	29.0	15.0	15	23.8	25	19 (1)	10	-	-	-	-		
ZRN025X6B	ZS19KAE	208-230	1	60	16.2	75.0	20.2	35	37.5	45	30 (1)	12	-	-	-	-		
ZRN025X6C	ZS19KAE	208-230	3	60	12.3	73.0	20.0	25	37.5	40	30 (1)	12	-	-	-	-		
ZRN025X6D	ZS19KAE	460	3	60	5.8	38.0	15.0	15	23.8	25	19 (1)	10	-	-	-	-		
ZRN030X6B	ZS21KAE	208-230	1	60	20.8	112.0	26.0	45	38.0	45	30 (1)	12	-	-	-	-		
ZRN030X6C	ZS21KAE	208-230	3	60	13.7	93.0	20.0	30	37.5	40	30 (1)	12	-	-	-	-		
ZRN030X6D	ZS21KAE	460	3	60	6.2	48.0	15.0	15	23.8	25	19 (1)	10	-	-	-	-		
ZRN035X6B	ZS26KAE	208-230	1	60	21.2	104.0	26.4	45	38.4	50	30 (1)	12	-	-	-	-		
ZRN035X6C	ZS26KAE	208-230	3	60	13.9	93.0	20.0	30	37.5	40	30 (1)	12	-	-	-	-		
ZRN035X6D	ZS26KAE	460	3	60	6.2	48.0	15.0	15	23.8	25	19 (1)	9	-	-	-	-		
ZRN045X6B	ZS29KAE	208-230	1	60	23.4	137.0	29.2	50	58.8	60	47 (1)	11	-	-	-	-		
ZRN045X6C	ZS29KAE	208-230	3	60	18.4	114.0	23.0	40	43.8	45	35 (1)	12	-	-	-	-		
ZRN045X6D	ZS29KAE	460	3	60	8.4	58.0	15.0	15	28.8	30	23 (1)	11	-	-	-	-		
ZRN055X6B	ZS38K4E	208-230	1	60	28.5	169.0	35.7	60	58.8	70	47 (1)	12	-	-	-	-		
ZRN055X6C	ZS38K4E	208-230	3	60	19.2	123.0	24.0	40	43.8	50	35 (1)	12	-	-	-	-		
ZRN055X6D	ZS38K4E	460	3	60	8.7	62.0	15.0	15	28.8	30	23 (1)	10	-	-	-	-		
ZRN060X6C	ZS45K4E	208-230	3	60	22.8	156.0	28.4	50	40.4	60	30 (1)	12	-	-	-	-		
ZRN060X6D	ZS45K4E	460	3	60	8.3	70.0	15.0	15	28.8	30	23 (1)	10.6	-	-	-	-		
ZRN0650M6C	ZB50KCE	208-230	3	60	25.6	196.0	32.1	50	50.0	60	40 (1)	12	70 (2)	16	87.5	90		
ZRN0650M6D	ZB50KCE	460	3	60	13.5	100.0	20.0	30	25.0	35	20 (1)	6	40 (1)	12	50.0	50		
ZRN0700M6C	ZB58KCE	208-230	3	60	27.6	195.0	34.5	60	50.0	70	40 (1)	12	70 (2)	16	87.5	90		
ZRN0700M6D	ZB58KCE	460	3	60	14.7	95.0	20.0	30	25.0	35	20 (1)	6	40 (1)	12	50.0	50		
ZRN0750M6C	ZB66KCE	208-230	3	60	26.9	225.0	33.7	60	50.0	70	40 (1)	12	70 (2)	16	87.5	90		
ZRN0750M6D	ZB66KCE	460	3	60	15.7	114.0	20.0	35	25.6	40	20 (1)	6	40 (1)	12	50.0	50		
ZRN0860M6C	ZB76KCE	208-230	3	60	37.2	239.0	46.5	80	58.5	90	40 (1)	12	70 (2)	16	87.5	90		
ZRN0860M6D	ZB76KCE	460	3	60	17.9	125.0	22.4	40	28.4	45	20 (1)	6	40 (1)	12	50.0	50		
ZRN1000M6C	ZS92K4E	208-230	3	60	47.4	350.0	59.3	100	87.5	110	70 (2)	16	96 (2)	25	120.0	125		
ZRN1000M6D	ZS92K4E	460	3	60	22.4	158.0	28.0	50	50.0	60	40 (1)	12	70 (2)	16	87.5	90		
ZRN1400M6C	ZS11M4E	208-230	3	60	53.8	425.0	67.3	110	87.5	125	70 (2)	16	96 (2)	25	120.0	125		
ZRN1400M6D	ZS11M4E	460	3	60	25.3	187.0	31.7	50	50.0	60	40 (1)	12	70 (2)	16	87.5	90		

*Number of defrost heater contactors in parentheses

RLA - Rated Load Amps

MCA - Minimum Circuit Ampacity

LRA - Locked Rotor Amps

MOPD - Maximum Overcurrent Protection Device

For additional capacity sizes and options, please contact the factory at 800-537-7775

ELECTRICAL DATA - ZRN MODELS

Low Temperature

Model Number	Compressor Number	Power Supply		Compressor		Beacon II™ or Air Defrost		Low Amps				High Amps				
								Electric Defrost		Def. Htr.*	Evap. Fan	Electric Defrost		Def. Htr.*	Evap. Fan	
								MCA	MOPD	Amps	Amps	MCA	MOPD	Amps	Amps	
Volt	Ph	Hz	RLA	LRA	MCA	MOPD	MCA	MOPD	Amps	Amps	MCA	MOPD	Amps	Amps		
ZRN020L6B	ZF06K4E	208-230	1	60	12.2	61.0	20.0	25	37.5	40	30 (1)	12	-	-	-	-
ZRN020L6C	ZF06K4E	208-230	3	60	8.3	55.0	15.0	15	23.8	25	19 (1)	6	-	-	-	-
ZRN020L6D	ZF06K4E	460	3	60	3.8	27.0	15.0	15	23.8	25	19 (1)	10	-	-	-	-
ZRN025L6B	ZF08K4E	208-230	1	60	14.7	73.0	20.0	30	37.5	45	30 (1)	12	-	-	-	-
ZRN025L6C	ZF08K4E	208-230	3	60	8.7	63.0	15.0	15	23.8	25	19 (1)	6	-	-	-	-
ZRN025L6D	ZF08K4E	460	3	60	4.5	31.0	15.0	15	23.8	25	19 (1)	10	-	-	-	-
ZRN030L6B	ZF09K4E	208-230	1	60	12.8	88.0	20.0	25	37.5	40	30 (1)	12	-	-	-	-
ZRN030L6C	ZF09K4E	208-230	3	60	8.7	77.0	15.0	15	23.8	25	19 (1)	6	-	-	-	-
ZRN030L6D	ZF09K4E	460	3	60	4.5	39.0	15.0	15	23.8	25	19 (1)	10	-	-	-	-
ZRN035L6B	ZF11K4E	208-230	1	60	18.6	109.0	23.2	40	37.5	50	30 (1)	12	-	-	-	-
ZRN035L6C	ZF11K4E	208-230	3	60	10.9	88.0	15.0	20	28.8	30	23 (1)	6	-	-	-	-
ZRN035L6D	ZF11K4E	460	3	60	5.8	44.0	15.0	15	23.8	25	19 (1)	10	-	-	-	-
ZRN045L6B	ZF13K4E	208-230	1	60	22.4	129.0	28.0	50	39.0	60	30 (1)	11	-	-	-	-
ZRN045L6C	ZF13K4E	208-230	3	60	11.9	99.0	15.0	25	37.5	40	30 (1)	11	-	-	-	-
ZRN045L6D	ZF13K4E	460	3	60	6.4	49.5	15.0	15	23.8	25	19 (1)	9	-	-	-	-
ZRN055L6B	ZF15K4E	208-230	1	60	24.7	169.0	30.8	50	40.8	60	30 (1)	10	-	-	-	-
ZRN055L6C	ZF15K4E	208-230	3	60	17.0	123.0	21.2	35	37.5	45	30 (1)	10	-	-	-	-
ZRN055L6D	ZF15K4E	460	3	60	8.0	62.0	15.0	15	23.8	25	19 (1)	8	-	-	-	-
ZRN060L6C	ZF18K4E	208-230	3	60	19.6	156.0	24.4	40	43.8	50	35 (1)	12	-	-	-	-
ZRN060L6D	ZF18K4E	460	3	60	8.0	70.0	15.0	15	28.8	30	23 (1)	11	-	-	-	-
ZRN0750L6C	ZF24K4E	208-230	3	60	23.4	189.0	29.2	50	35.2	50	20 (1)	6	40 (1)	12	50	60
ZRN0750L6D	ZF24K4E	460	3	60	11.9	99.0	15.0	25	20.0	25	10 (1)	3	20 (1)	6	25	30
ZRN1000L6C	ZF33K4E	208-230	3	60	31.4	278.0	39.3	70	51.3	80	40 (1)	12	40 (1)	12	51.3	80
ZRN1000L6D	ZF33K4E	460	3	60	17.3	127.0	21.6	35	27.6	40	20 (1)	6	20 (1)	6	27.6	40
ZRN1300L6C	ZF40K4E	208-230	3	60	40.4	350.0	50.5	90	62.5	100	40 (1)	12	40 (1)	12	62.5	100
ZRN1300L6D	ZF40K4E	460	3	60	19.9	158.0	24.8	40	30.8	50	20 (1)	6	20 (1)	6	30.8	50
ZRN1500L6C	ZF48K4E	208-230	3	60	49.4	425.0	61.7	110	73.7	110	40 (1)	12	70 (2)	16	87.5	125
ZRN1500L6D	ZF48K4E	460	3	60	21.8	187.0	27.2	50	33.2	50	20 (1)	6	40 (1)	12	50	60

*Number of defrost heater contactors in parentheses

RLA - Rated Load Amps

MCA - Minimum Circuit Ampacity

LRA - Locked Rotor Amps

MOPD - Maximum Overcurrent Protection Device

For additional capacity sizes and options, please contact the factory at 800-537-7775

PHYSICAL DATA - ZRN MODELS

Medium & Extended Temperature

Model	Compressor	Connections (in.)				90% Rec. Capacity (Lbs.)	Dimensions (in.)			Approx. Net Wt. (Lbs.)	
		Suction	Discharge	Liquid Line	Condenser Return		FIG. #	H	W		D
ZRN020X6	ZS15KAE	7/8	3/8	1/2	1/2	20	B	28	25	29	163
ZRN025X6	ZS19KAE	7/8	3/8	1/2	1/2	20	B	28	25	29	169
ZRN030X6	ZS21KAE	7/8	3/8	1/2	1/2	20	B	28	25	29	171
ZRN035X6	ZS26KAE	7/8	1/2	1/2	1/2	20	B	28	25	29	186
ZRN045X6	ZS29KAE	7/8	1/2	1/2	1/2	20	B	28	25	29	207
ZRN055X6	ZS38K4E	7/8	1/2	1/2	1/2	20	B	28	25	29	226
ZRN060X6	ZS45K4E	7/8	1/2	1/2	1/2	20	B	28	25	29	241
ZRN0650M6	ZB50KCE	1 3/8	7/8	5/8	5/8	106	A	43 1/2	35 3/8	47	192
ZRN0700M6	ZB58KCE	1 3/8	1 1/8	5/8	5/8	106	A	43 1/2	35 3/8	47	194
ZRN0750M6	ZB66KCE	1 3/8	1 1/8	5/8	5/8	106	A	43 1/2	35 3/8	47	195
ZRN0860M6	ZB76KCE	1 5/8	1 1/8	7/8	7/8	106	A	43 1/2	35 3/8	47	354
ZRN1000M6	ZS92K4E	1 5/8	1 1/8	7/8	7/8	149	A	43 1/2	35 3/8	47	442
ZRN1400M6	ZS11M4E	1 5/8	1 1/8	7/8	7/8	149	A	43 1/2	35 3/8	47	465

Low Temperature

Model	Compressor	Connections (in.)				90% Rec. Capacity (Lbs.)	Dimensions (in.)			Approx. Net Wt. (Lbs.)	
		Suction	Discharge	Liquid Line	Condenser Return		FIG. #	H	W		D
ZRN020L6	ZF06K4E	7/8	3/8	1/2	1/2	20	B	28	22	27	155
ZRN025L6	ZF08K4E	7/8	3/8	1/2	1/2	20	B	28	22	27	159
ZRN030L6	ZF09K4E	7/8	3/8	1/2	1/2	20	B	28	22	27	159
ZRN035L6	ZF11K4E	7/8	1/2	1/2	1/2	20	B	28	22	27	165
ZRN045L6	ZF13K4E	7/8	1/2	1/2	1/2	20	B	28	22	27	185
ZRN055L6	ZF15K4E	7/8	1/2	1/2	1/2	20	B	28	22	27	201
ZRN060L6	ZF18K4E	7/8	1/2	1/2	1/2	20	B	28	25	29	201
ZRN0750L6	ZF24K4E	1 3/8	7/8	5/8	5/8	57	A	39 1/4	30 3/8	42 1/2	286
ZRN1000L6	ZF33K4E	1 5/8	1 1/8	5/8	5/8	106	A	43 1/2	35 3/8	47	221
ZRN1300L6	ZF40K4E	1 5/8	1 1/8	5/8	5/8	106	A	43 1/2	35 3/8	47	292
ZRN1500L6	ZF48K4E	1 5/8	1 1/8	7/8	7/8	106	A	43 1/2	35 3/8	47	335

NOTES: Receiver refrigerant holding capacity refers to the weight of the type of refrigerant indicated by the model number (i.e. M6, L6, E6 = R-404A/R-507)

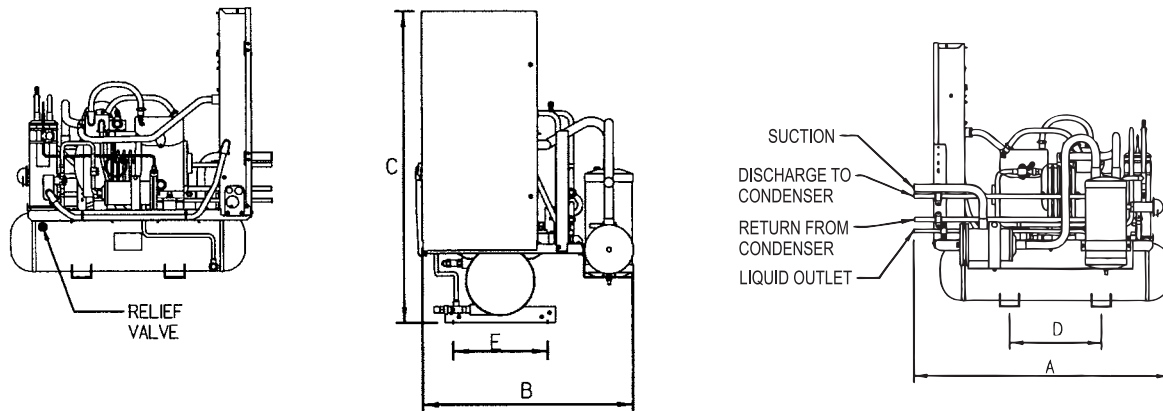
Figures are located on page 15 of this technical bulletin.

Dimensions are maximum dimensions with options. Please refer to submittal drawings for specific model dimensions

For additional capacity sizes and options, please contact the factory at 800-537-7775

DIMENSIONAL DATA

Figure A



Maximum Dimensions with Options

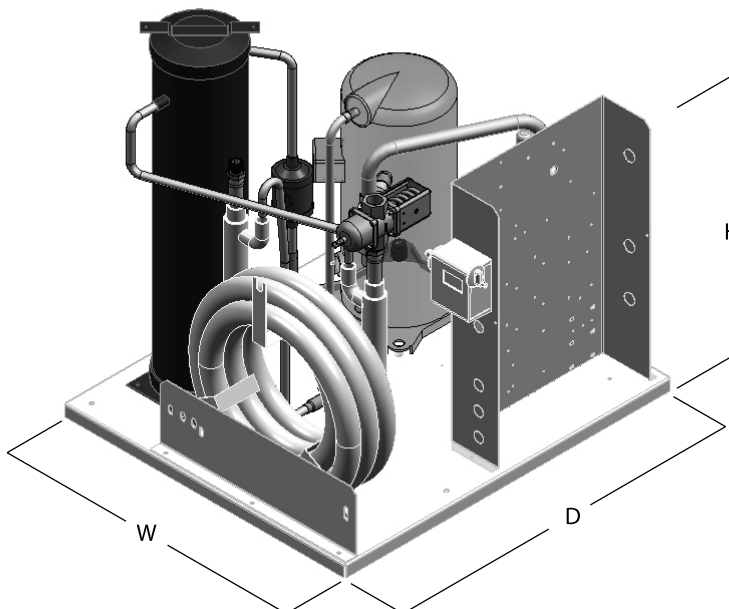
Horsepower	A	B (std*)	B (max**)	C (std*)	C (max**)	D	E
3/4 thru 2	35	19.375	23.75	29	36.375	13.5	12
3 thru 4	40	21.375	26.75	31.625	39.25	13.5	12
5 thru 6	42.5	23.375	30.375	36.375	39.25	13.5	12
7-1/2 thru 22	47	27.5	35.375	41.25	43.5	24	12

*Standard dimensions are for base model.

**Maximum dimensions are possible depending on selected options.

Exact dimensions can vary based on the chosen options.

Figure B



Notes



For more information on Bohn refrigeration products, contact your Sales Representative or visit us at heatcraftprd.com.

BOHN

A Brand of Heatcraft Refrigeration Products, LLC
2175 West Park Place Blvd. • Stone Mountain, GA • 30087
(800) 537-7775

heatcraftprd.com

Since product improvement is a continuing effort, we reserve the right to make changes in specifications without notice.

BN-RCUTB-0321 | Version 001