



LK-HTS | **AUGUST 2023**
Replaces May 2023

1/2 - 6 HP AIR-COOLED CONDENSING UNITS

Technical Guide
Now including DOE compliant models





TABLE OF CONTENTS

3	Features & Benefits
4	Nomenclature
4	Preferred Option Packages
5	Standard Features
5	Electrical & Mechanical Options
6	Scroll Compressor Models
6	Performance Data
6	Medium Temperature (R-404A/R-507A)
8	Medium Temperature (R-448A/R-449A)
10	Medium Temperature (R-407A)
12	Medium Temperature (R-407C)
14	Low Temperature (R-404A/R-507A)
16	Low Temperature (R-448A/R-449A)
18	Low Temperature (R-407A/R-407F)
20	Low Temperature (R-407C)
22	Unit Specifications
23	Electrical Data
23	Medium Temperature Copeland Scroll Models
25	Medium Temperature LG Scroll Models
26	Low Temperature Copeland Scroll Models
27	AWEF Medium Temperature Data
27	Medium Temperature Copeland Scroll Models
29	Medium Temperature LG Scroll Models
30	AWEF Low Temperature Data
30	Low Temperature Copeland Scroll Models
31	Hermetic Compressor Models
31	Performance Data
31	Medium Temperature (R-404A/R-507A)
32	Medium Temperature (R-448A/R-449A)
33	Medium Temperature (R-407A)
34	Low Temperature (R-404A/R-507A)
35	Unit Specifications
36	Electrical Data
37	AWEF Medium Temperature Data
37	AWEF Low Temperature Data
38	Replacement Parts
40	Dimensional Diagrams

FEATURES & BENEFITS

CABINET AND CONSTRUCTION

- Microchannel coil technology standard on all units
- Painted steel cabinets for superior strength and corrosion protection
- Heavy duty, steel, 1-1/2" tall base

SERVICEABILITY

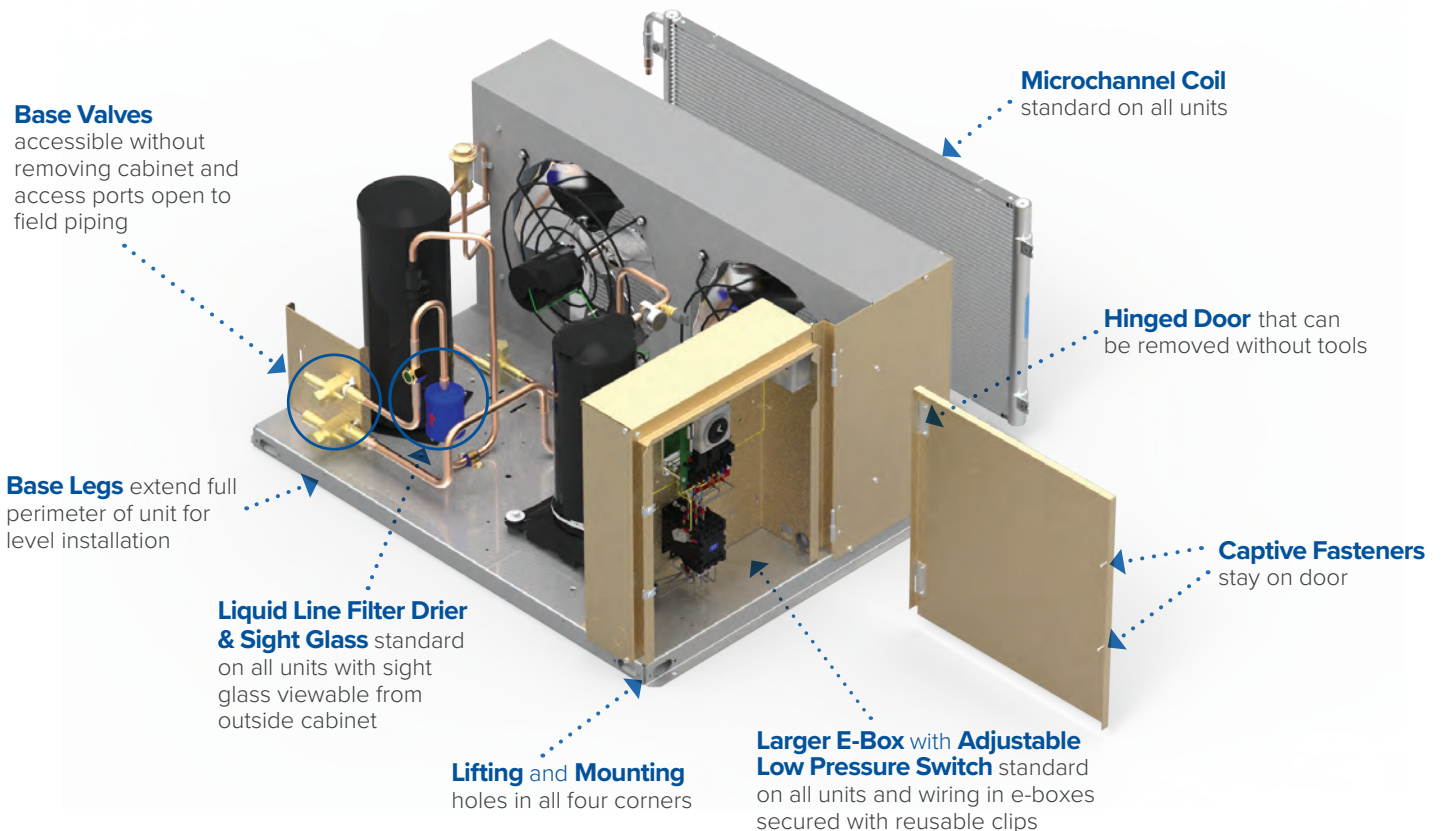
- Suction service valves for hermetic and scroll compressors located outside the cabinet for quick installations.
- Receiver with fusible plug, liquid shutoff valve and charging port is standard
- Large electrical panel for ease of access
- Prefabricated wiring harnesses for tight crimp connections and consistent labeling

- Unit stays on if the hood is removed for servicing
- Sight glass is easily viewable

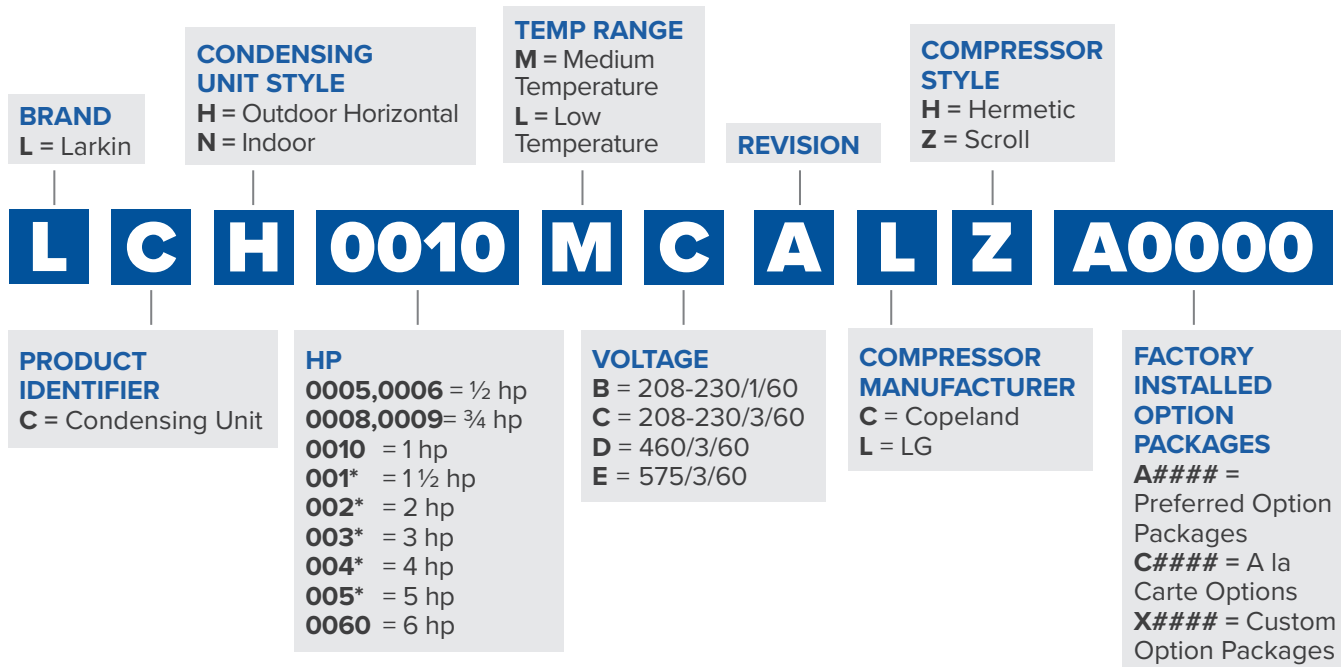
QUALITY

- All units are completely leak tested in a helium environment, bump tested and allowed to cycle off on the high and low pressure control. Each unit has a copy of the run data shipped inside the electrical panel
- Electrical circuits are completely checked for continuity
- Piping is laid out to minimize stress and vibration and is pre-bent to eliminate leaks
- Encapsulated, auto-reset, high and low pressure controls to eliminate leaks (adjustable low pressure control standard on all models)

OUTSTANDING FEATURES



NOMENCLATURE



PREFERRED OPTION PACKAGES:

Please see Price Book or The HUB for availability

Package	Description (standard base model features + indicated option below)
A0000	Standard Base
A0100	Timer-Air
A0200	Timer-Elec
A0300	Timer Contactor
A0400	intelliGen™/Beacon II™
A0800	Timer-Air-Paragon + Aluminum Fin/CopperTube Coil
A0900	intelliGen™/Beacon II™ + Suction Filter
A1000	Accumulator
A1200	R-404A Precharge
A1204	R-448A Precharge

STANDARD FEATURES

Microchannel Coil

Fixed Head Pressure Control Valve

- Low temp - Revision A 100 psi • Med. temp - Revision A 145 psi
- Low temp - Revision B 145 psi

Crankcase Heater (optional for indoor models)

Adjustable Low Pressure Control

Fixed High Pressure Control

Sealed Liquid Line Drier (new)

Liquid Line Sight Glass (new)

Liquid Line and Suction Line Base Valves

Painted Steel Cabinet (outdoor and indoor models)

Removable & Hinged E-box Door with Captive Fasteners

ELECTRICAL OPTIONS

Option	Outdoor	Indoor
Fixed low pressure control	Option	Option
Air or Electric defrost timer only	Option	Option
intelliGen™/Beacon II™	Option	N/A
Crankcase Heater	Standard	Option
Dual pressure control (not available with intelliGen™/Beacon II™ or Low Ambient Kit)	Option	Option
Electric defrost with timer & contactors (C3 cabinet)	Option	Option
Fused disconnect	Option	Option
Phase loss / low voltage monitor (not available with intelliGen™/Beacon II™ or Low Ambient Kit)	Option	Option
Smart Defrost Kit™ (Factory-Installed)	Option	Option
Variable speed EC (VSEC) motors with Orbus controller	Option	Option

MECHANICAL OPTIONS

Option	Outdoor	Indoor
Adjustable Head Pressure Valve	Option	Option
12" Extended legs	Option	Option
Liquid line drier, sight glass	Standard	Standard
Liquid line solenoid valve and pumpdown switch (not available with intelliGen™/Beacon II™)	Option	Option
Low ambient kit with heated and insulated receiver, Time Delay relay	Option	N/A
Oil separator with discharge line check valve (C3 cabinet)	Option	Option
Oversize receiver (C2 & C3 cabinets)	Option	Option
Precharged refrigerant with quick connect fittings	Option	Option
Replaceable core liquid line filter (C3 cabinet)	Option	Option
Replaceable core suction line filter (C3 cabinet)	Option	Option

PERFORMANCE DATA – R-404A/R-507A

Medium Temperature Models - Scroll Compressors

Please consult AWEF table on pages 27-29 to confirm DOE compliance per model

R-404A/R-507A		Capacity BTUH @ 90°F Ambient by SST							
Model	Compressor	+40°F	+35°F	+30°F	+25°F	+20°F	+15°F	+10°F	+0°F
LC*0005M^ACZ	ZB06KAE	10,480	9,630	8,790	7,980	7,220	6,500	5,830	4,660
LC*0008M^ACZ	ZB07KAE	12,370	11,280	10,280	9,350	8,520	7,740	7,020	5,710
LC*0009M^ACZ	ZB08KAE	13,590	12,390	11,300	10,320	9,430	8,630	7,890	6,540
LC*0010M^A‡Z	ZS09KAE / MPA010	16,680	15,270	13,930	12,690	11,520	10,440	9,440	7,670
LC*0012M^ACZ	ZS11KAE	19,540	17,910	16,340	14,880	13,520	12,260	11,090	9,010
LC*0015M^A‡Z	ZS13KAE / MPA013	24,210	22,090	20,090	18,230	16,490	14,910	13,440	10,860
LC*0020M^A‡Z	ZS15KAE / MPA015	28,390	26,020	23,670	21,520	19,510	17,650	15,930	12,920
LC*0025M^A‡Z	ZS19KAE / MPA019	31,330	28,660	26,160	23,780	21,570	19,540	17,650	14,330
LC*0027M^ACZ	ZS20KAE	37,110	34,060	31,140	28,420	25,880	23,530	21,340	17,380
LC*0030M^A‡Z	ZS21KAE / MBA021	43,740	40,010	36,480	33,150	30,080	27,190	24,510	19,780
LC*0035M^A‡Z	ZS26KAE / MBA026	48,200	44,100	40,210	36,550	33,130	29,970	27,050	21,850
LC*0045M^A‡Z	ZS29KAE / MBA029	54,280	49,600	45,210	41,090	37,250	33,690	30,400	24,620
LC*0050M^A‡Z	ZS33KAE / MBA033	58,310	53,440	48,880	44,540	40,470	36,690	33,160	26,890
LC*0055M^A‡Z	ZS38K4E / MRA038	59,360	54,860	50,510	46,560	42,650	39,050	35,670	29,580
LC*0060M^A‡Z	ZS45K4E / MRA045	68,420	63,390	58,660	53,990	49,520	45,550	41,660	34,740

R-404A/R-507A		Capacity BTUH @ 95°F Ambient by SST							
Model	Compressor	+40°F	+35°F	+30°F	+25°F	+20°F	+15°F	+10°F	+0°F
LC*0005M^ACZ	ZB06KAE	10,060	9,240	8,430	7,660	6,930	6,240	5,600	4,480
LC*0008M^ACZ	ZB07KAE	11,860	10,820	9,860	8,980	8,180	7,440	6,750	5,490
LC*0009M^ACZ	ZB08KAE	13,000	11,870	10,830	9,900	9,050	8,290	7,580	6,270
LC*0010M^A‡Z	ZS09KAE / MPA010	16,020	14,670	13,380	12,200	11,080	10,040	9,080	7,390
LC*0012M^ACZ	ZS11KAE	18,810	17,220	15,720	14,320	13,010	11,800	10,680	8,680
LC*0015M^A‡Z	ZS13KAE / MPA013	23,300	21,260	19,340	17,540	15,900	14,360	12,950	10,470
LC*0020M^A‡Z	ZS15KAE / MPA015	27,300	24,980	22,770	20,700	18,770	16,990	15,340	12,450
LC*0025M^A‡Z	ZS19KAE / MPA019	30,100	27,510	25,170	22,860	20,740	18,790	16,990	13,800
LC*0027M^ACZ	ZS20KAE	35,730	32,760	29,970	27,360	24,930	22,670	20,560	16,750
LC*0030M^A‡Z	ZS21KAE / MBA021	42,040	38,470	35,080	31,930	28,950	26,180	23,610	19,080
LC*0035M^A‡Z	ZS26KAE / MBA026	46,320	42,390	38,660	35,160	31,880	28,870	26,050	21,070
LC*0045M^A‡Z	ZS29KAE / MBA029	52,140	47,650	43,440	39,500	35,820	32,410	29,260	23,720
LC*0050M^A‡Z	ZS33KAE / MBA033	55,960	51,360	46,940	42,790	38,900	35,270	31,900	25,900
LC*0055M^A‡Z	ZS38K4E / MRA038	56,980	52,660	48,570	44,620	40,930	37,470	34,230	28,380
LC*0060M^A‡Z	ZS45K4E / MRA045	65,650	60,830	56,280	51,800	47,550	43,730	39,970	33,350

Notes:

* H = Outdoor, N = Indoor

^ B = 208-230/1/60, C = 208-230/3/60, D = 460/3/60, E = 575/3/60

‡ C = Copeland, L = LG

PERFORMANCE DATA – R-404A/R-507A

Medium Temperature Models - Scroll Compressors (Cont.)

Please consult AWEF table on pages 27-29 to confirm DOE compliance per model

R-404A/R-507A		Capacity BTUH @ 100°F Ambient by SST							
Model	Compressor	+40°F	+35°F	+30°F	+25°F	+20°F	+15°F	+10°F	+0°F
LC*0005M^ACZ	ZB06KAE	9,640	8,840	8,070	7,340	6,630	5,980	5,360	4,290
LC*0008M^ACZ	ZB07KAE	11,350	10,360	9,440	8,620	7,840	7,130	6,470	5,260
LC*0009M^ACZ	ZB08KAE	12,430	11,350	10,370	9,480	8,680	7,940	7,270	6,000
LC*0010M^A‡Z	ZS09KAE / MPA010	15,350	14,040	12,860	11,690	10,620	9,630	8,720	7,100
LC*0012M^ACZ	ZS11KAE	18,050	16,530	15,090	13,740	12,490	11,340	10,260	8,350
LC*0015M^A‡Z	ZS13KAE / MPA013	22,360	20,410	18,570	16,870	15,270	13,800	12,440	10,070
LC*0020M^A‡Z	ZS15KAE / MPA015	26,250	23,970	21,850	19,870	18,020	16,320	14,740	11,980
LC*0025M^A‡Z	ZS19KAE / MPA019	28,850	26,410	24,090	21,920	19,900	18,030	16,300	13,260
LC*0027M^ACZ	ZS20KAE	34,290	31,450	28,780	26,280	23,950	21,790	19,770	16,120
LC*0030M^A‡Z	ZS21KAE / MBA021	40,300	36,950	33,700	30,650	27,800	25,150	22,700	18,360
LC*0035M^A‡Z	ZS26KAE / MBA026	44,400	40,650	37,090	33,740	30,640	27,730	25,030	20,260
LC*0045M^A‡Z	ZS29KAE / MBA029	49,890	45,650	41,640	37,870	34,350	31,100	28,090	22,810
LC*0050M^A‡Z	ZS33KAE / MBA033	53,500	49,250	44,970	41,000	37,290	33,830	30,610	24,890
LC*0055M^A‡Z	ZS38K4E / MRA038	54,550	50,420	46,510	42,720	39,180	35,870	32,760	27,170
LC*0060M^A‡Z	ZS45K4E / MRA045	62,860	58,240	53,880	49,590	45,520	41,800	38,270	31,940

R-404A/R-507A		Capacity BTUH @ 110°F Ambient by SST							
Model	Compressor	+40°F	+35°F	+30°F	+25°F	+20°F	+15°F	+10°F	+0°F
LC*0005M^ACZ	ZB06KAE	8,770	8,060	7,360	6,690	6,050	5,450	4,890	3,920
LC*0008M^ACZ	ZB07KAE	10,310	9,440	8,620	7,860	7,160	6,520	5,910	4,800
LC*0009M^ACZ	ZB08KAE	11,310	10,340	9,460	8,660	7,930	7,260	6,650	5,470
LC*0010M^A‡Z	ZS09KAE / MPA010	13,980	12,820	11,690	10,650	9,680	8,780	7,950	6,500
LC*0012M^ACZ	ZS11KAE	16,490	15,110	13,810	12,580	11,450	10,390	9,410	7,670
LC*0015M^A‡Z	ZS13KAE / MPA013	20,480	18,700	17,020	15,440	13,980	12,640	11,400	9,240
LC*0020M^A‡Z	ZS15KAE / MPA015	23,910	21,880	19,950	18,140	16,490	14,930	13,500	10,970
LC*0025M^A‡Z	ZS19KAE / MPA019	26,310	24,060	21,950	19,980	18,140	16,450	14,880	12,140
LC*0027M^ACZ	ZS20KAE	31,340	28,770	26,350	24,080	21,960	19,990	18,150	14,820
LC*0030M^A‡Z	ZS21KAE / MBA021	36,830	33,730	30,790	28,020	25,420	23,020	20,790	16,860
LC*0035M^A‡Z	ZS26KAE / MBA026	40,560	37,150	33,910	30,860	28,000	25,360	22,910	18,580
LC*0045M^A‡Z	ZS29KAE / MBA029	45,400	41,560	37,920	34,570	31,380	28,430	25,700	20,890
LC*0050M^A‡Z	ZS33KAE / MBA033	48,680	44,690	40,890	37,310	33,950	30,830	27,920	22,790
LC*0055M^A‡Z	ZS38K4E / MRA038	49,590	45,860	42,240	38,820	35,590	32,570	29,740	24,660
LC*0060M^A‡Z	ZS45K4E / MRA045	57,200	53,130	49,020	45,100	41,470	38,050	34,840	29,110

Notes:

* H = Outdoor, N = Indoor
 ^ B = 208-230/1/60, C = 208-230/3/60, D = 460/3/60, E = 575/3/60
 ‡ C = Copeland, L = LG

PERFORMANCE DATA – R-448A/R-449A

Medium Temperature Models - Scroll Compressors

Please consult AWEF table on pages 27-29 to confirm DOE compliance per model

R-448A/R-449A		Capacity BTUH @ 90°F Ambient by SST							
Model	Compressor	+40°F	+35°F	+30°F	+25°F	+20°F	+15°F	+10°F	+0°F
LC*0005M^ACZ	ZB06KAE	9,680	8,840	8,030	7,260	6,530	5,840	5,200	4,090
LC*0008M^ACZ	ZB07KAE	11,150	10,260	9,420	8,590	7,790	7,030	6,300	4,950
LC*0009M^ACZ	ZB08KAE	12,580	11,680	10,770	9,870	9,020	8,160	7,340	5,780
LC*0010M^A‡Z	ZS09KAE / MPA010	13,500	12,240	11,080	10,050	9,130	8,310	7,570	6,330
LC*0012M^ACZ	ZS11KAE	18,080	16,440	14,910	13,480	12,150	10,930	9,800	7,840
LC*0015M^A‡Z	ZS13KAE / MPA013	19,570	17,670	15,910	14,340	12,930	11,690	10,580	8,710
LC*0020M^A‡Z	ZS15KAE / MPA015	22,970	20,760	18,730	16,950	15,330	13,900	12,630	10,480
LC*0025M^A‡Z	ZS19KAE / MPA019	25,270	22,880	20,700	18,720	17,000	15,460	14,070	11,760
LC*0027M^ACZ	ZS20KAE	34,270	31,240	28,390	25,730	23,250	20,960	18,840	15,100
LC*0030M^A‡Z	ZS21KAE / MBA021	37,270	34,140	31,100	28,270	25,610	23,160	20,880	16,860
LC*0035M^A‡Z	ZS26KAE / MBA026	45,170	41,130	37,250	33,700	30,310	27,240	24,440	19,780
LC*0045M^A‡Z	ZS29KAE / MBA029	45,790	42,010	38,410	35,040	31,820	28,810	26,030	21,100
LC*0050M^A‡Z	ZS33KAE / MBA033	50,040	46,000	42,110	38,410	34,880	31,620	28,470	22,790
LC*0055M^A‡Z	ZS38K4E / MRA038	55,890	51,810	47,850	43,820	39,900	36,130	32,480	25,820
LC*0060M^A‡Z	ZS45K4E / MRA045	64,210	59,590	54,990	50,460	46,130	41,830	37,700	30,120

R-448A/R-449A		Capacity BTUH @ 95°F Ambient by SST							
Model	Compressor	+40°F	+35°F	+30°F	+25°F	+20°F	+15°F	+10°F	+0°F
LC*0005M^ACZ	ZB06KAE	9,350	8,540	7,770	7,020	6,320	5,660	5,040	3,970
LC*0008M^ACZ	ZB07KAE	10,800	9,930	9,110	8,300	7,530	6,790	6,090	4,800
LC*0009M^ACZ	ZB08KAE	12,190	11,310	10,440	9,570	8,730	7,910	7,110	5,590
LC*0010M^A‡Z	ZS09KAE / MPA010	12,970	11,790	10,700	9,700	8,840	8,090	7,420	6,310
LC*0012M^ACZ	ZS11KAE	17,510	15,920	14,440	13,060	11,770	10,590	9,510	7,610
LC*0015M^A‡Z	ZS13KAE / MPA013	18,930	17,100	15,400	13,890	12,560	11,390	10,360	8,670
LC*0020M^A‡Z	ZS15KAE / MPA015	22,170	20,040	18,110	16,410	14,870	13,530	12,360	10,440
LC*0025M^A‡Z	ZS19KAE / MPA019	24,360	22,060	19,980	18,110	16,490	15,050	13,770	11,720
LC*0027M^ACZ	ZS20KAE	33,230	30,280	27,530	24,950	22,550	20,330	18,280	14,660
LC*0030M^A‡Z	ZS21KAE / MBA021	36,100	33,080	30,140	27,410	24,850	22,490	20,300	16,460
LC*0035M^A‡Z	ZS26KAE / MBA026	43,700	39,780	36,030	32,610	29,340	26,400	23,740	19,390
LC*0045M^A‡Z	ZS29KAE / MBA029	44,320	40,680	37,160	33,920	30,880	27,990	25,320	20,620
LC*0050M^A‡Z	ZS33KAE / MBA033	48,410	44,500	40,720	37,130	33,700	30,520	27,430	21,860
LC*0055M^A‡Z	ZS38K4E / MRA038	53,950	49,980	46,120	42,200	38,380	34,720	31,190	24,760
LC*0060M^A‡Z	ZS45K4E / MRA045	61,970	57,480	53,020	48,620	44,410	40,240	36,250	28,970

Notes:

* H = Outdoor, N = Indoor
 ^ B = 208-230/1/60, C = 208-230/3/60, D = 460/3/60, E = 575/3/60
 ‡ C = Copeland, L = LG

PERFORMANCE DATA – R-448A/R-449A

Medium Temperature Models - Scroll Compressors (Cont.)

Please consult AWEF table on pages 27-29 to confirm DOE compliance per model

R-448A/R-449A		Capacity BTUH @ 100°F Ambient by SST							
Model	Compressor	+40°F	+35°F	+30°F	+25°F	+20°F	+15°F	+10°F	+0°F
LC*0005M^ACZ	ZB06KAE	9,020	8,240	7,500	6,780	6,100	5,470	4,880	3,860
LC*0008M^ACZ	ZB07KAE	10,440	9,600	8,800	8,020	7,270	6,550	5,880	4,640
LC*0009M^ACZ	ZB08KAE	11,790	10,940	10,100	9,260	8,450	7,650	6,870	5,400
LC*0010M^A±Z	ZS09KAE / MPA010	12,440	11,330	10,290	9,350	8,550	7,860	7,240	6,300
LC*0012M^ACZ	ZS11KAE	16,940	15,400	13,970	12,630	11,400	10,260	9,210	7,390
LC*0015M^A±Z	ZS13KAE / MPA013	18,250	16,470	14,860	13,430	12,170	11,080	10,140	8,640
LC*0020M^A±Z	ZS15KAE / MPA015	21,320	19,290	17,450	15,850	14,400	13,160	12,090	10,410
LC*0025M^A±Z	ZS19KAE / MPA019	23,390	21,200	19,230	17,460	15,950	14,630	13,460	11,680
LC*0027M^ACZ	ZS20KAE	32,160	29,310	26,650	24,160	21,840	19,700	17,710	14,220
LC*0030M^A±Z	ZS21KAE / MBA021	34,940	32,020	29,190	26,560	24,110	21,850	19,750	16,100
LC*0035M^A±Z	ZS26KAE / MBA026	42,110	38,310	34,710	31,370	28,280	25,480	22,970	18,940
LC*0045M^A±Z	ZS29KAE / MBA029	42,840	39,360	35,990	32,890	29,970	27,200	24,660	20,190
LC*0050M^A±Z	ZS33KAE / MBA033	46,740	42,940	39,290	35,790	32,480	29,370	26,340	20,880
LC*0055M^A±Z	ZS38K4E / MRA038	51,980	48,130	44,370	40,570	36,870	33,320	29,920	23,750
LC*0060M^A±Z	ZS45K4E / MRA045	—	55,380	51,060	46,930	42,720	38,700	34,860	27,870

R-448A/R-449A		Capacity BTUH @ 110°F Ambient by SST							
Model	Compressor	+40°F	+35°F	+30°F	+25°F	+20°F	+15°F	+10°F	+0°F
LC*0005M^ACZ	ZB06KAE	8,320	7,620	6,940	6,290	5,670	5,090	4,550	3,620
LC*0008M^ACZ	ZB07KAE	9,710	8,920	8,180	7,430	6,730	6,070	5,450	4,330
LC*0009M^ACZ	ZB08KAE	10,970	10,190	9,410	8,630	7,880	7,130	6,400	5,010
LC*0010M^A±Z	ZS09KAE / MPA010	11,310	10,330	9,410	8,590	7,930	7,350	6,880	6,240
LC*0012M^ACZ	ZS11KAE	15,740	14,340	13,020	11,780	10,630	9,580	8,620	6,940
LC*0015M^A±Z	ZS13KAE / MPA013	16,790	15,150	13,700	12,440	11,350	10,430	9,670	8,580
LC*0020M^A±Z	ZS15KAE / MPA015	19,500	17,620	16,040	14,600	13,370	12,340	11,500	10,330
LC*0025M^A±Z	ZS19KAE / MPA019	21,320	19,350	17,600	16,060	14,780	13,670	12,770	11,560
LC*0027M^ACZ	ZS20KAE	29,950	27,340	24,870	22,550	20,400	18,410	16,570	13,330
LC*0030M^A±Z	ZS21KAE / MBA021	32,600	29,870	27,310	24,910	22,680	20,640	18,750	15,510
LC*0035M^A±Z	ZS26KAE / MBA026	38,590	34,980	31,820	28,670	25,870	23,370	21,180	17,820
LC*0045M^A±Z	ZS29KAE / MBA029	39,920	36,740	33,690	30,870	28,220	25,730	23,450	19,510
LC*0050M^A±Z	ZS33KAE / MBA033	43,230	39,680	36,250	32,900	29,830	26,820	23,970	18,720
LC*0055M^A±Z	ZS38K4E / MRA038	—	45,420 ^g	40,880	37,340	33,920	30,610	27,550	22,000
LC*0060M^A±Z	ZS45K4E / MRA045	—	—	—	44,290 ^g	39,520	35,830	32,340	—

Notes:

* H = Outdoor, N = Indoor

^ B = 208-230/1/60, C = 208-230/3/60, D = 460/3/60, E = 575/3/60

‡ C = Copeland, L = LG

g. Must use round tube plate fin coil

20°F Max Superheat

PERFORMANCE DATA – R-407A

Medium Temperature Models - Scroll Compressors

Please consult AWEF table on pages 27-29 to confirm DOE compliance per model

R-407A		Capacity BTUH @ 90°F Ambient by SST							
Model	Compressor	+40°F	+35°F	+30°F	+25°F	+20°F	+15°F	+10°F	+0°F
LC*0005M^ACZ	ZB06KAE	10,150	9,230	8,340	7,510	6,740	6,040	5,420	4,430
LC*0008M^ACZ	ZB07KAE	11,520	10,680	9,850	8,970	8,080	7,230	6,430	5,050
LC*0009M^ACZ	ZB08KAE	12,540	11,940	11,210	10,340	9,430	8,490	7,520	5,790
LC*0010M^A†Z	ZS09KAE / MPA010	14,550	13,360	12,240	11,200	10,230	9,360	8,550	7,050
LC*0012M^ACZ	ZS11KAE	18,720	17,020	15,440	13,970	12,600	11,330	10,170	8,130
LC*0015M^A†Z	ZS13KAE / MPA013	21,110	19,300	17,610	16,050	14,610	13,300	12,080	9,900
LC*0020M^A†Z	ZS15KAE / MPA015	24,710	22,630	20,680	18,910	17,250	15,700	14,290	11,750
LC*0025M^A†Z	ZS19KAE / MPA019	27,230	24,970	22,870	20,920	19,090	17,450	15,890	13,090
LC*0027M^ACZ	ZS20KAE	35,650	32,480	29,520	26,750	24,170	21,790	19,580	15,680
LC*0030M^A†Z	ZS21KAE / MBA021	38,360	35,160	32,010	29,090	26,340	23,770	21,370	17,080
LC*0035M^A†Z	ZS26KAE / MBA026	42,110	38,470	35,120	31,890	28,900	26,130	23,550	18,940
LC*0045M^A†Z	ZS29KAE / MBA029	46,300	42,460	38,760	35,370	32,110	29,070	26,200	20,980
LC*0050M^A†Z	ZS33KAE / MBA033	51,350	47,200	43,230	39,460	35,870	32,550	29,350	23,530
LC*0055M^A†Z	ZS38K4E / MRA038	56,200	52,290	48,280	44,370	40,570	36,920	33,460	26,920
LC*0060M^A†Z	ZS45K4E / MRA045	65,340	60,610	56,130	51,600	47,260	43,130	39,200	31,980

R-407A		Capacity BTUH @ 95°F Ambient by SST							
Model	Compressor	+40°F	+35°F	+30°F	+25°F	+20°F	+15°F	+10°F	+0°F
LC*0005M^ACZ	ZB06KAE	9,810	8,900	8,050	7,250	6,500	5,830	5,230	4,270
LC*0008M^ACZ	ZB07KAE	11,130	10,320	9,500	8,670	7,810	6,980	6,200	4,870
LC*0009M^ACZ	ZB08KAE	12,110	11,540	10,830	10,000	9,110	8,190	7,260	5,590
LC*0010M^A†Z	ZS09KAE / MPA010	14,010	12,870	11,790	10,800	9,860	9,030	8,230	6,800
LC*0012M^ACZ	ZS11KAE	18,080	16,440	14,920	13,500	12,170	10,960	9,840	7,880
LC*0015M^A†Z	ZS13KAE / MPA013	20,350	18,640	17,000	15,500	14,110	12,840	11,670	9,560
LC*0020M^A†Z	ZS15KAE / MPA015	23,830	21,830	19,920	18,210	16,650	15,160	13,790	11,340
LC*0025M^A†Z	ZS19KAE / MPA019	26,230	24,070	22,050	20,160	18,410	16,830	15,330	12,630
LC*0027M^ACZ	ZS20KAE	34,470	31,400	28,540	25,870	23,380	21,090	18,960	15,200
LC*0030M^A†Z	ZS21KAE / MBA021	37,020	33,900	30,930	28,110	25,460	22,980	20,650	16,450
LC*0035M^A†Z	ZS26KAE / MBA026	40,660	37,170	33,940	30,820	27,940	25,260	22,770	18,310
LC*0045M^A†Z	ZS29KAE / MBA029	44,660	40,990	37,460	34,200	31,060	28,120	25,350	20,250
LC*0050M^A†Z	ZS33KAE / MBA033	49,510	45,550	41,750	38,130	34,690	31,480	28,380	22,710
LC*0055M^A†Z	ZS38K4E / MRA038	54,320	50,530	46,660	42,870	39,190	35,590	32,250	25,960
LC*0060M^A†Z	ZS45K4E / MRA045	63,170	58,590	54,250	49,860	45,650	41,650	37,830	30,810

Notes:

* H = Outdoor, N = Indoor

^ B = 208-230/1/60, C = 208-230/3/60, D = 460/3/60, E = 575/3/60

† C = Copeland, L = LG

PERFORMANCE DATA – R-407A

Medium Temperature Models - Scroll Compressors (Cont.)

Please consult AWEF table on pages 27-29 to confirm DOE compliance per model

R-407A		Capacity BTUH @ 100°F Ambient by SST							
Model	Compressor	+40°F	+35°F	+30°F	+25°F	+20°F	+15°F	+10°F	+0°F
LC*0005M^ACZ	ZB06KAE	9,450	8,570	7,750	6,980	6,270	5,620	5,040	4,110
LC*0008M^ACZ	ZB07KAE	10,730	9,960	9,170	8,350	7,530	6,730	5,980	4,690
LC*0009M^ACZ	ZB08KAE	11,680	11,130	10,450	9,650	8,810	7,910	7,010	5,390
LC*0010M^A‡Z	ZS09KAE / MPA010	13,470	12,370	11,340	10,390	9,490	8,690	7,930	6,550
LC*0012M^ACZ	ZS11KAE	17,400	15,850	14,390	13,020	11,750	10,580	9,500	7,620
LC*0015M^A‡Z	ZS13KAE / MPA013	19,620	17,970	16,390	14,940	13,600	12,380	11,250	9,220
LC*0020M^A‡Z	ZS15KAE / MPA015	22,940	21,020	19,190	17,560	16,010	14,600	13,290	10,930
LC*0025M^A‡Z	ZS19KAE / MPA019	25,230	23,150	21,210	19,410	17,730	16,210	14,760	12,170
LC*0027M^ACZ	ZS20KAE	33,220	30,310	27,560	24,980	22,590	20,370	18,320	14,700
LC*0030M^A‡Z	ZS21KAE / MBA021	35,680	32,680	29,830	27,130	24,580	22,180	19,930	15,830
LC*0035M^A‡Z	ZS26KAE / MBA026	39,180	35,840	32,730	29,730	26,950	24,370	21,960	17,660
LC*0045M^A‡Z	ZS29KAE / MBA029	43,030	39,530	36,160	33,030	30,010	27,180	24,500	19,540
LC*0050M^A‡Z	ZS33KAE / MBA033	47,700	43,920	40,290	36,770	33,520	30,430	27,430	21,920
LC*0055M^A‡Z	ZS38K4E / MRA038	52,380	48,730	44,990	41,330	37,770	34,310	31,020	25,000
LC*0060M^A‡Z	ZS45K4E / MRA045	60,950	56,530	52,340	48,090	44,020	40,140	36,440	29,630

R-407A		Capacity BTUH @ 110°F Ambient by SST							
Model	Compressor	+40°F	+35°F	+30°F	+25°F	+20°F	+15°F	+10°F	+0°F
LC*0005M^ACZ	ZB06KAE	8,690	7,900	7,150	6,440	5,780	5,180	4,650	3,790
LC*0008M^ACZ	ZB07KAE	9,920	9,210	8,480	7,720	6,960	6,220	5,520	4,320
LC*0009M^ACZ	ZB08KAE	10,780	10,290	9,660	8,940	8,160	7,330	6,500	4,990
LC*0010M^A‡Z	ZS09KAE / MPA010	12,370	11,370	10,430	9,560	8,740	8,010	7,310	6,050
LC*0012M^ACZ	ZS11KAE	16,070	14,650	13,310	12,050	10,890	9,820	8,830	7,120
LC*0015M^A‡Z	ZS13KAE / MPA013	18,120	16,600	15,130	13,800	12,570	11,440	10,400	8,540
LC*0020M^A‡Z	ZS15KAE / MPA015	21,130	19,370	17,700	16,200	14,780	13,480	12,280	10,110
LC*0025M^A‡Z	ZS19KAE / MPA019	23,190	21,300	19,520	17,840	16,350	14,950	13,610	11,240
LC*0027M^ACZ	ZS20KAE	30,750	28,070	25,540	23,170	20,960	18,930	17,040	13,720
LC*0030M^A‡Z	ZS21KAE / MBA021	33,070	30,320	27,720	25,250	22,900	20,690	18,590	14,730
LC*0035M^A‡Z	ZS26KAE / MBA026	36,100	33,120	30,200	27,470	24,910	22,520	20,300	16,300
LC*0045M^A‡Z	ZS29KAE / MBA029	39,840	36,620	33,650	30,790	28,050	25,420	22,930	18,280
LC*0050M^A‡Z	ZS33KAE / MBA033	44,170	40,780	37,500	34,330	31,370	28,490	25,730	20,550
LC*0055M^A‡Z	ZS38K4E / MRA038	—	45600 ^g	41,540	38,160	34,870	31,680	28,680	23,070
LC*0060M^A‡Z	ZS45K4E / MRA045	—	—	—	45040 ^g	40,670	37,070	33,630	—

Notes:

- * H = Outdoor, N = Indoor
- ^ B = 208-230/1/60, C = 208-230/3/60, D = 460/3/60, E = 575/3/60
- ‡ C = Copeland, L = LG
- g. Must use round tube plate fin coil

20°F Max Superheat

PERFORMANCE DATA – R-407C

Medium Temperature Models - Scroll Compressors

Please consult AWEF table on pages 27-29 to confirm DOE compliance per model

R-407C		Capacity BTUH @ 90°F Ambient by SST							
Model	Compressor	+40°F	+35°F	+30°F	+25°F	+20°F	+15°F	+10°F	+0°F
LC*0005M^ACZ	ZB06KAE	9,050	8,160	7,330	6,550	5,840	5,190	4,610	3,640
LC*0008M^ACZ	ZB07KAE	10,540	9,640	8,740	7,890	7,080	6,320	5,610	4,370
LC*0009M^ACZ	ZB08KAE	12,060	11,070	10,100	9,180	8,280	7,430	6,620	5,160
LC*0010M^A†Z	ZS09KAE / MPA010	13,360	12,280	11,230	10,210	9,240	8,320	7,400	5,630
LC*0015M^A†Z	ZS13KAE / MPA013	19,040	17,460	15,900	14,420	13,010	11,650	10,330	7,780
LC*0020M^A†Z	ZS15KAE / MPA015	22,470	20,610	18,810	17,100	15,420	13,830	12,290	9,320
LC*0025M^A†Z	ZS19KAE / MPA019	24,930	22,890	20,910	19,000	17,190	15,440	13,760	10,580
LC*0030M^A†Z	ZS21KAE / MBA021	35,120	32,080	29,200	26,450	23,820	21,330	18,950	14,510
LC*0035M^A†Z	ZS26KAE / MBA026	38,430	35,230	32,090	29,110	26,260	23,530	20,890	15,790
LC*0045M^A†Z	ZS29KAE / MBA029	42,540	38,950	35,570	32,320	29,140	26,130	23,240	17,760
LC*0050M^A†Z	ZS33KAE / MBA033	46,520	42,680	38,930	35,410	32,010	28,700	25,520	19,430
LC*0055M^A†Z	ZS38K4E / MRA038	57,160	52,990	48,750	44,620	40,630	36,830	33,190	26,540
LC*0060M^A†Z	ZS45K4E / MRA045	66,930	61,820	56,840	52,150	47,540	43,190	39,070	31,570

R-407C		Capacity BTUH @ 95°F Ambient by SST							
Model	Compressor	+40°F	+35°F	+30°F	+25°F	+20°F	+15°F	+10°F	+0°F
LC*0005M^ACZ	ZB06KAE	8,770	7,920	7,110	6,360	5,670	5,050	4,490	3,550
LC*0008M^ACZ	ZB07KAE	10,210	9,340	8,480	7,650	6,870	6,130	5,450	4,260
LC*0009M^ACZ	ZB08KAE	11,670	10,720	9,790	8,900	8,030	7,200	6,420	5,010
LC*0010M^A†Z	ZS09KAE / MPA010	12,990	11,950	10,930	9,940	9,000	8,090	7,200	5,460
LC*0015M^A†Z	ZS13KAE / MPA013	18,530	16,970	15,480	14,050	12,670	11,350	10,060	7,560
LC*0020M^A†Z	ZS15KAE / MPA015	21,850	20,030	18,320	16,650	15,020	13,470	11,960	9,060
LC*0025M^A†Z	ZS19KAE / MPA019	24,240	22,270	20,350	18,500	16,740	15,040	13,390	10,280
LC*0030M^A†Z	ZS21KAE / MBA021	34,140	31,240	28,440	25,770	23,220	20,790	18,460	14,090
LC*0035M^A†Z	ZS26KAE / MBA026	37,410	34,300	31,260	28,370	25,590	22,930	20,350	15,340
LC*0045M^A†Z	ZS29KAE / MBA029	41,380	37,920	34,650	31,450	28,390	25,460	22,630	17,270
LC*0050M^A†Z	ZS33KAE / MBA033	45,260	41,550	37,910	34,490	31,170	27,930	24,810	18,810
LC*0055M^A†Z	ZS38K4E / MRA038	55,540	51,480	47,340	43,310	39,420	35,660	32,170	25,700
LC*0060M^A†Z	ZS45K4E / MRA045	65,100	60,110	55,250	50,650	46,150	41,900	37,880	30,600

Notes:

* H = Outdoor, N = Indoor

^ B = 208-230/1/60, C = 208-230/3/60, D = 460/3/60, E = 575/3/60

† C = Copeland, L = LG

PERFORMANCE DATA – R-407C

Medium Temperature Models - Scroll Compressors (Cont.)

Please consult AWEF table on pages 27-29 to confirm DOE compliance per model

R-407C		Capacity BTUH @ 100°F Ambient by SST							
Model	Compressor	+40°F	+35°F	+30°F	+25°F	+20°F	+15°F	+10°F	+0°F
LC*0005M^ACZ	ZB06KAE	8,490	7,660	6,890	6,170	5,510	4,900	4,360	3,460
LC*0008M^ACZ	ZB07KAE	9,880	9,040	8,200	7,410	6,650	5,950	5,290	4,140
LC*0009M^ACZ	ZB08KAE	11,280	10,370	9,470	8,610	7,770	6,970	6,220	4,870
LC*0010M^A‡Z	ZS09KAE / MPA010	12,630	11,610	10,630	9,670	8,760	7,860	6,990	5,290
LC*0015M^A‡Z	ZS13KAE / MPA013	18,020	16,510	15,060	13,670	12,330	11,040	9,780	7,330
LC*0020M^A‡Z	ZS15KAE / MPA015	21,240	19,480	17,800	16,200	14,620	13,100	11,630	8,780
LC*0025M^A‡Z	ZS19KAE / MPA019	23,560	21,650	19,790	17,990	16,290	14,620	13,010	9,960
LC*0030M^A‡Z	ZS21KAE / MBA021	33,210	30,390	27,680	25,090	22,600	20,230	17,950	13,650
LC*0035M^A‡Z	ZS26KAE / MBA026	36,370	33,380	30,420	27,610	24,910	22,320	19,790	14,880
LC*0045M^A‡Z	ZS29KAE / MBA029	40,240	36,900	33,720	30,610	27,640	24,780	22,020	16,760
LC*0050M^A‡Z	ZS33KAE / MBA033	44,000	40,400	36,880	33,540	30,310	27,130	24,070	18,140
LC*0055M^A‡Z	ZS38K4E / MRA038	53,900	49,940	45,910	41,980	38,200	34,540	31,140	24,850
LC*0060M^A‡Z	ZS45K4E / MRA045	63,250	58,380	53,640	49,140	44,750	40,600	36,670	29,600

R-407C		Capacity BTUH @ 110°F Ambient by SST							
Model	Compressor	+40°F	+35°F	+30°F	+25°F	+20°F	+15°F	+10°F	+0°F
LC*0005M^ACZ	ZB06KAE	7,900	7,150	6,430	5,770	5,160	4,610	4,110	3,270
LC*0008M^ACZ	ZB07KAE	9,210	8,420	7,660	6,920	6,220	5,570	4,960	3,910
LC*0009M^ACZ	ZB08KAE	10,490	9,630	8,810	8,030	7,250	6,520	5,820	4,580
LC*0010M^A‡Z	ZS09KAE / MPA010	11,890	10,940	10,020	9,110	8,250	7,390	6,560	4,910
LC*0015M^A‡Z	ZS13KAE / MPA013	17,000	15,580	14,220	12,910	11,640	10,410	9,200	6,830
LC*0020M^A‡Z	ZS15KAE / MPA015	20,020	18,380	16,820	15,280	13,790	12,350	10,940	8,190
LC*0025M^A‡Z	ZS19KAE / MPA019	22,180	20,400	18,660	16,970	15,350	13,760	12,230	9,280
LC*0030M^A‡Z	ZS21KAE / MBA021	31,340	28,710	26,150	23,700	21,330	19,070	16,870	12,700
LC*0035M^A‡Z	ZS26KAE / MBA026	34,340	31,480	28,730	26,080	23,510	21,040	18,610	13,860
LC*0045M^A‡Z	ZS29KAE / MBA029	37,910	34,900	31,870	28,930	26,120	23,400	20,760	15,680
LC*0050M^A‡Z	ZS33KAE / MBA033	41,460	38,090	34,770	31,610	28,480	25,460	22,490	16,710
LC*0055M^A‡Z	ZS38K4E / MRA038	—	47370 ^g	42,970	39,270	35,700	32,270	29,060	23,160
LC*0060M^A‡Z	ZS45K4E / MRA045	—	—	—	46710 ^g	41,900	37,960	34,250	—

Notes:

- * H = Outdoor, N = Indoor
 - ^ B = 208-230/1/60, C = 208-230/3/60, D = 460/3/60, E = 575/3/60
 - ‡ C = Copeland, L = LG
 - g. Must use round tube plate fin coil
- 20°F Max Superheat

PERFORMANCE DATA – R-404A/R-507A

Low Temperature Models - Scroll Compressors

Please consult AWEF table on page 30 to confirm DOE compliance per model

R-404A/R-507A		Capacity BTUH @ 90°F Ambient by SST								
Model	Compressor	0°F	-5°F	-10°F	-15°F	-20°F	-25°F	-30°F	-35°F	-40°F
LC*0006L^ACZ	ZF03KAE	5,190	4,620	4,100	3,650	3,240	2,890	2,580	2,300	2,060
LC*0008L^BCZ	ZF04KAE	6,970	6,210	5,520	4,880	4,300	3,790	3,350	2,970	2,660
LC*0010L^BCZ	ZF05KAE	8,170	7,360	6,590	5,870	5,220	4,610	4,070	3,590	3,160
LC*0018L^BCZ	ZF06KAE	10,610	9,610	8,670	7,790	6,970	6,210	5,500	4,850	4,250
LC*0022L^BCZ	ZF07KAE	11,870	10,790	9,750	8,790	7,900	7,060	6,260	5,470	4,690
LC*0025L^ACZ	ZF08K4E	15,170	13,750	12,420	11,190	10,040	8,980	7,990	7,070	6,220
LC*0030L^BCZ	ZF09K4E	16,690	15,160	13,720	12,330	10,980	9,650	8,330	6,960	5,540
LC*0035L^BCZ	ZF11K4E	20,250	18,440	16,740	15,110	13,540	12,000	10,480	8,950	7,360
LC*0045L^BCZ	ZF13K4E	24,710	22,340	20,120	18,040	16,100	14,300	12,630	11,080	9,650
LC*0055L^BCZ	ZF15K4E	29,700	26,930	24,310	21,790	19,360	16,950	14,550	12,090	9,530
LC*0060L^ACZ	ZF18K4E	34,840	31,690	28,730	25,950	23,350	20,920	18,640	16,480	14,450

R-404A/R-507A		Capacity BTUH @ 95°F Ambient by SST								
Model	Compressor	0°F	-5°F	-10°F	-15°F	-20°F	-25°F	-30°F	-35°F	-40°F
LC*0006L^ACZ	ZF03KAE	4,970	4,420	3,930	3,500	3,110	2,780	2,480	2,230	2,000
LC*0008L^BCZ	ZF04KAE	6,680	5,950	5,280	4,670	4,120	3,630	3,210	2,850	2,560
LC*0010L^BCZ	ZF05KAE	7,830	7,050	6,310	5,630	5,000	4,420	3,900	3,440	3,030
LC*0018L^BCZ	ZF06KAE	10,130	9,180	8,290	7,450	6,670	5,950	5,280	4,650	4,080
LC*0022L^BCZ	ZF07KAE	11,330	10,300	9,310	8,400	7,550	6,750	5,990	5,240	4,490
LC*0025L^ACZ	ZF08K4E	14,590	13,230	11,970	10,780	9,690	8,660	7,710	6,820	6,000
LC*0030L^BCZ	ZF09K4E	16,030	14,570	13,200	11,890	10,620	9,370	8,130	6,860	5,540
LC*0035L^BCZ	ZF11K4E	19,420	17,710	16,090	14,550	13,070	11,630	10,210	8,790	7,320
LC*0045L^BCZ	ZF13K4E	23,730	21,450	19,320	17,320	15,470	13,750	12,160	10,690	9,330
LC*0055L^BCZ	ZF15K4E	28,500	25,860	23,370	21,000	18,690	16,420	14,170	11,870	9,490
LC*0060L^ACZ	ZF18K4E	33,470	30,460	27,650	25,000	22,520	20,190	18,010	15,940	13,990

Notes:

* H = Outdoor, N = Indoor models only available as model Rev A
 ^ B = 208-230/1/60, C = 208-230/3/60, D = 460/3/60, E = 575/3/60

PERFORMANCE DATA – R-404A/R-507A

Low Temperature Models - Scroll Compressors (Cont.)

Please consult AWEF table on page 30 to confirm DOE compliance per model

R-404A/R-507A		Capacity BTUH @ 100°F Ambient by SST								
Model	Compressor	0°F	-5°F	-10°F	-15°F	-20°F	-25°F	-30°F	-35°F	-40°F
LC*0006L^ACZ	ZF03KAE	4,750	4,230	3,760	3,350	2,990	2,670	2,390	2,150	1,930
LC*0008L^BCZ	ZF04KAE	6,380	5,680	5,040	4,460	3,930	3,470	3,070	2,730	2,460
LC*0010L^BCZ	ZF05KAE	7,490	6,740	6,030	5,380	4,780	4,220	3,730	3,290	2,900
LC*0018L^BCZ	ZF06KAE	9,660	8,750	7,910	7,120	6,370	5,690	5,050	4,460	3,920
LC*0022L^BCZ	ZF07KAE	10,780	9,810	8,860	8,000	7,200	6,440	5,710	5,000	4,290
LC*0025L^ACZ	ZF08K4E	14,000	12,700	11,490	10,360	9,310	8,330	7,420	6,560	5,760
LC*0030L^BCZ	ZF09K4E	15,360	13,980	12,680	11,430	10,240	9,070	7,910	6,730	5,510
LC*0035L^BCZ	ZF11K4E	18,580	16,950	15,420	13,960	12,570	11,220	9,910	8,580	7,230
LC*0045L^BCZ	ZF13K4E	22,720	20,540	18,500	16,590	14,820	13,190	11,680	10,300	9,020
LC*0055L^BCZ	ZF15K4E	27,270	24,760	22,390	20,160	17,980	15,850	13,740	11,600	9,380
LC*0060L^ACZ	ZF18K4E	32,080	29,220	26,550	24,030	21,670	19,450	17,370	15,400	13,520

R-404A/R-507A		Capacity BTUH @ 110°F Ambient by SST								
Model	Compressor	0°F	-5°F	-10°F	-15°F	-20°F	-25°F	-30°F	-35°F	-40°F
LC*0006L^ACZ	ZF03KAE	4,310	3,840	3,420	3,050	2,730	2,450	2,200	1,990	1,800
LC*0008L^BCZ	ZF04KAE	5,790	5,150	4,570	4,040	3,560	3,140	2,780	2,490	2,250
LC*0010L^BCZ	ZF05KAE	6,780	6,100	5,470	4,880	4,330	3,820	3,370	2,980	2,630
LC*0018L^BCZ	ZF06KAE	8,690	7,890	7,140	6,440	5,780	5,170	4,600	4,070	3,590
LC*0022L^BCZ	ZF07KAE	9,660	8,760	7,950	7,190	6,480	5,800	5,150	4,520	3,870
LC*0025L^ACZ	ZF08K4E	12,750	11,590	10,500	9,470	8,520	7,620	6,790	6,010	5,270
LC*0030L^BCZ	ZF09K4E	14,010	12,760	11,600	10,490	9,440	8,420	7,420	6,400	5,360
LC*0035L^BCZ	ZF11K4E	16,840	15,370	14,000	12,710	11,490	10,320	9,190	8,060	6,920
LC*0045L^BCZ	ZF13K4E	20,640	18,660	16,820	15,100	13,520	12,060	10,730	9,520	8,420
LC*0055L^BCZ	ZF15K4E	24,740	22,470	20,380	18,370	16,440	14,580	12,740	10,880	8,970
LC*0060L^ACZ	ZF18K4E	29,240	26,680	24,290	22,040	19,920	17,920	16,050	14,270	12,570

Notes:

* H = Outdoor, N = Indoor models only available as model Rev A
 ^ B = 208-230/1/60, C = 208-230/3/60, D = 460/3/60, E = 575/3/60

PERFORMANCE DATA – R-448A/R-449A

Low Temperature Models - Scroll Compressors

Please consult AWEF table on page 30 to confirm DOE compliance per model

R-448A/R-449A		Capacity BTUH @ 90°F Ambient by SST								
Model	Compressor	0°F	-5°F	-10°F	-15°F	-20°F	-25°F	-30°F	-35°F	-40°F
LC*0006L^ACZ	ZF03KAE	4,620	4,120	3,680	3,280	2,930	2,610	2,330	2,070	1,830
LC*0008L^BCZ	ZF04KAE	6,240	5,560	4,930	4,340	3,810	3,340	2,930	2,570	2,280
LC*0010L^BCZ	ZF05KAE	7,250	6,480	5,770	5,110	4,490	3,940	3,440	3,000	2,620
LC*0018L^BCZ	ZF06KAE	9,330	8,390	7,540	6,730	5,980	5,290	4,670	4,090	3,560
LC*0022L^BCZ	ZF07KAE	10,270	9,260	8,330	7,500	6,740	6,030	5,350	4,710	4,070
LC*0025L^ACZ	ZF08K4E	13,370	11,990	10,740	9,590	8,530	7,560	6,680	5,870	5,130
LC*0030L^BCZ	ZF09K4E	14,660	13,180	11,820	10,550	9,370	8,270	7,240	6,260	5,320
LC*0035L^BCZ	ZF11K4E	17,820	16,080	14,460	12,960	11,550	10,270	9,090	8,010	7,010
LC*0045L^BCZ	ZF13K4E	22,270	19,950	17,790	15,790	13,940	12,260	10,730	9,350	8,110
LC*0055L^BCZ	ZF15K4E	26,700	23,950	21,440	19,110	16,980	15,030	13,270	11,670	10,250
LC*0060L^ACZ	ZF18K4E	31,050	28,020	25,200	22,560	20,110	17,860	15,790	13,890	12,140

R-448A/R-449A		Capacity BTUH @ 95°F Ambient by SST								
Model	Compressor	0°F	-5°F	-10°F	-15°F	-20°F	-25°F	-30°F	-35°F	-40°F
LC*0006L^ACZ	ZF03KAE	4,460	3,980	3,560	3,180	2,840	2,540	2,260	2,010	1,780
LC*0008L^BCZ	ZF04KAE	6,030	5,370	4,760	4,200	3,690	3,240	2,840	2,500	2,220
LC*0010L^BCZ	ZF05KAE	7,000	6,260	5,580	4,940	4,350	3,810	3,330	2,910	2,550
LC*0018L^BCZ	ZF06KAE	9,000	8,110	7,290	6,520	5,810	5,140	4,530	3,980	3,470
LC*0022L^BCZ	ZF07KAE	9,880	8,920	8,040	7,240	6,510	5,830	5,190	4,570	3,950
LC*0025L^ACZ	ZF08K4E	12,990	11,660	10,440	9,320	8,290	7,350	6,500	5,710	4,980
LC*0030L^BCZ	ZF09K4E	14,250	12,810	11,500	10,270	9,120	8,060	7,060	6,110	5,210
LC*0035L^BCZ	ZF11K4E	17,290	15,610	14,040	12,580	11,240	9,990	8,850	7,800	6,840
LC*0045L^BCZ	ZF13K4E	21,470	19,220	17,140	15,210	13,440	11,840	10,390	9,100	7,950
LC*0055L^BCZ	ZF15K4E	25,730	23,090	20,680	18,450	16,400	14,540	12,870	11,360	10,010
LC*0060L^ACZ	ZF18K4E	29,930	27,030	24,330	21,800	19,470	17,320	15,360	13,560	11,920

Notes:

* H = Outdoor, N = Indoor models only available as model Rev A
 ^ B = 208-230/1/60, C = 208-230/3/60, D = 460/3/60, E = 575/3/60

PERFORMANCE DATA – R-448A/R-449A

Low Temperature Models - Scroll Compressors (Cont.)

Please consult AWEF table on page 30 to confirm DOE compliance per model

R-448A/R-449A		Capacity BTUH @ 100°F Ambient by SST								
Model	Compressor	0°F	-5°F	-10°F	-15°F	-20°F	-25°F	-30°F	-35°F	-40°F
LC*0006L^ACZ	ZF03KAE	4,310	3,850	3,450	3,080	2,760	2,460	2,200	1,950	1,720
LC*0008L^BCZ	ZF04KAE	5,820	5,180	4,600	4,060	3,570	3,130	2,750	2,430	2,160
LC*0010L^BCZ	ZF05KAE	6,750	6,040	5,380	4,760	4,200	3,680	3,220	2,820	2,470
LC*0018L^BCZ	ZF06KAE	8,680	7,820	7,040	6,310	5,620	4,990	4,440	3,870	3,370
LC*0022L^BCZ	ZF07KAE	9,500	8,580	7,740	6,980	6,290	5,630	5,020	4,430	3,830
LC*0025L^ACZ	ZF08K4E	12,600	11,320	10,140	9,050	8,050	7,140	6,310	5,540	4,830
LC*0030L^BCZ	ZF09K4E	13,830	12,440	11,170	9,980	8,870	7,840	6,880	5,970	5,090
LC*0035L^BCZ	ZF11K4E	16,740	15,120	13,610	12,200	10,900	9,700	8,610	7,590	6,660
LC*0045L^BCZ	ZF13K4E	20,640	18,470	16,470	14,630	12,940	11,420	10,060	8,860	7,810
LC*0055L^BCZ	ZF15K4E	24,730	22,200	19,890	17,760	15,810	14,040	12,460	11,030	9,760
LC*0060L^ACZ	ZF18K4E	28,790	26,020	23,440	21,040	18,820	16,790	14,940	13,240	11,710

R-448A/R-449A		Capacity BTUH @ 110°F Ambient by SST								
Model	Compressor	0°F	-5°F	-10°F	-15°F	-20°F	-25°F	-30°F	-35°F	-40°F
LC*0006L^ACZ	ZF03KAE	4,010	3,600	3,230	2,890	2,590	2,320	2,070	1,830	1,610
LC*0008L^BCZ	ZF04KAE	5,380	4,800	4,270	3,770	3,320	2,920	2,580	2,280	2,040
LC*0010L^BCZ	ZF05KAE	6,240	5,590	4,980	4,410	3,890	3,420	3,000	2,630	2,310
LC*0018L^BCZ	ZF06KAE	8,010	7,240	6,540	5,870	5,240	4,660	4,130	3,630	3,180
LC*0022L^BCZ	ZF07KAE	8,710	7,890	7,130	6,450	5,820	5,230	4,680	4,130	3,590
LC*0025L^ACZ	ZF08K4E	11,800	10,600	9,500	8,480	7,550	6,690	5,910	5,190	4,520
LC*0030L^BCZ	ZF09K4E	12,980	11,700	10,500	9,400	8,370	7,420	6,530	5,690	4,880
LC*0035L^BCZ	ZF11K4E	15,600	14,100	12,700	11,400	10,190	9,090	8,070	7,140	6,280
LC*0045L^BCZ	ZF13K4E	18,930	16,940	15,120	13,450	11,950	10,610	9,440	8,430	7,590
LC*0055L^BCZ	ZF15K4E	22,650	20,340	18,260	16,330	14,590	13,020	11,610	10,360	9,270
LC*0060L^ACZ	ZF18K4E	26,440	23,950	21,630	19,480	17,510	15,710	14,080	12,620	11,300

Notes:

* H = Outdoor, N = Indoor models only available as model Rev A
 ^ B = 208-230/1/60, C = 208-230/3/60, D = 460/3/60, E = 575/3/60

PERFORMANCE DATA – R-407A/R-407F

Low Temperature Models - Scroll Compressors

Please consult AWEF table on page 30 to confirm DOE compliance per model

R-407A/R-407F		Capacity BTUH @ 90°F Ambient by SST								
Model	Compressor	0°F	-5°F	-10°F	-15°F	-20°F	-25°F	-30°F	-35°F	-40°F
LC*0006L^ACZ	ZF03KAE	4,670	4,170	3,720	3,310	2,950	2,630	2,340	2,090	1,860
LC*0008L^BCZ	ZF04KAE	6,350	5,640	4,980	4,380	3,840	3,360	2,940	2,590	2,310
LC*0010L^BCZ	ZF05KAE	7,360	6,560	5,810	5,120	4,480	3,910	3,410	2,980	2,610
LC*0018L^BCZ	ZF06KAE	9,580	8,620	7,740	6,920	6,150	5,440	4,770	4,150	3,580
LC*0022L^BCZ	ZF07KAE	10,530	9,550	8,620	7,780	6,970	6,210	5,490	4,780	4,080
LC*0025L^ACZ	ZF08K4E	13,690	12,330	11,050	9,840	8,710	7,650	6,680	5,800	4,990
LC*0030L^BCZ	ZF09K4E	14,900	13,580	12,260	10,930	9,640	8,440	7,360	6,440	5,730
LC*0035L^BCZ	ZF11K4E	18,010	16,490	14,920	13,320	11,770	10,300	8,980	7,860	6,990
LC*0045L^BCZ	ZF13K4E	22,420	20,090	17,870	15,780	13,840	12,090	10,560	9,260	8,250
LC*0055L^BCZ	ZF15K4E	27,000	24,170	21,540	19,080	16,830	14,810	13,060	11,590	10,430
LC*0060L^ACZ	ZF18K4E	31,670	28,520	25,520	22,650	20,010	17,620	15,530	13,750	12,330

R-407A/R-407F		Capacity BTUH @ 95°F Ambient by SST								
Model	Compressor	0°F	-5°F	-10°F	-15°F	-20°F	-25°F	-30°F	-35°F	-40°F
LC*0006L^ACZ	ZF03KAE	4,490	4,020	3,590	3,200	2,860	2,550	2,270	2,020	1,790
LC*0008L^BCZ	ZF04KAE	6,110	5,430	4,800	4,220	3,700	3,240	2,840	2,510	2,240
LC*0010L^BCZ	ZF05KAE	7,080	6,310	5,590	4,920	4,320	3,770	3,290	2,880	2,530
LC*0018L^BCZ	ZF06KAE	9,210	8,300	7,460	6,680	5,940	5,250	4,620	4,020	3,470
LC*0022L^BCZ	ZF07KAE	10,070	9,140	8,260	7,460	6,690	5,970	5,280	4,600	3,930
LC*0025L^ACZ	ZF08K4E	13,230	11,930	10,690	9,530	8,430	7,410	6,480	5,620	4,840
LC*0030L^BCZ	ZF09K4E	14,410	13,160	11,880	10,600	9,350	8,180	7,130	6,230	5,520
LC*0035L^BCZ	ZF11K4E	17,380	15,930	14,420	12,900	11,400	9,980	8,700	7,610	6,760
LC*0045L^BCZ	ZF13K4E	21,720	19,430	17,260	15,220	13,340	11,650	10,190	8,970	8,030
LC*0055L^BCZ	ZF15K4E	26,130	23,370	20,810	18,420	16,230	14,280	12,600	11,190	10,090
LC*0060L^ACZ	ZF18K4E	30,680	27,610	24,690	21,930	19,350	17,040	15,020	13,310	11,960

Notes:

* H = Outdoor, N = Indoor models only available as model Rev A
 ^ B = 208-230/1/60, C = 208-230/3/60, D = 460/3/60, E = 575/3/60

PERFORMANCE DATA – R-407A/R-407F

Low Temperature Models - Scroll Compressors (Cont.)

Please consult AWEF table on page 30 to confirm DOE compliance per model

R-407A/R-407F		Capacity BTUH @ 100°F Ambient by SST								
Model	Compressor	0°F	-5°F	-10°F	-15°F	-20°F	-25°F	-30°F	-35°F	-40°F
LC*0006L^ACZ	ZF03KAE	4,320	3,870	3,460	3,090	2,760	2,460	2,200	1,950	1,730
LC*0008L^BCZ	ZF04KAE	5,860	5,210	4,610	4,050	3,560	3,120	2,740	2,420	2,170
LC*0010L^BCZ	ZF05KAE	6,790	6,050	5,360	4,720	4,140	3,620	3,170	2,770	2,450
LC*0018L^BCZ	ZF06KAE	8,830	7,970	7,170	6,420	5,720	5,070	4,460	3,890	3,360
LC*0022L^BCZ	ZF07KAE	9,590	8,720	7,880	7,120	6,400	5,710	5,050	4,410	3,760
LC*0025L^ACZ	ZF08K4E	12,750	11,500	10,320	9,200	8,140	7,160	6,260	5,420	4,670
LC*0030L^BCZ	ZF09K4E	13,910	12,730	11,510	10,280	9,070	7,940	6,910	6,030	5,330
LC*0035L^BCZ	ZF11K4E	16,730	15,350	13,920	12,460	11,020	9,660	8,420	7,350	6,520
LC*0045L^BCZ	ZF13K4E	20,990	18,750	16,640	14,650	12,830	11,210	9,820	8,670	7,800
LC*0055L^BCZ	ZF15K4E	25,240	22,580	20,060	17,740	15,620	13,730	12,110	10,760	9,720
LC*0060L^ACZ	ZF18K4E	29,660	26,680	23,840	21,160	18,690	16,430	14,500	12,850	11,560

R-407A/R-407F		Capacity BTUH @ 110°F Ambient by SST								
Model	Compressor	0°F	-5°F	-10°F	-15°F	-20°F	-25°F	-30°F	-35°F	-40°F
LC*0006L^ACZ	ZF03KAE	3,990	3,580	3,220	2,880	2,580	2,310	2,060	1,830	1,620
LC*0008L^BCZ	ZF04KAE	5,360	4,760	4,210	3,710	3,260	2,870	2,530	2,250	2,030
LC*0010L^BCZ	ZF05KAE	6,200	5,530	4,900	4,320	3,790	3,320	2,910	2,570	2,280
LC*0018L^BCZ	ZF06KAE	8,050	7,280	6,570	5,900	5,270	4,670	4,120	3,610	3,120
LC*0022L^BCZ	ZF07KAE	8,590	7,820	7,080	6,410	5,770	5,150	4,560	3,970	3,390
LC*0025L^ACZ	ZF08K4E	11,740	10,600	9,530	8,500	7,530	6,620	5,790	5,010	4,310
LC*0030L^BCZ	ZF09K4E	12,920	11,850	10,740	9,610	8,500	7,440	6,470	5,630	4,950
LC*0035L^BCZ	ZF11K4E	15,400	14,170	12,880	11,570	10,260	9,000	7,860	6,860	6,060
LC*0045L^BCZ	ZF13K4E	19,450	17,320	15,320	13,460	11,770	10,280	9,020	8,020	7,290
LC*0055L^BCZ	ZF15K4E	23,340	20,830	18,480	16,300	14,310	12,560	11,040	9,810	8,870
LC*0060L^ACZ	ZF18K4E	27,550	24,750	22,080	19,570	17,250	15,170	13,350	11,840	10,660

Notes:

* H = Outdoor, N = Indoor models only available as model Rev A
 ^ B = 208-230/1/60, C = 208-230/3/60, D = 460/3/60, E = 575/3/60

PERFORMANCE DATA – R-407C

Low Temperature Models - Scroll Compressors

Please consult AWEF table on page 30 to confirm DOE compliance per model

R-407C		Capacity BTUH @ 90°F Ambient by SST								
Model	Compressor	0°F	-5°F	-10°F	-15°F	-20°F	-25°F	-30°F	-35°F	-40°F
LC*0006L^ACZ	ZF03KAE	4,130	3,670	3,260	2,900	2,580	2,310	2,070	1,860	1,670
LC*0008L^BCZ	ZF04KAE	5,600	4,950	4,360	3,820	3,340	2,920	2,560	2,260	2,020
LC*0010L^BCZ	ZF05KAE	6,550	5,810	5,130	4,500	3,930	3,430	2,990	2,610	2,300
LC*0018L^BCZ	ZF06KAE	8,480	7,610	6,790	6,030	5,340	4,710	4,130	3,620	3,150
LC*0022L^BCZ	ZF07KAE	9,420	8,420	7,560	6,790	6,090	5,440	4,820	4,180	3,500
LC*0025L^ACZ	ZF08K4E	—	—	—	—	—	—	—	—	—
LC*0030L^BCZ	ZF09K4E	13,120	11,920	10,710	9,520	8,380	7,330	6,410	5,630	5,040
LC*0035L^BCZ	ZF11K4E	16,020	14,600	13,140	11,660	10,260	8,960	7,810	6,870	6,200
LC*0045L^BCZ	ZF13K4E	19,420	17,330	15,370	13,520	11,830	10,330	9,030	7,940	7,120
LC*0055L^BCZ	ZF15K4E	23,430	20,950	18,610	16,440	14,450	12,690	11,170	9,930	9,000
LC*0060L^ACZ	ZF18K4E	27,620	24,750	22,070	19,540	17,230	15,160	13,370	11,880	10,740

R-407C		Capacity BTUH @ 95°F Ambient by SST								
Model	Compressor	0°F	-5°F	-10°F	-15°F	-20°F	-25°F	-30°F	-35°F	-40°F
LC*0006L^ACZ	ZF03KAE	4,000	3,560	3,160	2,820	2,510	2,250	2,010	1,810	1,630
LC*0008L^BCZ	ZF04KAE	5,420	4,790	4,220	3,700	3,240	2,830	2,490	2,200	1,980
LC*0010L^BCZ	ZF05KAE	6,340	5,620	4,960	4,360	3,810	3,320	2,900	2,540	2,240
LC*0018L^BCZ	ZF06KAE	8,210	7,370	6,580	5,850	5,190	4,580	4,020	3,520	3,060
LC*0022L^BCZ	ZF07KAE	9,090	8,130	7,310	6,570	5,900	5,280	4,680	4,060	3,400
LC*0025L^ACZ	ZF08K4E	—	—	—	—	—	—	—	—	—
LC*0030L^BCZ	ZF09K4E	12,740	11,580	10,420	9,270	8,160	7,140	6,230	5,470	4,880
LC*0035L^BCZ	ZF11K4E	15,520	14,160	12,760	11,340	9,980	8,710	7,600	6,680	6,010
LC*0045L^BCZ	ZF13K4E	18,870	16,820	14,890	13,090	11,440	9,980	8,730	7,710	6,940
LC*0055L^BCZ	ZF15K4E	22,790	20,350	18,070	15,940	14,010	12,290	10,830	9,640	8,750
LC*0060L^ACZ	ZF18K4E	26,880	24,070	21,440	18,980	16,730	14,720	12,980	11,550	10,470

Notes:

* H = Outdoor, N = Indoor models only available as model Rev A
 ^ B = 208-230/1/60, C = 208-230/3/60, D = 460/3/60, E = 575/3/60

PERFORMANCE DATA – R-407C

Low Temperature Models - Scroll Compressors (Cont.)

Please consult AWEF table on page 30 to confirm DOE compliance per model

R-407C		Capacity BTUH @ 100°F Ambient by SST								
Model	Compressor	0°F	-5°F	-10°F	-15°F	-20°F	-25°F	-30°F	-35°F	-40°F
LC*0006L^ACZ	ZF03KAE	3,870	3,440	3,070	2,730	2,440	2,180	1,960	1,770	1,590
LC*0008L^BCZ	ZF04KAE	5,230	4,630	4,080	3,580	3,130	2,750	2,420	2,150	1,930
LC*0010L^BCZ	ZF05KAE	6,120	5,430	4,800	4,210	3,690	3,220	2,810	2,470	2,180
LC*0018L^BCZ	ZF06KAE	7,940	7,140	6,380	5,680	5,030	4,440	3,910	3,420	2,980
LC*0022L^BCZ	ZF07KAE	8,760	7,850	7,060	6,350	5,710	5,110	4,530	3,940	3,300
LC*0025L^ACZ	ZF08K4E	—	—	—	—	—	—	—	—	—
LC*0030L^BCZ	ZF09K4E	12,360	11,250	10,130	9,020	7,950	6,950	6,060	5,310	4,730
LC*0035L^BCZ	ZF11K4E	15,030	13,720	12,370	11,020	9,690	8,470	7,380	6,480	5,820
LC*0045L^BCZ	ZF13K4E	18,310	16,300	14,410	12,640	11,050	9,630	8,430	7,470	6,760
LC*0055L^BCZ	ZF15K4E	22,120	19,730	17,500	15,430	13,540	11,880	10,470	9,320	8,480
LC*0060L^ACZ	ZF18K4E	26,130	23,380	20,810	18,410	16,210	14,260	12,590	11,210	10,180

R-407C		Capacity BTUH @ 110°F Ambient by SST								
Model	Compressor	0°F	-5°F	-10°F	-15°F	-20°F	-25°F	-30°F	-35°F	-40°F
LC*0006L^ACZ	ZF03KAE	3,610	3,220	2,870	2,570	2,300	2,060	1,850	1,670	1,510
LC*0008L^BCZ	ZF04KAE	4,860	4,300	3,790	3,330	2,930	2,570	2,270	2,030	1,840
LC*0010L^BCZ	ZF05KAE	5,690	5,050	4,460	3,920	3,440	3,010	2,640	2,320	2,060
LC*0018L^BCZ	ZF06KAE	7,400	6,660	5,970	5,320	4,730	4,180	3,680	3,230	2,810
LC*0022L^BCZ	ZF07KAE	8,090	7,260	6,540	5,900	5,320	4,770	4,230	3,680	3,080
LC*0025L^ACZ	ZF08K4E	—	—	—	—	—	—	—	—	—
LC*0030L^BCZ	ZF09K4E	11,610	10,590	9,560	8,520	7,520	6,580	5,740	5,010	4,440
LC*0035L^BCZ	ZF11K4E	14,030	12,830	11,590	10,340	9,120	7,980	6,960	6,100	5,460
LC*0045L^BCZ	ZF13K4E	17,140	15,200	13,400	11,730	10,230	8,920	7,830	6,970	6,380
LC*0055L^BCZ	ZF15K4E	20,690	18,420	16,290	14,320	12,550	10,980	9,670	8,610	7,850
LC*0060L^ACZ	ZF18K4E	24,560	21,960	19,480	17,200	15,130	13,290	11,730	10,460	9,530

Notes:

* H = Outdoor, N = Indoor models only available as model Rev A
 ^ B = 208-230/1/60, C = 208-230/3/60, D = 460/3/60, E = 575/3/60

UNIT SPECIFICATIONS

Medium & Low Temperature Models - Scroll Compressors

Please consult AWEF table on pages 27-29 to confirm DOE compliance per model

Model	Compressor	Refrigerant Line Connections (OD)		Rec. Capacity @90% full (lbs)		Cabinet ^h	Dimensions (In.)			Net Wt. (lbs.)	Sound Data dBa ^a
		Liquid	Suction	Std	Opt		Depth	Width	Height		
LC*0005M^ACZ	ZB06KAE	3/8	5/8	9	—	C1	28.25	24.625	19.75	167	61
LC*0008M^ACZ	ZB07KAE	3/8	5/8	9	—	C1	28.25	24.625	19.75	168	61
LC*0009M^ACZ	ZB08KAE	3/8	5/8	9	—	C1	28.25	24.625	19.75	168	61
LC*0010M^A+Z	ZS09KAE / MPA010	3/8	5/8	9	—	C1	28.25	24.625	19.75	179	61
LC*0012M^ACZ	ZS11KAE	1/2	7/8	14	20	C2	28.25	39.125	19.75	215	63
LC*0015M^A+Z	ZS13KAE / MPA013	1/2	7/8	14	20	C2	28.25	39.125	19.75	221	63
LC*0020M^A+Z	ZS15KAE / MPA015	1/2	7/8	14	20	C2	28.25	39.125	19.75	221	63
LC*0025M^A+Z	ZS19KAE / MPA019	1/2	7/8	14	20	C2	28.25	39.125	19.75	230	63
LC*0027M^ACZ	ZS20KAE	1/2	7/8	20	40	C3	30.25	43.875	29.25	290	63
LC*0030M^A+Z	ZS21KAE / MBA021	1/2	7/8	20	40	C3	30.25	43.875	29.25	297	63
LC*0035M^A+Z	ZS26KAE / MBA026	1/2	7/8	20	40	C3	30.25	43.875	29.25	300	63
LC*0045M^A+Z	ZS29KAE / MBA029	1/2	1 1/8	20	40	C3	30.25	43.875	29.25	327	63
LC*0050M^A+Z	ZS33KAE / MBA033	1/2	1 1/8	20	40	C3	30.25	43.875	29.25	330	63
LC*0055M^A+Z	ZS38K4E / MRA038	1/2	1 1/8	20	40	C3	30.25	43.875	29.25	332	63
LC*0060M^A+Z	ZS45K4E / MRA045	1/2	1 1/8	20	40	C3	30.25	43.875	29.25	335	63
LC*0006L^ACZ	ZF03KAE	3/8	5/8	9	—	C1	28.25	24.625	19.75	169	63
LC*0008L^BCZ	ZF04KAE	3/8	5/8	9	—	C1	28.25	24.625	19.75	171	63
LC*0010L^BCZ	ZF05KAE	3/8	5/8	9	—	C1	28.25	24.625	19.75	172	63
LC*0018L^BCZ	ZF06KAE	3/8	5/8	9	—	C1	28.25	24.625	19.75	170	63
LC*0022L^BCZ	ZF07KAE	3/8	5/8	9	—	C1	28.25	24.625	19.75	173	63
LC*0025L^ACZ	ZF08K4E	1/2	7/8	14	20	C2	28.25	39.125	19.75	230	64
LC*0030L^BCZ	ZF09K4E	1/2	7/8	14	20	C2	28.25	39.125	19.75	230	64
LC*0035L^BCZ	ZF11K4E	1/2	7/8	14	20	C2	28.25	39.125	19.75	232	64
LC*0045L^BCZ	ZF13K4E	1/2	7/8	20	40	C3	30.25	43.875	29.25	317	64
LC*0055L^BCZ	ZF15K4E	1/2	7/8	20	40	C3	30.25	43.875	29.25	323	64
LC*0060L^ACZ	ZF18K4E	1/2	7/8	20	40	C3	30.25	43.875	29.25	327	64

Notes:

* H = Outdoor, N = Indoor models only available as model Rev A
 ^ B = 208-230/1/60, C = 208-230/3/60, D = 460/3/60, E = 575/3/60
 † C = Copeland, L = LG

a. Estimated sound pressure values are 10 feet from the unit. For estimating sound pressure from the unit at different distances, deduct the following from the unit values: 20 feet, deduct 6 dBA; for 40 feet, deduct 12 dBA; for 80 feet, deduct 18 dBA. This data is typical of "free field" conditions for horizontal air cooled condensing units at the outlet of the discharge air. The actual sound measurements may vary depending on the condensing unit installation. Factors such as reflecting walls, background noise and mounting conditions may have a significant influence on this data.

h. See Page 43 for dimensional drawings

ELECTRICAL DATA

Medium Temperature Models - Copeland Scroll Compressors

Please consult AWEF table on page 27-28 to confirm DOE compliance per model

Model	Compressor	Power ^d	Compressor		Condenser		Air Defrost or Remote Controller		Remote Loads			
			RLA ^c	LRA	No. Fans	FLA	MCA	MOPD	Evap. Fan Amps	Defrost Htrs. Amps	Electric Defrost	
											MCA	MOPD
LC*0005MBACZ	ZB06KAE-PFV	208-230/1/60	5.4	35.7	1	0.5	15.0	15.0	5	15	20	20
LC*0005MCACZ	ZB06KAE-TF5	208-230/3/60	4.3	37.8	1	0.5	15.0	15.0	5	15	20	20
LC*0008MBACZ	ZB07KAE-PFV	208-230/1/60	5.6	48.0	1	0.5	15.0	15.0	5	15	20	20
LC*0008MCACZ	ZB07KAE-TF5	208-230/3/60	4.7	37.8	1	0.5	15.0	15.0	5	15	20	20
LC*0009MBACZ	ZB08KAE-PFV	208-230/1/60	7.2	47.2	1	0.5	15.0	15.0	5	15	20	20
LC*0009MCACZ	ZB08KAE-TF5	208-230/3/60	4.7	37.8	1	0.5	15.0	15.0	5	15	20	20
LC*0010MBACZ	ZS09KAE-PFV	208-230/1/60	9.0	40.3	1	0.5	15.0	20.0	5	15	20	25
LC*0010MCACZ	ZS09KAE-TF5	208-230/3/60	7.2	55.4	1	0.5	15.0	15.0	5	15	20	20
LC*0010MDACZ	ZS09KAE-TFD	460/3/60	3.4	28.0	1	0.5	15.0	15.0	5	15	20	20
LC*0012MBACZ	ZS11KAE-PFV	208-230/1/60	11.3	55.0	2	1	20.0	25.0	10	30	37.5	40
LC*0012MCACZ	ZS11KAE-TF5	208-230/3/60	9.3	58.0	2	1	15.0	20.0	9	23	28.8	30
LC*0012MDACZ	ZS11KAE-TFD	460/3/60	3.8	28.0	2	1	15.0	15.0	b	b	15	15
LC*0015MBACZ	ZS13KAE-PFV	208-230/1/60	10.8	56.0	2	1	15.0	25.0	10	30	37.5	40
LC*0015MCACZ	ZS13KAE-TF5	208-230/3/60	8.7	58.0	2	1	15.0	20.0	9	23	28.8	30
LC*0015MDACZ	ZS13KAE-TFD	460/3/60	4.3	29.0	2	1	15.0	15.0	b	b	15	15
LC*0015MEACZ	ZS13KAE-TFE	575/3/60	3.2	24.5	2	1	15.0	15.0	b	b	15	15
LC*0020MBACZ	ZS15KAE-PFV	208-230/1/60	14.1	68.0	2	1	20.0	30.0	10	30	37.5	40
LC*0020MCACZ	ZS15KAE-TF5	208-230/3/60	9.6	58.0	2	1	15.0	20.0	9	23	28.8	30
LC*0020MDACZ	ZS15KAE-TFD	460/3/60	4.8	29.0	2	1	15.0	15.0	b	b	15	15
LC*0020MEACZ	ZS15KAE-TFE	575/3/60	3.5	24	2	1	15.0	15.0	b	b	15	15
LC*0025MBACZ	ZS19KAE-PFV	208-230/1/60	16.2	75.0	2	1	21.2	35.0	10	30	37.5	45
LC*0025MCACZ	ZS19KAE-TF5	208-230/3/60	12.3	73.0	2	1	20.0	25.0	9	23	28.8	35
LC*0025MDACZ	ZS19KAE-TFD	460/3/60	5.8	38.0	2	1	15.0	15.0	b	b	15	15
LC*0025MEACZ	ZS19KAE-TFE	575/3/60	3.8	28	2	1	15.0	15.0	b	b	15	15
LC*0027MBACZ	ZS20KAE-PFV	208-230/1/60	17.8	88.0	1	3.5	25.7	40.0	10	30	37.5	50
LC*0027MCACZ	ZS20KAE-TF5	208-230/3/60	10.8	76.9	1	3.5	20.0	25.0	10	30	37.5	40
LC*0027MDACZ	ZS20KAE-TFD	460/3/60	4.9	41.6	1	1.9	15.0	15.0	9	23	28.8	30
LC*0027MEACZ	ZS20KAE-TFE	575/3/60	4.4	33.0	1	1.4	15.0	15.0	7	18	28.8	30
LC*0030MBACZ	ZS21KAE-PFV	208-230/1/60	20.8	112.0	1	3.5	29.5	50.0	10	30	39.5	60
LC*0030MCACZ	ZS21KAE-TF5	208-230/3/60	13.7	93.0	1	3.5	20.6	30.0	10	30	37.5	40
LC*0030MDACZ	ZS21KAE-TFD	460/3/60	6.2	48.0	1	1.9	15.0	15.0	9	23	28.8	30
LC*0030MEACZ	ZS21KAE-TFE	575/3/60	5.2	33	1	1.4	15.0	15.0	7	18	22.5	25
LC*0035MBACZ	ZS26KAE-PFV	208-230/1/60	21.2	104.0	1	3.5	29.9	50.0	10	30	39.9	60
LC*0035MCACZ	ZS26KAE-TF5	208-230/3/60	13.9	93.0	1	3.5	20.9	30.0	10	30	37.5	40
LC*0035MDACZ	ZS26KAE-TFD	460/3/60	6.2	48.0	1	1.9	15.0	15.0	9	23	28.8	30

Notes:

* H = Outdoor, N = Indoor

b. Power supplied by customer

c. Per UL and NEC, RLA values have been calculated by dividing the Maximum Continuous Current (MCC) by 1.56.

d. Unless otherwise noted, model is available for 50 Hz. Consult factory for details.

ELECTRICAL DATA

Medium Temperature Models - Copeland Scroll Compressors (Cont.)

Please consult AWEF table on page 27-28 to confirm DOE compliance per model

Model	Compressor	Power ^d	Remote Loads									
			Compressor		Condenser		Air Defrost or Remote Controller		Evap. Fan Amps	Defrost Htrs. Amps	Electric Defrost	
			RLA ^c	LRA	No. Fans	FLA	MCA	MOPD			MCA	MOPD
LC*0035MEACZ	ZS26KAE-TFE	575/3/60	5.7	38	1	1.4	15	15	7	18	22.5	25
LC*0045MBACZ	ZS29KAE-PFV	208-230/1/60	23.4	137.0	1	3.5	32.7	50.0	10	30	42.7	60
LC*0045MCACZ	ZS29KAE-TF5	208-230/3/60	18.4	114.0	1	3.5	26.5	40.0	10	30	37.5	50
LC*0045MDACZ	ZS29KAE-TFD	460/3/60	8.4	58.0	1	1.9	15.0	20.0	9	23	28.8	30
LC*0045MEACZ	ZS29KAE-TFE	575/3/60	5.2	43	1	1.4	15.0	15.0	7	18	22.5	25
LC*0050MBACZ	ZS33KAE-PFV	208-230/1/60	23.0	146.0	1	3.5	32.3	50.0	10	30	42.3	60
LC*0050MCACZ	ZS33KAE-TF5	208-230/3/60	20.0	114.0	1	3.5	28.5	45.0	10	30	38.5	50
LC*0050MDACZ	ZS33KAE-TFD	460/3/60	9.0	52.0	1	1.9	15.0	20.0	9	23	28.8	30
LC*0050MEACZ	ZS33KAE-TFE	575/3/60	6.2	39.5	1	1.4	15.0	15.0	7	18	22.5	25
LC*0055MBACZ	ZS38K4E-PFV	208-230/1/60	28.5	169.0	1	3.5	39.2	60.0	10	30	49.2	60
LC*0055MCACZ	ZS38K4E-TF5	208-230/3/60	19.2	123.0	1	3.5	27.5	45.0	10	30	37.5	50
LC*0055MDACZ	ZS38K4E-TFD	460/3/60	8.7	62.0	1	1.9	15.0	20.0	9	23	28.8	30
LC*0055MEACZ	ZS38K4E-TFE	575/3/60	7.1	50	1	1.4	15.0	15.0	7	18	22.5	25
LC*0060MCACZ	ZS45K4E-TF5	208-230/3/60	21.5	156.0	1	3.5	30.3	50.0	10	30	40.3	60
LC*0060MDACZ	ZS45K4E-TFD	460/3/60	8.3	75.0	1	1.9	15.0	20.0	9	23	28.8	30
LC*0060MEACZ	ZS45K4E-TFE	575/3/60	7.1	54	1	1.4	15.0	15.0	7	18	22.5	25

Notes:

* H = Outdoor, N = Indoor

b. Power supplied by customer

c. Per UL and NEC, RLA values have been calculated by dividing the Maximum Continuous Current (MCC) by 1.56.

d. Unless otherwise noted, model is available for 50 Hz. Consult factory for details.

ELECTRICAL DATA

Medium Temperature Models - LG Scroll Compressors

Please consult AWEF table on page 29 to confirm DOE compliance per model

Model	Compressor	Power ^d	Remote Loads									
			Compressor		Condenser		Air Defrost or Remote Controller		Evap. Fan Amps	Defrost Htrs. Amps	Electric Defrost	
			RLA ^c	LRA	No. Fans	FLA	MCA	MOPD			MCA	MOPD
LC*0010MBALZ	MPA010KAA	208-230/1/60 ^e	7.3	42.0	1	0.5	15.0	15.0	5	15	20	20
LC*0010MCALZ	MPA010RAA	208-230/3/60 ^e	4.8	56.0	1	0.5	15.0	15.0	5	15	20	20
LC*0010MDALZ	MPA010SAA	460/3/60 ^e	2.8	29.0	1	0.5	15.0	15.0	5	15	20	20
LC*0015MBALZ	MPA013KAA	208-230/1/60 ^e	10.3	67.0	2	1	15.0	20.0	10	30	37.5	40
LC*0015MCALZ	MPA013RAA	208-230/3/60 ^e	6.4	62.0	2	1	15.0	15.0	9	23	28.8	30
LC*0015MDALZ	MPA013SAA	460/3/60 ^e	3.8	31.0	2	1	15.0	15.0	b	b	15	15
LC*0020MBALZ	MPA015KAA	208-230/1/60 ^e	11.5	77.0	2	1	20.0	25.0	10	30	37.5	40
LC*0020MCALZ	MPA015RAA	208-230/3/60 ^e	7.1	62.0	2	1	15.0	15.0	9	23	28.8	30
LC*0020MDALZ	MPA015SAA	460/3/60 ^e	3.8	31.0	2	1	15.0	15.0	b	b	15	15
LC*0025MBALZ	MPA019KAA	208-230/1/60 ^e	12.8	77.0	2	1	20.0	25.0	10	30	37.5	40
LC*0025MCALZ	MPA019RAA	208-230/3/60 ^e	7.7	69.0	2	1	15.0	15.0	9	23	28.8	30
LC*0025MDALZ	MPA019SAA	460/3/60 ^e	3.8	31.0	2	1	15.0	15.0	b	b	15	15
LC*0030MBALZ	MBA021KAA	208-230/1/60 ^e	17.9	94.0	1	3.5	25.9	40.0	10	30	37.5	50
LC*0030MCALZ	MBA021RAA	208-230/3/60 ^e	12.2	118.0	1	3.5	20.0	30.0	10	30	37.5	40
LC*0030MDALZ	MBA021SAA	460/3/60 ^e	5.8	69.0	1	1.9	15.0	15.0	9	23	28.8	30
LC*0035MBALZ	MBA026KAA	208-230/1/60 ^e	19.2	118.0	1	3.5	27.5	45.0	10	30	37.5	50
LC*0035MCALZ	MBA026RAA	208-230/3/60 ^e	11.5	118.0	1	3.5	20.0	25.0	10	30	37.5	40
LC*0035MDALZ	MBA026SAA	460/3/60 ^e	5.8	69.0	1	1.9	15.0	15.0	9	23	28.8	30
LC*0045MBALZ	MBA029KAA	208-230/1/60 ^e	22.4	118.0	1	3.5	31.5	50.0	10	30	41.5	60
LC*0045MCALZ	MBA029RAA	208-230/3/60 ^e	12.2	115.0	1	3.5	20.0	30.0	10	30	37.5	40
LC*0045MDALZ	MBA029SAA	460/3/60 ^e	5.8	69.0	1	1.9	15.0	15.0	9	23	28.8	30
LC*0050MBALZ	MBA033KAA	208-230/1/60 ^e	21.8	118.0	1	3.5	30.7	50.0	10	30	40.7	60
LC*0050MCALZ	MBA033RAA	208-230/3/60 ^e	12.2	115.0	1	3.5	20.0	30.0	10	30	37.5	40
LC*0050MDALZ	MBA033SAA	460/3/60 ^e	6.4	60.0	1	1.9	15.0	15.0	9	23	28.8	30
LC*0055MBALZ	MRA038KAA	208-230/1/60 ^e	25.1	159.0	1	3.5	34.8	50.0	10	30	44.8	60
LC*0055MCALZ	MRA038RAA	208-230/3/60 ^e	18.3	137.0	1	3.5	26.4	40.0	10	30	37.5	50
LC*0055MDALZ	MRA038SAA	460/3/60 ^e	9.1	84.0	1	1.9	15.0	20.0	9	23	28.8	30
LC*0060MCALZ	MRA045RAA	208-230/3/60 ^e	18.7	156.0	1	3.5	26.8	45.0	10	30	37.5	50
LC*0060MDALZ	MRA045SAA	460/3/60 ^e	8.8	84.0	1	1.9	15.0	20.0	9	23	28.8	30

Notes:

* H = Outdoor, N = Indoor

b. Power supplied by customer

c. Per UL and NEC, RLA values have been calculated by dividing the Maximum Continuous Current (MCC) by 1.56.

d. Unless otherwise noted, model is available for 50 Hz. Consult factory for details.

e. Compressor not rated for 50 Hz operation.

ELECTRICAL DATA

Low Temperature Models - Copeland Scroll Compressors

Please consult AWEF table on page 30 to confirm DOE compliance per model

Model	Compressor	Power ^d	Remote Loads										
			Compressor		Condenser		Air Defrost or Remote Controller		Evap. Fan Amps	Defrost Htrs. Amps	Electric Defrost		
			RLA ^c	LRA	No. Fans	FLA	MCA	MOPD			MCA	MOPD	
LC*0006LBACZ	ZF03KAE-PFV	208-230/1/60	5.4	42.3	1	0.5	15.0	15.0	5	15	20	20	
LC*0006LCACZ	ZF03KAE-TF5	208-230/3/60	3.7	31.7	1	0.5	15.0	15.0	5	15	20	20	
LC*0008LBBCZ	ZF04KAE-PFV	208-230/1/60	6.6	40.3	1	0.5	15.0	15.0	5	15	20	20	
LC*0008LCBCZ	ZF04KAE-TF5	208-230/3/60	6.0	55.4	1	0.5	15.0	15.0	5	15	20	20	
LC*0008LDBCZ	ZF04KAE-TFD	460/3/60	3.0	28.0	1	0.5	15.0	15.0	5	15	20	20	
LC*0010LBBCZ	ZF05KAE-PFV	208-230/1/60	7.8	55.0	1	0.5	15.0	15.0	5	15	20	20	
LC*0010LCBCZ	ZF05KAE-TF5	208-230/3/60	6.6	58.0	1	0.5	15.0	15.0	5	15	20	20	
LC*0010LDBCZ	ZF05KAE-TFD	460/3/60	2.9	28.0	1	0.5	15.0	15.0	5	15	20	20	
LC*0018LBBCZ	ZF06KAE-PFV	208-230/1/60	12.2	68.0	1	0.5	20.0	25.0	5	15	20.8	30	
LC*0018LCBCZ	ZF06KAE-TF5	208-230/3/60	7.4	58.0	1	0.5	15.0	15.0	5	15	20	20	
LC*0018LDBCZ	ZF06KAE-TFD	460/3/60	3.7	28.0	1	0.5	15.0	15.0	5	15	20	20	
LC*0022LBBCZ	ZF07KAE-PFV	208-230/1/60	12.4	75.0	1	0.5	20.0	25.0	5	15	21	30	
LC*0022LCBCZ	ZF07KAE-TF5	208-230/3/60	7.8	58.0	1	0.5	15.0	15.0	5	15	20	20	
LC*0022LDBCZ	ZF07KAE-TFD	460/3/60	3.6	28.0	1	0.5	15.0	15.0	5	15	20	20	
LC*0025LBACZ	ZF08K4E-PFV	208-230/1/60	14.7	73.0	2	1	20.0	30.0	10	30	37.5	40	
LC*0025LCACZ	ZF08K4E-TF5	208-230/3/60	8.7	63.0	2	1	15.0	20.0	9	23	28.8	30	
LC*0025LDACZ	ZF08K4E-TFD	460/3/60	4.5	31.0	2	1	15.0	15.0	b	b	15	15	
LC*0030LBACZ	ZF09K4E-PFV	208-230/1/60	12.8	88.0	2	1	20.0	25.0	10	30	37.5	40	
LC*0030LCBCZ	ZF09K4E-TF5	208-230/3/60	9.9	77.0	2	1	15.0	20.0	9	23	28.8	30	
LC*0030LDBCZ	ZF09K4E-TFD	460/3/60	4.5	39.0	2	1	15.0	15.0	b	b	15	15	
LC*0030LEBCZ	ZF09K4E-TFE	575/3/60	3.5	31	2	1	15.0	15.0	b	b	15	15	
LC*0035LBACZ	ZF11K4E-PFV	208-230/1/60	16.3	109.0	2	1	21.4	35.0	10	30	37.5	45	
LC*0035LCBCZ	ZF11K4E-TF5	208-230/3/60	12.2	88.0	2	1	20.0	25.0	9	23	28.8	35	
LC*0035LDBCZ	ZF11K4E-TFD	460/3/60	5.8	44.0	2	1	15.0	15.0	b	b	15	15	
LC*0035LEBCZ	ZF11K4E-TFE	575/3/60	4.2	34	2	1	15.0	15.0	b	b	15	15	
LC*0045LBBCZ	ZF13K4E-PFV	208-230/1/60	24.0	129.0	1	3.5	33.5	50.0	10	30	43.5	60	
LC*0045LCBCZ	ZF13K4E-TF5	208-230/3/60	11.9	99.0	1	3.5	20.0	30.0	10	30	37.5	40	
LC*0045LDBCZ	ZF13K4E-TFD	460/3/60	6.4	49.5	1	1.9	15.0	15.0	9	23	28.8	30	
LC*0045LEBCZ	ZF13K4E-TFE	575/3/60	6.4	39.6	1	1.4	15.0	15.0	7	18	23	25	
LC*0055LBBCZ	ZF15K4E-PFV	208-230/1/60	24.7	169.0	1	3.5	34.3	50.0	10	30	44.3	60	
LC*0055LCBCZ	ZF15K4E-TF5	208-230/3/60	17.0	123.0	1	3.5	24.7	40.0	10	30	37.5	50	
LC*0055LDBCZ	ZF15K4E-TFD	460/3/60	8.7	62.0	1	1.9	15.0	20.0	9	23	28.8	30	
LC*0055LEBCZ	ZF15K4E-TFE	575/3/60	5.8	50	1	1.4	15.0	15.0	7	18	23	25	
LC*0060LCACZ	ZF18K4E-TF5	208-230/3/60	21.5	156.0	1	3.5	30.3	50.0	10	30	40.3	60	
LC*0060LDACZ	ZF18K4E-TFD	460/3/60	8.0	75.0	1	1.9	15.0	15.0	9	23	28.8	30	
LC*0060LEACZ	ZF18K4E-TFE	575/3/60	7.1	54	1	1.4	15.0	15.0	7	18	23	25	

Notes:

* H = Outdoor, N = Indoor models only available as model Rev A

b. Power supplied by customer

c. Per UL and NEC, RLA values have been calculated by dividing the Maximum Continuous Current (MCC) by 1.56.

d. Unless otherwise noted, model is available for 50 Hz. Consult factory for details.

AWEF DATA – MEDIUM TEMPERATURE

Copeland Scroll Compressor Models - Indoor/Outdoor

If model has a numerical value in the table below, the following statement applies:

“This refrigeration system is designed and certified for use in walk-in cooler applications.”

Model	Indoor						Outdoor					
	R-404A/ R-507A	R-448A	R-449A	R-407A	R-407C	R-407F	R-404A/ R-507A	R-448A	R-449A	R-407A	R-407C	R-407F
LC*0005MBACZ	—	—	—	—	—	X	7.60	7.60	7.60	—	7.60	X
LC*0005MCACZ	—	—	—	—	—	X	7.60	7.60	7.60	7.60	7.60	X
LC*0008MBACZ	—	—	—	—	—	X	7.60	7.60	7.60	7.60	7.60	X
LC*0008MCACZ	—	—	—	—	—	X	7.60	7.60	7.60	7.60	7.60	X
LC*0009MBACZ	—	—	—	—	—	X	7.60	7.60	7.60	7.60	7.60	X
LC*0009MCACZ	—	—	—	—	—	X	7.60	7.60	7.60	7.60	7.60	X
LC*0010MBACZ	—	—	—	—	—	X	7.60	7.60	7.60	7.60	7.60	X
LC*0010MCACZ	—	—	—	—	—	X	7.60	7.60	7.60	7.60	7.60	X
LC*0010MDACZ	—	—	—	—	—	X	7.60	7.60	7.60	7.60	7.60	X
LC*0012MBACZ	5.61	—	—	—	X	X	7.60	7.60	7.60	7.60	X	X
LC*0012MCACZ	5.61	—	—	—	X	X	7.60	7.60	7.60	7.60	X	X
LC*0012MDACZ	5.61	—	—	—	X	X	7.60	7.60	7.60	7.60	X	X
LC*0015MBACZ	5.61	—	—	—	X	X	7.60	7.60	7.60	7.60	7.60	X
LC*0015MCACZ	5.61	—	—	—	—	X	7.60	7.60	7.60	7.60	7.60	X
LC*0015MDACZ	5.61	—	—	—	—	X	7.60	7.60	7.60	7.60	7.60	X
LC*0015MEACZ	5.61	—	—	—	—	X	7.60	7.60	7.60	7.60	7.60	X
LC*0020MBACZ	5.61	—	—	—	5.61	X	7.60	7.60	7.60	7.60	7.60	X
LC*0020MCACZ	5.61	—	—	—	5.61	X	7.60	7.60	7.60	7.60	7.60	X
LC*0020MDACZ	5.61	—	—	—	5.61	X	7.60	7.60	7.60	7.60	7.60	X
LC*0020MEACZ	5.61	—	—	—	5.61	X	7.60	7.60	7.60	7.60	7.60	X
LC*0025MBACZ	5.61	—	—	—	—	X	7.60	7.60	7.60	7.60	7.60	X
LC*0025MCACZ	5.61	—	—	—	—	X	7.60	7.60	7.60	7.60	7.60	X
LC*0025MDACZ	5.61	—	—	—	—	X	7.60	7.60	7.60	7.60	7.60	X
LC*0025MEACZ	5.61	—	—	—	—	X	7.60	7.60	7.60	7.60	7.60	X
LC*0027MBACZ	5.61	5.61	5.61	5.61	X	X	7.60	7.60	7.60	7.60	X	X
LC*0027MCACZ	5.61	5.61	5.61	5.61	X	X	7.60	7.60	7.60	7.60	X	X
LC*0027MDACZ	5.61	5.61	5.61	5.61	X	X	7.60	7.60	7.60	7.60	X	X
LC*0027MEACZ	5.61	5.61	5.61	5.61	X	X	7.60	7.60	7.60	7.60	X	X
LC*0030MBACZ	5.61	5.61	5.61	5.61	5.61	X	7.60	7.60	7.60	7.60	7.60	X
LC*0030MCACZ	5.61	5.61	5.61	5.61	5.61	X	7.60	7.60	7.60	7.60	7.60	X
LC*0030MDACZ	5.61	5.61	5.61	5.61	5.61	X	7.60	7.60	7.60	7.60	7.60	X
LC*0030MEACZ	5.61	5.61	5.61	5.61	5.61	X	7.60	7.60	7.60	7.60	7.60	X
LC*0035MBACZ	5.61	5.61	5.61	5.61	5.61	X	7.60	7.60	7.60	7.60	7.60	X
LC*0035MCACZ	5.61	5.61	5.61	5.61	5.61	X	7.60	7.60	7.60	7.60	7.60	X
LC*0035MDACZ	5.61	5.61	5.61	5.61	5.61	X	7.60	7.60	7.60	7.60	7.60	X
LC*0035MEACZ	5.61	5.61	5.61	5.61	5.61	X	7.60	7.60	7.60	7.60	7.60	X
LC*0045MBACZ	5.61	5.61	5.61	5.61	5.61	X	7.60	7.60	7.60	7.60	7.60	X
LC*0045MCACZ	5.61	5.61	5.61	5.61	5.61	X	7.60	7.60	7.60	7.60	7.60	X
LC*0045MDACZ	5.61	5.61	5.61	5.61	5.61	X	7.60	7.60	7.60	7.60	7.60	X
LC*0045MEACZ	5.61	5.61	5.61	5.61	5.61	X	7.60	7.60	7.60	7.60	7.60	X

Notes:

*H = Outdoor, N = Indoor

X = model not suitable for this refrigerant

— = model is not DOE AWEF compliant

AWEF DATA – MEDIUM TEMPERATURE

Copeland Scroll Compressor Models - Indoor/Outdoor (Cont.)

If model has a numerical value in the table below, the following statement applies:

“This refrigeration system is designed and certified for use in walk-in cooler applications.”

Model	Indoor						Outdoor					
	R-404A/ R-507A	R-448A	R-449A	R-407A	R-407C	R-407F	R-404A/ R-507A	R-448A	R-449A	R-407A	R-407C	R-407F
LC*0050MBACZ	5.61	—	—	—	5.61	X	7.60	7.60	7.60	7.60	7.60	X
LC*0050MCACZ	5.61	—	—	—	5.61	X	7.60	7.60	7.60	7.60	7.60	X
LC*0050MDACZ	5.61	—	—	—	5.61	X	7.60	7.60	7.60	7.60	7.60	X
LC*0050MEACZ	5.61	—	—	—	5.61	X	7.60	7.60	7.60	7.60	7.60	X
LC*0055MBACZ	5.61	—	—	—	5.61	X	7.60	—	—	7.60	7.60	X
LC*0055MCACZ	5.61	—	—	—	5.61	X	7.60	7.60	7.60	7.60	7.60	X
LC*0055MDACZ	5.61	—	—	—	5.61	X	7.60	7.60	7.60	7.60	7.60	X
LC*0055MEACZ	5.61	—	—	—	5.61	X	7.60	7.60	7.60	7.60	7.60	X
LC*0060MCACZ	5.61	—	—	—	5.61	X	7.60	7.60	7.60	7.60	7.60	X
LC*0060MDACZ	5.61	—	—	—	5.61	X	7.60	7.60	7.60	7.60	7.60	X
LC*0060MEACZ	5.61	—	—	—	5.61	X	7.60	7.60	7.60	7.60	7.60	X

AWEF DATA – MEDIUM TEMPERATURE

LG Scroll Compressor Models - Indoor/Outdoor

If model has a numerical value in the table below, the following statement applies:

“This refrigeration system is designed and certified for use in walk-in cooler applications.”

Model	Indoor						Outdoor					
	R-404A/ R-507A	R-448A	R-449A	R-407A	R-407C	R-407F	R-404A/ R-507A	R-448A	R-449A	R-407A	R-407C	R-407F
LC*0010MBALZ	—	—	—	—	—	X	7.60	7.60	7.60	7.60	7.60	X
LC*0010MCALZ	—	—	—	—	—	X	7.60	7.60	7.60	7.60	7.60	X
LC*0010MDALZ	—	—	—	—	—	X	7.60	7.60	7.60	7.60	7.60	X
LC*0015MBALZ	5.61	—	—	—	—	X	7.60	7.60	7.60	7.60	7.60	X
LC*0015MCALZ	5.61	—	—	—	—	X	7.60	7.60	7.60	7.60	7.60	X
LC*0015MDALZ	5.61	—	—	—	—	X	7.60	7.60	7.60	7.60	7.60	X
LC*0020MBALZ	5.61	—	—	—	5.61	X	7.60	7.60	7.60	7.60	7.60	X
LC*0020MCALZ	5.61	—	—	—	5.61	X	7.60	7.60	7.60	7.60	7.60	X
LC*0020MDALZ	5.61	—	—	—	5.61	X	7.60	7.60	7.60	7.60	7.60	X
LC*0025MBALZ	5.61	—	—	—	—	X	7.60	7.60	7.60	7.60	7.60	X
LC*0025MCALZ	5.61	—	—	—	—	X	7.60	7.60	7.60	7.60	7.60	X
LC*0025MDALZ	5.61	—	—	—	—	X	7.60	7.60	7.60	7.60	7.60	X
LC*0030MBALZ	5.61	5.61	5.61	5.61	5.61	X	7.60	7.60	7.60	7.60	7.60	X
LC*0030MCALZ	5.61	5.61	5.61	5.61	5.61	X	7.60	7.60	7.60	7.60	7.60	X
LC*0030MDALZ	5.61	5.61	5.61	5.61	5.61	X	7.60	7.60	7.60	7.60	7.60	X
LC*0035MBALZ	5.61	5.61	5.61	5.61	5.61	X	7.60	7.60	7.60	7.60	7.60	X
LC*0035MCALZ	5.61	5.61	5.61	5.61	5.61	X	7.60	7.60	7.60	7.60	7.60	X
LC*0035MDALZ	5.61	5.61	5.61	5.61	5.61	X	7.60	7.60	7.60	7.60	7.60	X
LC*0045MBALZ	5.61	5.61	5.61	5.61	5.61	X	7.60	7.60	7.60	7.60	7.60	X
LC*0045MCALZ	5.61	5.61	5.61	5.61	5.61	X	7.60	7.60	7.60	7.60	7.60	X
LC*0045MDALZ	5.61	5.61	5.61	5.61	5.61	X	7.60	7.60	7.60	7.60	7.60	X
LC*0050MBALZ	5.61	—	—	—	5.61	X	7.60	7.60	7.60	7.60	7.60	X
LC*0050MCALZ	5.61	—	—	—	5.61	X	7.60	7.60	7.60	7.60	7.60	X
LC*0050MDALZ	5.61	—	—	—	5.61	X	7.60	7.60	7.60	7.60	7.60	X
LC*0055MBALZ	5.61	—	—	—	5.61	X	7.60	—	—	7.60	7.60	X
LC*0055MCALZ	5.61	—	—	—	5.61	X	7.60	7.60	7.60	7.60	7.60	X
LC*0055MDALZ	5.61	—	—	—	5.61	X	7.60	7.60	7.60	7.60	7.60	X
LC*0060MCALZ	5.61	—	—	—	5.61	X	7.60	7.60	7.60	7.60	7.60	X
LC*0060MDALZ	5.61	—	—	—	5.61	X	7.60	7.60	7.60	7.60	7.60	X

Notes:

*H = Outdoor, N = Indoor

X = model not suitable for this refrigerant

— = model is not DOE AWEF compliant

AWEF DATA – LOW TEMPERATURE

Copeland Scroll Models - Indoor/Outdoor

If model has a numerical value in the table below, the following statement applies:

“This refrigeration system is designed and certified for use in walk-in freezer applications.”

Model	Indoor						Outdoor					
	R-404A/ R-507A	R-448A	R-449A	R-407A	R-407C	R-407F	R-404A/ R-507A	R-448A	R-449A	R-407A	R-407C	R-407F
LC*0006LBACZ	2.04	—	—	—	—	2.01	2.88	2.87	2.87	2.87	—	2.87
LC*0006LCACZ	2.04	—	—	—	—	2.01	2.88	2.87	2.87	2.87	—	2.87
LC*0008LBBCZ	—	—	—	—	—	—	—	—	—	—	—	—
LC*0008LCBCZ	—	—	—	—	—	2.07	2.93	2.92	2.92	—	—	—
LC*0008LDBCZ	—	—	—	—	—	2.07	2.93	2.92	2.92	—	—	—
LC*0010LBBCZ	2.16	—	—	—	—	—	2.97	2.95	2.92	—	—	—
LC*0010LCBCZ	—	—	—	—	—	—	2.97	2.95	2.95	—	—	—
LC*0010LDBCZ	—	—	—	—	—	—	2.97	2.95	2.95	—	—	—
LC*0018LBBCZ	—	—	—	—	—	—	3.05	—	—	—	—	3.02
LC*0018LCBCZ	—	—	—	—	—	—	3.04	—	3.01	—	2.98	3.02
LC*0018LDBCZ	—	—	—	—	—	—	3.04	—	3.01	—	2.98	3.02
LC*0022LBBCZ	—	—	—	—	—	—	3.09	3.07	3.07	—	—	—
LC*0022LCBCZ	—	—	—	—	—	—	3.09	3.07	3.07	—	—	—
LC*0022LDBCZ	—	—	—	—	—	—	3.09	3.07	3.07	—	—	—
LC*0025LBACZ	—	—	—	X	X	X	3.15	3.14	3.13	X	X	X
LC*0025LCACZ	—	—	—	—	X	—	3.15	3.12	3.12	3.13	X	3.14
LC*0025LDACZ	—	—	—	—	X	—	3.15	3.12	3.12	3.13	X	3.14
LC*0030LBACZ	2.40	—	—	—	—	X	3.15	3.15	3.15	3.14	3.10	X
LC*0030LCBCZ	2.40	—	—	—	—	—	3.15	3.15	3.15	3.15	3.13	3.15
LC*0030LDBCZ	2.40	—	—	—	—	—	3.15	3.15	3.15	3.15	3.13	3.15
LC*0030LEBCZ	2.40	—	—	—	—	—	3.15	3.15	3.15	3.15	3.13	3.15
LC*0035LBACZ	—	—	—	—	—	X	3.15	3.15	3.15	—	3.15	X
LC*0035LCBCZ	2.40	—	—	—	—	—	3.15	3.15	3.15	3.15	3.15	3.15
LC*0035LDBCZ	2.40	—	—	—	—	—	3.15	3.15	3.15	3.15	3.15	3.15
LC*0035LEBCZ	2.40	—	—	—	—	—	3.15	3.15	3.15	3.15	3.15	3.15
LC*0045LBBCZ	2.40	—	—	—	2.40	X	3.15	3.15	3.15	3.15	—	X
LC*0045LCBCZ	2.40	—	—	—	—	2.40	3.15	3.15	3.15	3.15	—	3.15
LC*0045LDBCZ	2.40	—	—	—	—	2.40	3.15	3.15	3.15	3.15	—	3.15
LC*0045LEBCZ	2.40	—	—	—	—	2.40	3.15	3.15	3.15	3.15	—	3.15
LC*0055LBBCZ	2.40	—	—	—	—	X	3.15	3.15	3.15	3.15	3.15	X
LC*0055LCBCZ	2.40	—	—	—	—	—	3.15	3.15	3.15	3.15	3.15	3.15
LC*0055LDBCZ	2.40	—	—	—	—	—	3.15	3.15	3.15	3.15	3.15	3.15
LC*0055LEBCZ	2.40	—	—	—	—	—	3.15	3.15	3.15	3.15	3.15	3.15
LC*0060LCACZ	2.40	—	—	—	—	—	3.15	3.15	3.15	3.15	3.15	3.15
LC*0060LDACZ	2.40	—	—	—	—	—	3.15	3.15	3.15	3.15	3.15	3.15
LC*0060LEACZ	2.40	—	—	—	—	—	3.15	3.15	3.15	3.15	3.15	3.15

Notes:

*H = Outdoor, N = Indoor models only available as model Rev A

X = model not suitable for this refrigerant

— = model is not DOE AWEF compliant

PERFORMANCE DATA – R-404A/R-507A

Medium Temperature Models - Hermetic Compressors

Please consult AWEF table on page 37 to confirm DOE compliance per model

R-404A/R-507A		Capacity BTUH @ 90°F Ambient by SST							
Model	Compressor	+40°F	+35°F	+30°F	+25°F	+20°F	+15°F	+10°F	+0°F
LC*0015M^ACH	CS10K6E	22,420	20,290	17,340	15,690	14,090	12,510	11,000	8,200
LC*0020M^ACH	CS12K6E	24,730	22,550	19,860	17,980	16,170	14,440	12,750	9,680
LC*0025M^ACH	CS14K6E	28,250	25,860	21,940	20,080	18,240	16,430	14,660	11,310
LC*0030M^ACH	CS18K6E	—	—	30,800	28,030	25,280	22,560	19,930	14,980
LC*0032M^ACH	CS20K6E	43,580	39,640	35,610	31,610	27,970	24,650	21,700	16,650

R-404A/R-507A		Capacity BTUH @ 95°F Ambient by SST							
Model	Compressor	+40°F	+35°F	+30°F	+25°F	+20°F	+15°F	+10°F	+0°F
LC*0015M^ACH	CS10K6E	21,190	19,160	16,290	14,730	13,170	11,690	10,260	7,590
LC*0020M^ACH	CS12K6E	23,440	21,320	18,720	16,930	15,200	13,520	11,920	8,990
LC*0025M^ACH	CS14K6E	26,710	24,420	20,680	18,920	17,170	15,450	13,790	10,600
LC*0030M^ACH	CS18K6E	—	—	29,010	26,370	23,710	21,140	18,630	13,930
LC*0032M^ACH	CS20K6E	41,360	37,580	33,440	29,630	26,110	23,000	20,190	15,400

R-404A/R-507A		Capacity BTUH @ 100°F Ambient by SST							
Model	Compressor	+40°F	+35°F	+30°F	+25°F	+20°F	+15°F	+10°F	+0°F
LC*0015M^ACH	CS10K6E	19,960	18,030	15,210	13,740	12,290	10,880	9,520	6,990
LC*0020M^ACH	CS12K6E	22,120	20,100	17,600	15,890	14,200	12,620	11,100	8,300
LC*0025M^ACH	CS14K6E	25,330	23,040	19,410	17,760	16,110	14,500	12,890	9,890
LC*0030M^ACH	CS18K6E	—	—	27,220	24,660	22,170	19,720	17,340	12,880
LC*0032M^ACH	CS20K6E	39,130	35,520	31,300	27,620	24,330	21,380	18,710	14,170

R-404A/R-507A		Capacity BTUH @ 110°F Ambient by SST							
Model	Compressor	+40°F	+35°F	+30°F	+25°F	+20°F	+15°F	+10°F	+0°F
LC*0015M^ACH	CS10K6E	17,540	15,760	13,150	11,830	10,530	9,270	8,040	5,770
LC*0020M^ACH	CS12K6E	19,500	17,680	15,320	13,780	12,280	10,840	9,470	6,960
LC*0025M^ACH	CS14K6E	22,370	20,390	16,850	15,400	13,950	12,530	11,130	8,470
LC*0030M^ACH	CS18K6E	—	—	23,600	21,350	19,120	16,940	14,810	10,870
LC*0032M^ACH	CS20K6E	34,660	31,380	27,100	23,850	20,890	18,240	15,840	11,770

Notes:

* H = Outdoor, N = Indoor

^ B = 208-230/1/60, C = 208-230/3/60, D = 460/3/60

These models are no longer available for ordering, information provided for reference only

PERFORMANCE DATA – R-448A/R-449A

Medium Temperature Models - Hermetic Compressors

Please consult AWEF table on page 37 to confirm DOE compliance per model

R-448A/R-449A		Capacity BTUH @ 90°F Ambient by SST							
Model	Compressor	+40°F	+35°F	+30°F	+25°F	+20°F	+15°F	+10°F	+0°F
LC*0015M^ACH	CS10K6E	—	—	15,900	14,040	12,300	10,670	9,140	6,480
LC*0020M^ACH	CS12K6E	—	—	17,470	15,360	13,460	11,680	10,030	7,230
LC*0025M^ACH	CS14K6E	—	—	19,860	17,650	15,450	13,460	11,570	8,350
LC*0030M^ACH	CS18K6E	—	—	27,040	23,940	21,080	18,450	16,010	11,610
LC*0032M^ACH	CS20K6E	—	—	30,330	27,140	24,110	21,280	18,620	13,660

R-448A/R-449A		Capacity BTUH @ 95°F Ambient by SST							
Model	Compressor	+40°F	+35°F	+30°F	+25°F	+20°F	+15°F	+10°F	+0°F
LC*0015M^ACH	CS10K6E	—	—	14,990	13,220	11,540	9,960	8,510	5,950
LC*0020M^ACH	CS12K6E	—	—	16,490	14,550	12,700	10,990	9,420	6,770
LC*0025M^ACH	CS14K6E	—	—	18,820	16,640	14,600	12,660	10,860	7,860
LC*0030M^ACH	CS18K6E	—	—	25,560	22,590	19,350	17,330	15,000	10,790
LC*0032M^ACH	CS20K6E	—	—	28,810	25,760	22,840	20,110	17,530	12,720

R-448A/R-449A		Capacity BTUH @ 100°F Ambient by SST							
Model	Compressor	+40°F	+35°F	+30°F	+25°F	+20°F	+15°F	+10°F	+0°F
LC*0015M^ACH	CS10K6E	—	—	14,100	12,400	10,800	9,280	7,890	5,430
LC*0020M^ACH	CS12K6E	—	—	15,550	13,700	11,930	10,300	8,800	6,340
LC*0025M^ACH	CS14K6E	—	—	17,780	15,680	13,730	11,880	10,170	7,400
LC*0030M^ACH	CS18K6E	—	—	24,120	21,280	18,650	16,250	14,000	9,990
LC*0032M^ACH	CS20K6E	—	—	27,360	24,370	21,570	18,940	16,440	11,770

R-448A/R-449A		Capacity BTUH @ 110°F Ambient by SST							
Model	Compressor	+40°F	+35°F	+30°F	+25°F	+20°F	+15°F	+10°F	+0°F
LC*0015M^ACH	CS10K6E	—	—	12,340	10,770	9,300	7,940	6,670	4,430
LC*0020M^ACH	CS12K6E	—	—	13,730	12,010	10,390	8,930	7,620	5,510
LC*0025M^ACH	CS14K6E	—	—	15,720	13,840	12,040	10,370	8,870	6,610
LC*0030M^ACH	CS18K6E	—	—	21,420	18,820	16,430	14,250	12,200	8,560
LC*0032M^ACH	CS20K6E	—	—	24,390	21,640	19,040	16,610	14,250	9,870

Notes:

* H = Outdoor, N = Indoor

^ B = 208-230/1/60, C = 208-230/3/60, D = 460/3/60

These models are no longer available for ordering, information provided for reference only

PERFORMANCE DATA – R-407A

Medium Temperature Models - Hermetic Compressors

Please consult AWEF table on page 37 to confirm DOE compliance per model

R-407A		Capacity BTUH @ 90°F Ambient by SST							
Model	Compressor	+40°F	+35°F	+30°F	+25°F	+20°F	+15°F	+10°F	+0°F
LC*0015M^ACH	CS10K6E	—	—	15,940	14,130	12,440	10,860	9,370	6,750
LC*0020M^ACH	CS12K6E	—	—	17,630	15,680	13,810	12,060	10,420	7,510
LC*0025M^ACH	CS14K6E	—	—	19,910	17,740	15,640	13,680	11,830	8,570
LC*0030M^ACH	CS18K6E	—	—	28,190	24,630	21,410	18,530	15,900	11,430
LC*0032M^ACH	CS20K6E	—	—	31,100	27,570	24,300	21,340	18,610	13,690

R-407A		Capacity BTUH @ 95°F Ambient by SST							
Model	Compressor	+40°F	+35°F	+30°F	+25°F	+20°F	+15°F	+10°F	+0°F
LC*0015M^ACH	CS10K6E	—	—	15,010	13,280	11,660	10,160	8,730	6,220
LC*0020M^ACH	CS12K6E	—	—	16,570	14,730	12,950	11,280	9,700	6,950
LC*0025M^ACH	CS14K6E	—	—	18,790	16,680	14,720	12,840	11,080	7,990
LC*0030M^ACH	CS18K6E	—	—	26,640	23,210	20,110	17,340	14,820	10,600
LC*0032M^ACH	CS20K6E	—	—	29,450	26,090	22,970	20,120	17,490	12,710

R-407A		Capacity BTUH @ 100°F Ambient by SST							
Model	Compressor	+40°F	+35°F	+30°F	+25°F	+20°F	+15°F	+10°F	+0°F
LC*0015M^ACH	CS10K6E	—	—	14,080	12,430	10,890	9,430	8,090	5,710
LC*0020M^ACH	CS12K6E	—	—	15,580	13,790	12,100	10,490	9,020	6,410
LC*0025M^ACH	CS14K6E	—	—	17,700	15,650	13,810	12,020	10,340	7,430
LC*0030M^ACH	CS18K6E	—	—	25,080	21,780	18,810	16,140	13,780	9,820
LC*0032M^ACH	CS20K6E	—	—	27,890	24,620	21,630	18,900	16,370	11,730

R-407A		Capacity BTUH @ 110°F Ambient by SST							
Model	Compressor	+40°F	+35°F	+30°F	+25°F	+20°F	+15°F	+10°F	+0°F
LC*0015M^ACH	CS10K6E	—	—	12,280	10,780	9,360	8,060	6,840	4,680
LC*0020M^ACH	CS12K6E	—	—	13,550	11,950	10,410	9,000	7,700	5,400
LC*0025M^ACH	CS14K6E	—	—	15,460	13,720	12,010	10,410	8,900	6,380
LC*0030M^ACH	CS18K6E	—	—	21,990	18,980	16,250	13,890	11,800	8,440
LC*0032M^ACH	CS20K6E	—	—	24,670	21,700	18,970	16,430	14,090	9,770

Notes:

* H = Outdoor, N = Indoor

^ B = 208-230/1/60, C = 208-230/3/60, D = 460/3/60

These models are no longer available for ordering, information provided for reference only

PERFORMANCE DATA – R-404A/R-507A

Low Temperature Models - Hermetic Compressors

Please consult AWEF table on page 37 to confirm DOE compliance per model

R-404A/R-507A		Capacity BTUH @ 90°F Ambient by SST						
Model	Compressor	0°F	-5°F	-10°F	-15°F	-20°F	-25°F	-30°F
LC*0011L^ACH	CF04K6E	7,700	6,660	5,690	4,830	4,040	3,320	2,670
LC*0014L^ACH	CF06K6E	11,020	9,790	8,580	7,390	6,290	5,280	4,360
LC*0019L^ACH	CF06K6E	12,510	10,980	9,500	8,130	6,860	5,720	4,690
LC*0025L^ACH	CF09K6E	17,180	15,230	13,390	11,620	9,980	8,440	7,010
LC*0031L^ACH	CF12K6E	20,580	18,450	16,400	14,440	12,580	10,770	9,040

R-404A/R-507A		Capacity BTUH @ 95°F Ambient by SST						
Model	Compressor	0°F	-5°F	-10°F	-15°F	-20°F	-25°F	-30°F
LC*0011L^ACH	CF04K6E	7,170	6,190	5,290	4,470	3,730	3,060	2,450
LC*0014L^ACH	CF06K6E	10,340	9,150	8,000	6,860	5,820	4,850	3,990
LC*0019L^ACH	CF06K6E	11,740	10,260	8,870	7,560	6,340	5,250	4,270
LC*0025L^ACH	CF09K6E	16,150	14,280	12,520	10,830	9,260	7,800	6,440
LC*0031L^ACH	CF12K6E	19,330	17,320	15,370	13,510	11,700	9,990	8,330

R-404A/R-507A		Capacity BTUH @ 100°F Ambient by SST						
Model	Compressor	0°F	-5°F	-10°F	-15°F	-20°F	-25°F	-30°F
LC*0011L^ACH	CF04K6E	6,640	5,710	4,880	4,110	3,420	2,800	2,220
LC*0014L^ACH	CF06K6E	9,640	8,510	7,400	6,350	5,350	4,440	3,620
LC*0019L^ACH	CF06K6E	10,950	9,560	8,230	6,990	5,840	4,800	3,870
LC*0025L^ACH	CF09K6E	15,130	13,350	11,640	10,050	8,560	7,170	5,890
LC*0031L^ACH	CF12K6E	18,160	16,200	14,350	12,580	10,850	9,220	7,620

R-404A/R-507A		Capacity BTUH @ 110°F Ambient by SST						
Model	Compressor	0°F	-5°F	-10°F	-15°F	-20°F	-25°F	-30°F
LC*0011L^ACH	CF04K6E	5,540	4,750	4,030	3,370	2,780	2,250	1,780
LC*0014L^ACH	CF06K6E	8,230	7,230	6,260	5,330	4,460	3,660	2,930
LC*0019L^ACH	CF06K6E	9,410	8,160	6,990	5,890	4,860	3,940	3,130
LC*0025L^ACH	CF09K6E	13,130	11,490	9,970	8,540	7,200	5,960	4,820
LC*0031L^ACH	CF12K6E	15,760	14,020	12,330	10,740	9,210	7,720	6,280

Notes:

* H = Outdoor, N = Indoor

^ B = 208-230/1/60, C = 208-230/3/60, D = 460/3/60

These models are no longer available for ordering, information provided for reference only

UNIT SPECIFICATIONS

Medium & Low Temperature Models - Hermetic Compressors

Please consult AWEF table on page 37 to confirm DOE compliance per model

Model	Compressor	Refrigerant Line Connections (OD)		Rec. Capacity @90% full (lbs)		Cabinet ^h	Dimensions (In.)			Net Wt.	Sound Data
		Liquid	Suction	Std	Opt		Depth	Width	Height	(lbs.)	dBa ^a
LC*0015M^ACH	CS10K6E	1/2	7/8	14	20	C2	28.25	39.125	19.75	213	64
LC*0020M^ACH	CS12K6E	1/2	7/8	14	20	C2	28.25	39.125	19.75	223	64
LC*0025M^ACH	CS14K6E	1/2	7/8	14	20	C2	28.25	39.125	19.75	228	64
LC*0030M^ACH	CS18K6E	1/2	7/8	20	40	C3	30.25	43.875	29.25	300	64
LC*0032M^ACH	CS20K6E	1/2	7/8	20	40	C3	30.25	43.875	29.25	305	64
LC*0011L^ACH	CF04K6E	3/8	5/8	9	—	C1	28.25	24.625	19.75	154	62
LC*0014L^ACH	CF06K6E	3/8	5/8	9	—	C1	28.25	24.625	19.75	185	62
LC*0019L^ACH	CF06K6E	1/2	7/8	14	20	C2	28.25	39.125	19.75	220	64
LC*0025L^ACH	CF09K6E	1/2	7/8	14	20	C2	28.25	39.125	19.75	242	64
LC*0031L^ACH	CF12K6E	1/2	7/8	14	20	C2	28.25	39.125	19.75	235	64

Notes:

* H = Outdoor, N = Indoor

^ B = 208-230/1/60, C = 208-230/3/60, D = 460/3/60

a. Estimated sound pressure values are 10 feet from the unit. For estimating sound pressure from the unit at different distances, deduct the following from the unit values: 20 feet, deduct 6 dBA; for 40 feet, deduct 12 dBA; for 80 feet, deduct 18 dBA. This data is typical of "free field" conditions for horizontal air cooled condensing units at the outlet of the discharge air. The actual sound measurements may vary depending on the condensing unit installation. Factors such as reflecting walls, background noise and mounting conditions may have a significant influence on this data.

h. See Page 39 for dimensional drawings

These models are no longer available for ordering, information provided for reference only

ELECTRICAL DATA

Medium & Low Temperature Models - Hermetic Compressors

Please consult AWEF table on page 37 to confirm DOE compliance per model

Model	Compressor	Power ^d	Compressor		Condenser		Air Defrost or Remote Controller		Remote Loads			
			RLA ^c	LRA	No. Fans	FLA	MCA	MOPD	Evap. Fan Amps	Defrost Htrs. Amps	Electric Defrost	
											MCA	MOPD
LC*0015MBACH	CS10K6E-PFV	208-230/1/60	11.1	56.0	2	1	15.0	25.0	10	30	37.5	40
LC*0015MCACH	CS10K6E-TF5	208-230/3/60	7.2	51.0	2	1	15.0	15.0	9	23	28.8	30
LC*0020MBACH	CS12K6E-PFV	208-230/1/60	9.8	56.0	2	1	15.0	20.0	10	30	37.5	40
LC*0020MCACH	CS12K6E-TF5	208-230/3/60	6.7	51.0	2	1	15.0	15.0	9	23	28.8	30
LC*0025MBACH	CS14K6E-PFV	208-230/1/60	12.4	61.0	2	1	20.0	25.0	10	30	37.5	40
LC*0025MCACH	CS14K6E-TF5	208-230/3/60	8.5	55.0	2	1	15.0	20.0	9	23	28.8	30
LC*0030MBACH	CS18K6E-PFV	208-230/1/60	14.4	82.0	1	3.5	21.4	35.0	10	30	37.5	45
LC*0030MCACH	CS18K6E-TF5	208-230/3/60	9.4	65.5	1	3.5	20.0	20.0	10	30	37.5	40
LC*0030MDACH	CS18K6E-TFD	460/3/60	4.2	33.0	1	1.9	15.0	15.0	9	23	28.8	30
LC*0032MBACH	CS20K6E-PFV	208-230/1/60	17.9	96.0	1	3.5	25.9	40.0	10	30	37.5	50
LC*0032MCACH	CS20K6E-TF5	208-230/3/60	13.3	75.0	1	3.5	20.2	30.0	10	30	37.5	40
LC*0032MDACH	CS20K6E-TFD	460/3/60	4.6	40.0	1	1.9	15.0	15.0	9	23	28.8	30
LC*0011LBACH	CF04K6E-PFV	208-230/1/60	8.6	59.2	1	0.5	15.0	15.0	5	15	20	20
LC*0011LCACH	CF04K6E-TF5	208-230/3/60	5.7	52.0	1	0.5	15.0	15.0	5	15	20	20
LC*0014LBACH	CF06K6E-PFV	208-230/1/60	10.3	59.2	1	0.5	15.0	20.0	5	15	20	25
LC*0014LCACH	CF06K6E-TF5	208-230/3/60	6.3	52.0	1	0.5	15.0	15.0	5	15	20	20
LC*0019LBACH	CF06K6E-PFV	208-230/1/60	10.3	59.2	2	1	15.0	20.0	10	30	37.5	40
LC*0019LCACH	CF06K6E-TF5	208-230/3/60	6.3	52.0	2	1	15.0	15.0	9	23	28.8	30
LC*0025LBACH	CF09K6E-PFV	208-230/1/60	15.0	87.0	2	1	20.0	30.0	10	30	37.5	40
LC*0025LCACH	CF09K6E-TF5	208-230/3/60	9.2	72.2	2	1	15.0	20.0	9	23	28.8	30
LC*0031LBACH	CF12K6E-PFV	208-230/1/60	18.4	105.0	2	1	24.0	40.0	10	30	37.5	50
LC*0031LCACH	CF12K6E-TF5	208-230/3/60	11.0	85.0	2	1	15.0	25.0	9	23	28.8	30
LC*0031LDACH	CF12K6E-TFD	460/3/60	5.9	42.0	2	1	15.0	15.0	b	b	15	15

Notes:

* H = Outdoor, N = Indoor

b. Power supplied by customer

c. Per UL and NEC, RLA values have been calculated by dividing the Maximum Continuous Current (MCC) by 1.56.

d. Unless otherwise noted, model is available for 50 Hz. Consult factory for details.

These models are no longer available for ordering, information provided for reference only

AWEF DATA – MEDIUM TEMPERATURE

Hermetic Compressor Models - Indoor/Outdoor

If model has a numerical value in the table below, the following statement applies:

“This refrigeration system is designed and certified for use in walk-in cooler applications.”

Model	Indoor						Outdoor					
	R-404A/ R-507A	R-448A	R-449A	R-407A	R-407C	R-407F	R-404A/ R-507A	R-448A	R-449A	R-407A	R-407C	R-407F
LC*0015MBACH	—	—	—	—	X	X	7.60	7.60	7.60	7.60	X	X
LC*0015MCACH	—	—	—	—	X	X	7.60	7.60	7.60	7.60	X	X
LC*0020MBACH	—	X	X	X	X	X	7.60	X	X	X	X	X
LC*0020MCACH	—	—	—	—	X	X	7.60	7.60	7.60	7.60	X	X
LC*0025MBACH	—	—	—	—	X	X	7.60	7.60	7.60	7.60	X	X
LC*0025MCACH	—	—	—	—	X	X	7.60	7.60	7.60	7.60	X	X
LC*0030MBACH	5.61	—	—	—	X	X	7.60	7.60	7.60	7.60	X	X
LC*0030MCACH	5.61	5.61	5.61	—	X	X	7.60	7.60	7.60	7.60	X	X
LC*0030MDACH	5.61	5.61	5.61	5.61	X	X	7.60	7.60	7.60	7.60	X	X
LC*0032MBACH	5.61	—	—	—	X	X	7.60	7.60	7.60	7.60	X	X
LC*0032MCACH	5.61	5.61	5.61	—	X	X	7.60	7.60	7.60	7.60	X	X
LC*0032MDACH	5.61	5.61	5.61	—	X	X	7.60	7.60	7.60	7.60	X	X

AWEF DATA – LOW TEMPERATURE

Hermetic Compressor Models - Indoor/Outdoor

If model has a numerical value in the table below, the following statement applies:

“This refrigeration system is designed and certified for use in walk-in freezer applications.”

Model	Indoor						Outdoor					
	R-404A/ R-507A	R-448A	R-449A	R-407A	R-407C	R-407F	R-404A/ R-507A	R-448A	R-449A	R-407A	R-407C	R-407F
LC*0011LBACH	2.06	X	X	X	X	X	2.89	X	X	X	X	X
LC*0011LCACH	2.05	X	X	X	X	X	2.88	X	X	X	X	X
LC*0014LBACH	—	X	X	X	X	X	2.99	X	X	X	X	X
LC*0014LCACH	2.19	X	X	X	X	X	2.98	X	X	X	X	X
LC*0019LBACH	—	X	X	X	X	X	3.02	X	X	X	X	X
LC*0019LCACH	—	X	X	X	X	X	3.01	X	X	X	X	X
LC*0025LBACH	—	X	X	X	X	X	—	X	X	X	X	X
LC*0025LCACH	—	X	X	X	X	X	3.13	X	X	X	X	X
LC*0031LBACH	—	X	X	X	X	X	—	X	X	X	X	X
LC*0031LCACH	—	X	X	X	X	X	3.15	X	X	X	X	X
LC*0031LDACH	—	X	X	X	X	X	3.15	X	X	X	X	X

These models are no longer available for ordering, information provided for reference only



www.interlinkparts.com
800.686.7278

Right source. Right parts. Right now.

InterLink™ is your link to a complete line of dependable and certified commercial refrigeration parts, accessories and innovative electronic controls for all Larkin equipment. At InterLink, we provide our wholesalers with a comprehensive selection of product solutions and innovative technologies for the installed customer base. And every product is built to ensure the same high performance standards with which all Heatcraft Refrigeration Products brands are built — backed by a dedicated team to serve every customer need, delivering at the best lead times in the industry.

Dependable. Versatile. Courteous.

Finally, one simple source for all your replacement needs from a name you can trust.

REPLACEMENT PARTS

Replacement Parts					
Item	Cabinet				
	C1	C2	C3		
PSC Motor	N/A	25309101S, 230/1	25309001S, 230/1	25309002S, 460/1	25309003, 575/1
PSC Motor Capacitor	N/A	N/A	5779G	5599M	5599M
FSEC Motor	25322405, 230/1	25322405, 230/1	25319102S, 230/1	25319102S, 230/1 ^f	25319102S, 230/1 ^k
VSEC Motor	25319201S, 230/1	25319201S, 230/1	25319102S, 230/1	25319102S, 230/1 ^f	25319102S, 230/1 ^k
Fan Blade	22901601, 14"	22901601, 14"	7173156, 22"		
Orbus Controller	28962001	28962001	28962001		
Orbus Transducer, 0-500 psis	28911204	28911204	28911204		
Orbus Transducer Harness	22515101	22515101	22515101		
Smart Defrost Kit (SDK)	28999301	28999301	28999301		
SDK Temperature Sensor	28900311	28900311	28900311		
SDK Transducer, 0-300 psia	28911202	28911202	28911202		
SDK Transducer Harness	22515102	22515102	22515102		
Microchannel Coil, Uncoated	59517503	59517603	59517703		
Microchannel Coil, Coated	59517504	59517604	59517704		
Grille	24104001	24104101	24104201		

Notes:

f = 460/230V transformer is used in unit
k = 575/230V transformer is used in unit

REPLACEMENT PARTS

LG Scroll Compressors

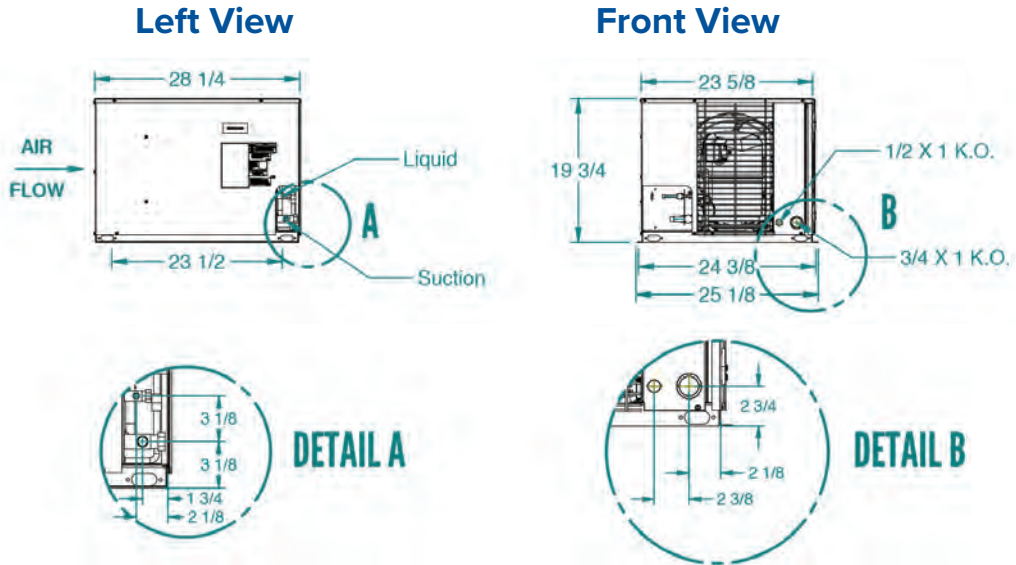
Unit Model Number	Compressor Model	Service Part Number
LC*0010MBALZ	MPA010KAA.A58LEXS	21518201S
LC*0010MCALZ	MPA010RAA.A58LEXS	21518202S
LC*0010MDALZ	MPA010SAA.A58LEXS	21518203S
LC*0015MBALZ	MPA013KAA.A58LEXS	21518204S
LC*0015MCALZ	MPA013RAA.A58LEXS	21518205S
LC*0015MDALZ	MPA013SAA.A58LEXS	21518206S
LC*0020MBALZ	MPA015KAA.A58LEXS	21518207S
LC*0020MCALZ	MPA015RAA.A58LEXS	21518208S
LC*0020MDALZ	MPA015SAA.A58LEXS	21518209S
LC*0025MBALZ	MPA019KAA.A58LEXS	21518210S
LC*0025MCALZ	MPA019RAA.A58LEXS	21518211S
LC*0025MDALZ	MPA019SAA.A58LEXS	21518212S
LC*0030MBALZ	MBA021KAA.A58LEXS	21518213S
LC*0030MCALZ	MBA021RAA.A58LEXS	21518214S
LC*0030MDALZ	MBA021SAA.A58LEXS	21518215S

Unit Model Number	Compressor Model	Service Part Number
LC*0035MBALZ	MBA026KAA.A58LEXS	21518216S
LC*0035MCALZ	MBA026RAA.A58LEXS	21518217S
LC*0035MDALZ	MBA026SAA.A58LEXS	21518218S
LC*0045MBALZ	MBA029KAA.A58LEXS	21518219S
LC*0045MCALZ	MBA029RAA.A58LEXS	21518220S
LC*0045MDALZ	MBA029SAA.A58LEXS	21518221S
LC*0050MBALZ	MBA033KAA.A58LEXS	21518222S
LC*0050MCALZ	MBA033RAA.A58LEXS	21518223S
LC*0050MDALZ	MBA033SAA.A58LEXS	21518224S
LC*0055MBALZ	MRA038KAA.A58LEXS	21518225S
LC*0055MCALZ	MRA038RAA.A58LEXS	21518226S
LC*0055MDALZ	MRA038SAA.A58LEXS	21518227S
LC*0060MCALZ	MRA045RAA.A58LEXS	21518228S
LC*0060MDALZ	MRA045SAA.A58LEXS	21518229S

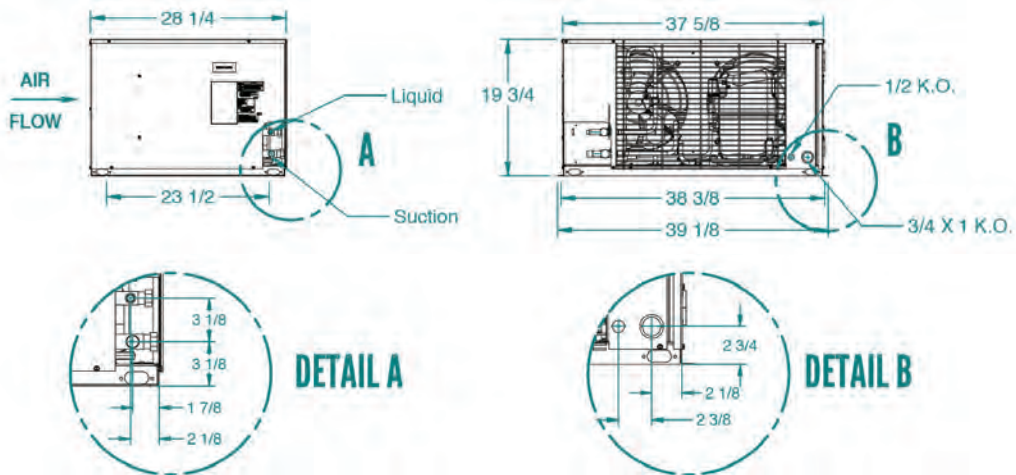
DIMENSIONAL DRAWINGS

Outdoor

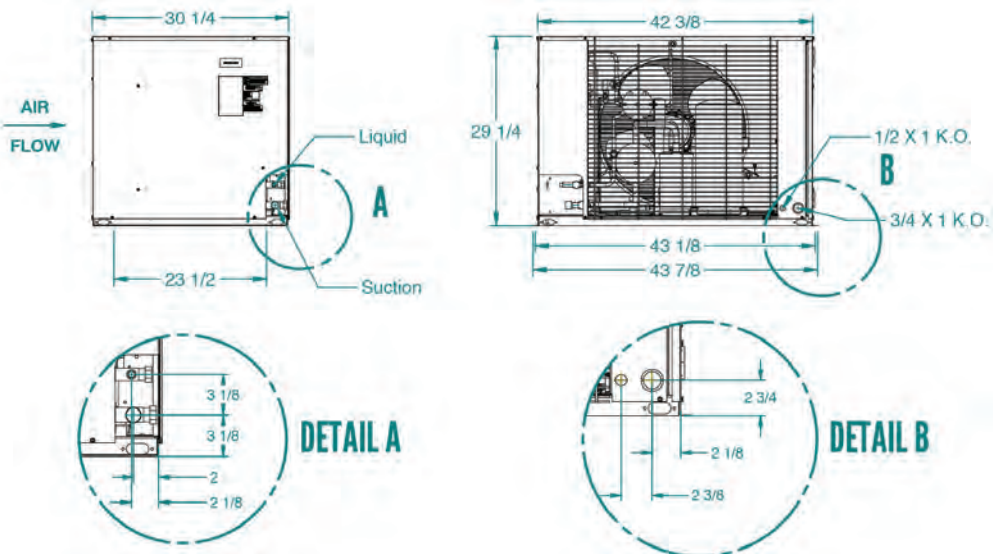
C1



C2



C3





2175 West Park Place Blvd.

Stone Mountain, GA 30087

Phone: 800.537.7775 · Fax: 770.465.5900

heatcraftrpd.com

Since product improvement is a continuing effort, we reserve the right to make changes in specifications without notice.

LK-HTS-0823 | Version 008

©2023 Heatcraft Refrigeration Products LLC