

# 24-100 HP DUAL VERTICAL AIR-COOLED CONDENSING UNIT

---

Technical Guide  
Now including DOE compliant models



# TABLE OF CONTENTS



<b>3</b>	<b>Features &amp; Benefits</b>
<b>4</b>	<b>Nomenclature</b>
<b>4</b>	<b>Preferred Option Packages</b>
<b>5</b>	<b>Standard Features / Electrical &amp; Mechanical Options</b>
<b>6</b>	<b>Single &amp; Dual Compressors</b>
<b>7</b>	<b>Adjustable Head Pressure Control</b>
<b>8</b>	<b>Dual Copeland Compressor Models</b>
	<ul style="list-style-type: none"> <li><b>8</b> Performance Data           <ul style="list-style-type: none"> <li><b>8</b> Medium Temperature (R-404A/R-507A)</li> <li><b>9</b> Medium Temperature (R-448A/R-449A)</li> <li><b>10</b> Medium Temperature (R-407A/R-407F)</li> <li><b>11</b> Medium Temperature (R-407C)</li> </ul> </li> </ul>
<b>12</b>	<b>Dual Copeland Compressor Models</b>
	<ul style="list-style-type: none"> <li><b>12</b> Performance Data           <ul style="list-style-type: none"> <li><b>12</b> Low Temperature (R-404A/R-507A)</li> <li><b>13</b> Low Temperature (R-448A/R-449A)</li> <li><b>14</b> Low Temperature (R-407A/R-407F)</li> <li><b>15</b> Low Temperature (R-407C)</li> </ul> </li> <li><b>16</b> Unit Specifications</li> <li><b>17</b> Electrical Data           <ul style="list-style-type: none"> <li><b>17</b> Medium Temperature Dual Compressor Copeland/208-230V</li> <li><b>17</b> Medium Temperature Dual Compressor Copeland/460V</li> <li><b>18</b> Medium Temperature Dual Compressor Copeland/575V</li> <li><b>19</b> Low Temperature Dual Compressor Copeland/208-230V</li> <li><b>19</b> Low Temperature Dual Compressor Copeland/460V</li> <li><b>20</b> AWEF Medium Temperature Data</li> </ul> </li> </ul>
<b>21</b>	<b>Dual Bitzer Compressor Models</b>
	<ul style="list-style-type: none"> <li><b>21</b> Performance Data           <ul style="list-style-type: none"> <li><b>21</b> Medium Temperature Dual Bitzer Compressor (R-404A/R-507A)</li> <li><b>23</b> Medium Temperature Dual Bitzer Compressor (R-448A/R-449A)</li> <li><b>25</b> Medium Temperature Dual Bitzer Compressor (R-407A/R-407F)</li> <li><b>27</b> Medium Temperature Dual Bitzer Compressor (R-407C)</li> <li><b>29</b> Low Temperature Dual Bitzer Compressor (R-404A/R-507A)</li> <li><b>30</b> Low Temperature Dual Bitzer Compressor (R-448A/R-449A)</li> <li><b>31</b> Low Temperature Dual Bitzer Compressor (R-407A/R-407F)</li> <li><b>32</b> Low Temperature Dual Bitzer Compressor (R-407C)</li> </ul> </li> <li><b>33</b> Unit Specifications</li> <li><b>34</b> Electrical Data           <ul style="list-style-type: none"> <li><b>34</b> Medium Temperature Dual Bitzer Compressor/208-230V</li> <li><b>34</b> Medium Temperature Dual Bitzer Compressor/460V</li> <li><b>35</b> Low Temperature Dual Bitzer Compressor/208-230V</li> <li><b>35</b> Low Temperature Dual Bitzer Compressor/460V</li> <li><b>36</b> AWEF Medium Temperature Data</li> <li><b>36</b> AWEF Low Temperature Data</li> </ul> </li> </ul>
<b>37</b>	<b>Dimensional Diagrams</b>

# FEATURES & BENEFITS

## QUALITY

- All joints are sweat type connections, no mechanical joints to leak
- Fixed high and adjustable low pressure switch
- Piping is laid out to minimize stress and vibration and is pre-bent to eliminate braze joints where possible to reduce leak potential
- Pressure relief valve on receiver
- Refrigeration duty, rifled copper condenser tubing
- Separate subcooling circuit in condenser for added capacity and vapor free liquid
- Servicemate diagnostic module standard on all non-Beacon condensing units
- Sight glass is easily viewable

## SERVICEABILITY

- Convenient access panels to easily service internal components
- Large electrical panel to facilitate ease of access
- Manual pumpdown switch on all units
- Lighted e-box with battery back-up
- Hinged venturi fan panels for easy access
- E-box door props

## COMPONENTS

- Dual compressor models available in standard or parallel piped configurations

- Receivers are sized for sufficient pumpdown capacity with inlet and outlet service valves
- Sight glass and permanent liquid line filter
- Spring-mounted compressors with suction and discharge eliminators
- High efficiency motors
- High pressure switch-auto reset
- Adjustable head pressure control
- Aluminum fin coil
- Sealed liquid line filter drier (lqd. Std.)
- Liquid line sight glass (lqd. Std.)

## CABINET AND CONSTRUCTION

- All units feature the floating tube coil which eliminates tube sheet leaks
- Painted steel cabinet for superior strength and corrosion resistance
- Clevis hook-up brackets to aid unit installation

## ADDITIONAL STANDARD FEATURES FOR PARALLEL PIPED UNITS

- Replacable Core Liquid Line Filter-Drier
- Replacable Core suction filter
- Suction Accumulator
- Oil Management System

## OUTSTANDING FEATURES

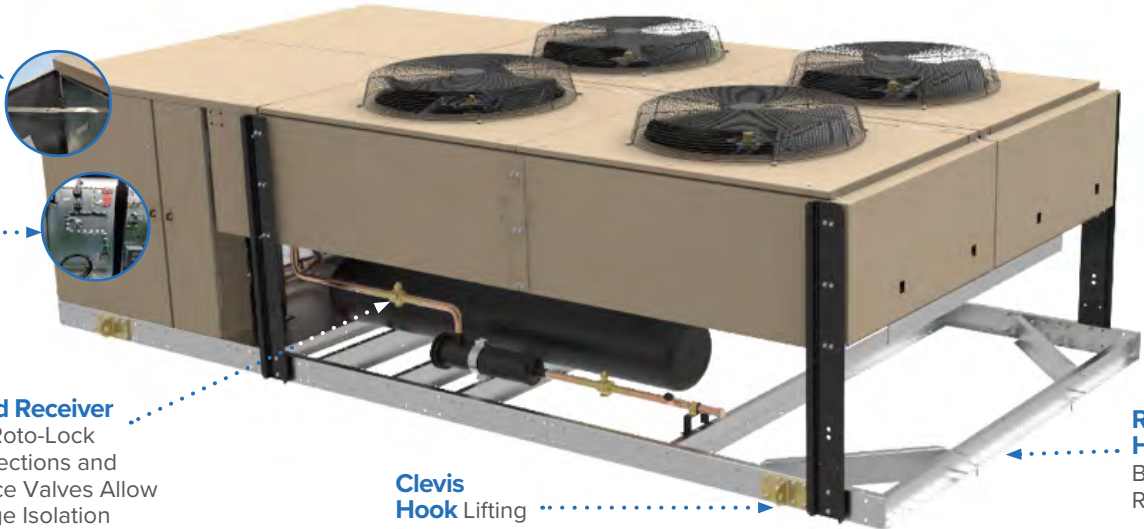
E-Box Door Props

Larger Lighted E-Box

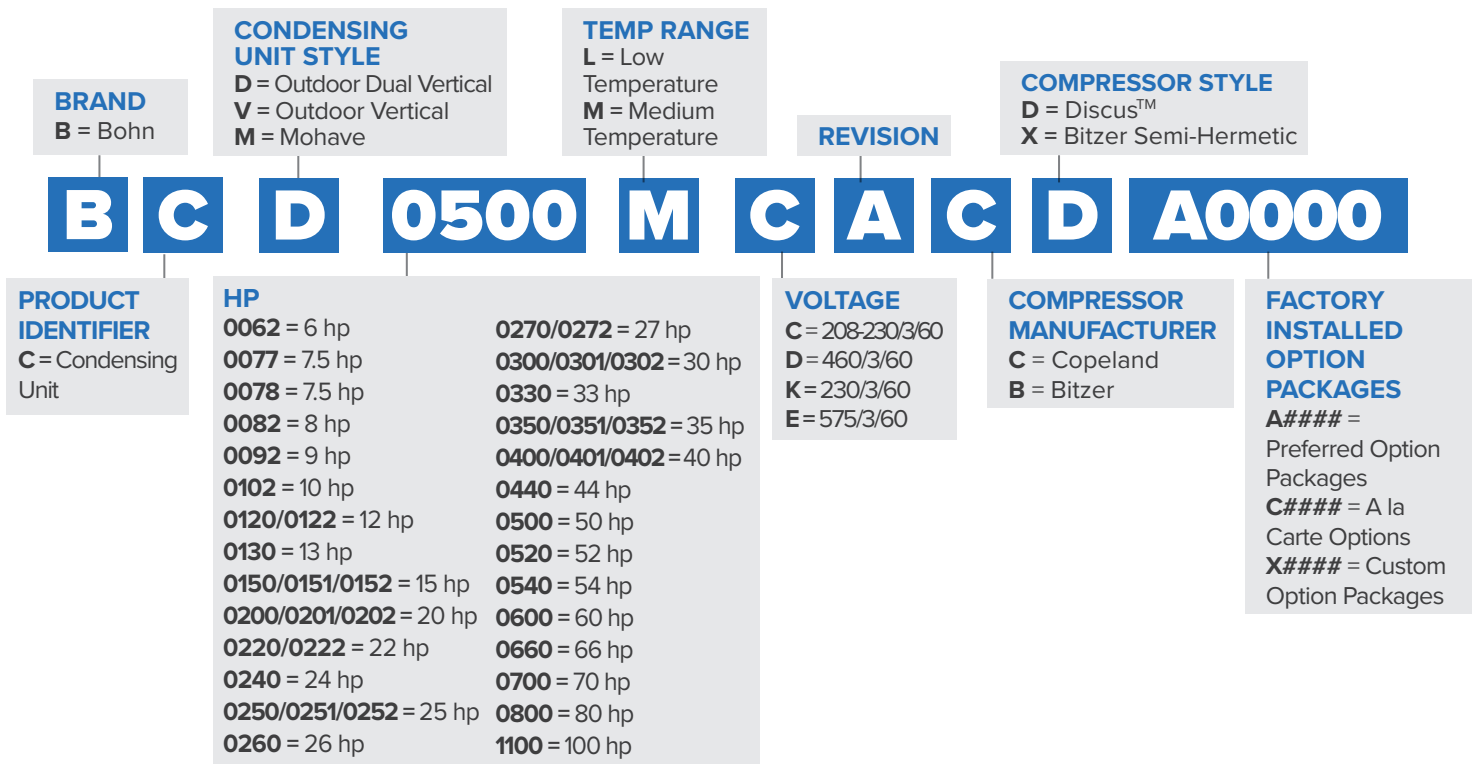
Liquid Receiver with Roto-Lock Connections and Service Valves Allow Charge Isolation

Clevis Hook Lifting Brackets

Reduced-Height Base Frame Rails



# NOMENCLATURE



## FACTORY INSTALLED: PREFERRED OPTION PACKAGES

Please see Price Book or The HUB for availability

Option Code	Description (All Preferred Options include Standard Base +)
A0100	Defrost Timer – Air
A0400	Beacon II™ / intelliGen™
A1002	Lqd. Std. Replaceable core filter-dryer + Replaceable Core Suction line filter + Accumulator
A1003	Replaceable Core Suction-line filter + Accumulator
A1004	Pr. Controlled fan cycling + Replaceable Core filter + Accumulator
A1300	Oil Separator
A1400	Phase Loss Motor
A1500	Parallel Piping (Suction Accumulator + Rep. Core Suction filter + Rep. Core Liquid filter + Oil Separator)

## STANDARD FEATURES

Aluminum Fin Coil  
 Adjustable Head Pressure Control  
 Sealed Liquid Line Filter Drier (Liquid Standard)  
 Liquid Line Sight Glass (Liquid Standard)  
 High Pressure Switch-Auto reset  
 Low Pressure Switch

## ELECTRICAL OPTIONS

Option	Outdoor
Air or Electric Defrost Timer	Option
intelliGen/Beacon II	Option
Fan Cycling-Temperature	Option
Fan Cycling-Pressure	Option
Fused Disconnect-Air	Option
Non-Fused Disconnect-Air	Option
Compressor Circuit Breaker	Option
Phase Loss Monitor	Option
Anti-short Cycling Timer	Option
Manual Reset High Pressure Switch	Option
Variable Speed EC w/ Title 24 Motor Kit	Option

## MECHANICAL OPTIONS

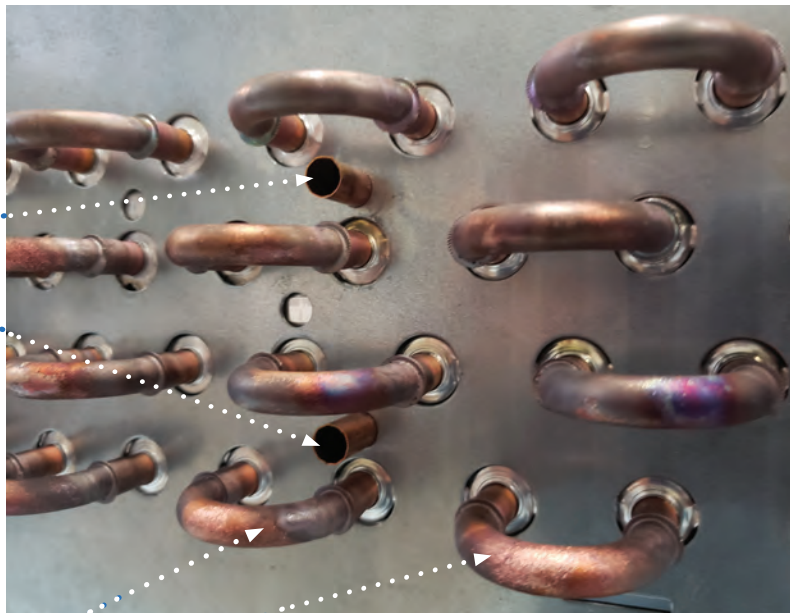
Option	Outdoor
Parallel Piping	Option
Replacable Core Liquid Line Filter Drier and Sight Glass	Option
Liquid Line Filter Drier, Sight Glass, and Solenoid Valve	Option
Suction Line Filter	Option
Replacable Core Suction Line Filter	Option
Suction Accumulator	Option
Oil Seperator with Discharge Line Check Valve	Option
Discharge Muffler	Option
3-Way Heat Reclaim Valve and Check Valve	Option
Compressor Unloading with Pressure Control for 1 Cyl. Bank	Option
Demand Cooling/CIC	Option
Standard Receiver with Low Ambient Kit (heated/insulated receiver & low pressure bypass time delay relay)	Option

## SINGLE & DUAL COMPRESSORS

Units featuring Floating Tube Coil Design

### Expanded (Locked) Auxiliary Tubes

These tubes support the coil with fins and refrigerant carrying tubes. They do not carry refrigerant and are tightly fitted on end supports and center supports



### Free Floating Circuited Coil Tubes

These tubes carry refrigerant and never touch the sheet metal end supports or center supports.

All units include a limited **Five Year Warranty** against condenser leaks at tube sheets and center supports.

All condensers use the Floating Tube™ coil design to eliminate refrigerant leaks at the tube sheets. Additional tubes are added to the condenser coil. These tubes are expanded into the aluminum fins and condenser tube sheets. These anchor tubes support the weight of the coil, but are not a part of the refrigerant circuit.

The tubes in the refrigerant circuit are expanded into the fins, but “float” through oversized holes in the tube sheets. Tube sheet leaks are virtually eliminated, since the tubes which carry refrigerant never come in contact with the tube sheet.

# ADJUSTABLE HEAD PRESSURE CONTROL

## Resource II

Bohn's most energy efficient low ambient head pressure control. This system provides year round control of refrigerant head pressure without the use of special refrigerant expansion valves.

Resource II combines the benefits of refrigerant subcooling and reduced discharged pressure during mild ambient conditions. As the ambient temperature falls the receiver pressure is allowed to fall to a minimum of 75° F. saturated condensing pressure. The reduced discharge pressure at the compressor increases the compressor capacity and lowers the input watts from the compressor motor. Resource II also uses the reduced ambient temperature to subcool the liquid refrigerant in the condenser. This subcooled liquid also increases system capacity. As a general rule, every one degree of subcooling results in a 1/2% increase in system capacity. Together these result in greater efficiency, greater capacity, and reduced run time.

## Benefits

- Automatic year round control of refrigerant head pressure without the use of special expansion valves.
- Energy savings in mild ambient conditions due to reduced compressor discharge pressure and refrigerant subcooling.
- Provides easy restart during low ambient conditions.

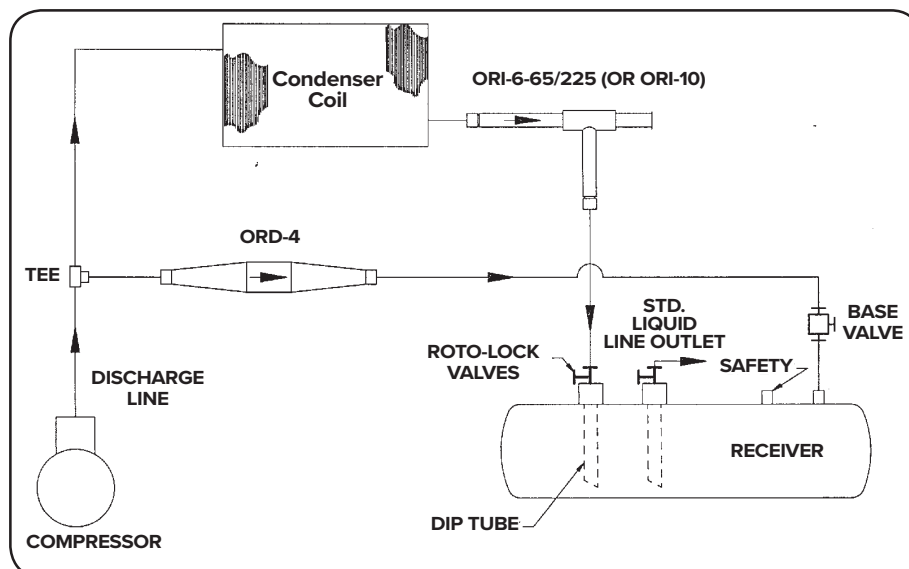
## Operation

As the ambient temperature falls, the system condensing pressure is also reduced. This pressure is maintained by a regulator (ORI-6-65/225) at the condenser drain. At approximately 75°F. saturated condensing pressure the regulator restricts the flow of liquid refrigerant from the condenser causing the condenser to flood. This condenser flooding allows the liquid refrigerant in the condenser to become subcooled by the ambient air flowing through the condenser. As the regulator continues to flood the condenser a pressure differential will be established between the receiver and the compressor discharge. At a predescribed differential, a second valve (ORD-4) will open and allow discharge gas from the compressor to bypass the condenser and flow into the top of the receiver. This gas is used to pressurize the receiver.

Both the inlet and outlet tubes of the receiver have dip tubes which are immersed in liquid refrigerant. The liquid in the receiver acts as an insulator from the vapor area of the receiver. This unique design minimizes the contact of the hot gas used to pressurize the receiver through the ORD-4 valve. This allows bypass vapor to pressurize the receiver while reheat of the subcooled liquid is minimized.

Subcooled liquid is further enhanced by the routing of liquid from the receiver liquid line outlet to the condenser before leaving the condensing unit.

## Resource II Piping Schematic





# PERFORMANCE DATA – R-404A/R-507A

## Medium Temperature - Dual Copeland Compressor Models

Please consult AWEF table on page 20 to confirm DOE compliance per model

R-404A/R-507A		Capacity BTUH @ 90°F Ambient by SST								
Model	Compressor	40°F	35°F	30°F	25°F	20°F	15°F	10°F	0°F	-10°F
BCD0300M <sup>Λ</sup> ACD	3DS3R17ME	413,580	380,840	349,500	319,220	290,380	263,440	237,980	192,220	152,000
BCD0400M <sup>Λ</sup> ACD	4DBNR20ME	486,440	452,560	418,100	383,400	349,780	317,580	286,860	230,900	186,840
BCD0500M <sup>Λ</sup> ACD	4DHNR22ME	515,080	480,020	444,460	408,540	373,440	338,760	306,100	247,020	200,320
BCD0520M <sup>Λ</sup> ACD	4DHNR22ME	522,300	485,660	448,680	411,220	375,400	340,680	307,800	247,680	200,800
BCD0600M <sup>Λ</sup> ACD	4DJNR28ME	647,360	597,500	549,180	501,640	457,100	414,640	374,420	300,300	236,620
BCD0700M <sup>Λ</sup> ACD	6DHNR35ME	804,020	743,220	684,080	625,980	571,400	520,040	471,460	381,300	-
BCD0800M <sup>*</sup> ACD	6DJNR40ME	934,000	866,080	799,340	733,380	671,140	611,520	555,060	450,640	-

R-404A/R-507A		Capacity BTUH @ 95°F Ambient by SST								
Model	Compressor	40°F	35°F	30°F	25°F	20°F	15°F	10°F	0°F	-10°F
BCD0300M <sup>Λ</sup> ACD	3DS3R17ME	395,060	363,620	333,580	305,360	278,020	252,540	228,180	184,440	145,800
BCD0400M <sup>Λ</sup> ACD	4DBNR20ME	463,400	431,220	398,700	366,380	333,820	303,040	273,660	220,180	178,160
BCD0500M <sup>Λ</sup> ACD	4DHNR22ME	490,420	456,120	423,340	389,600	355,300	323,160	292,360	235,920	191,060
BCD0520M <sup>Λ</sup> ACD	4DHNR22ME	498,120	463,380	428,220	392,540	358,340	325,240	293,660	236,220	191,520
BCD0600M <sup>Λ</sup> ACD	4DJNR28ME	615,440	568,680	522,760	477,860	435,540	395,740	356,900	286,680	226,320
BCD0700M <sup>Λ</sup> ACD	6DHNR35ME	764,560	707,460	651,520	596,200	545,180	496,300	450,000	363,680	-
BCD0800M <sup>*</sup> ACD	6DJNR40ME	889,300	825,360	762,360	699,880	640,900	584,320	530,420	430,560	-

R-404A/R-507A		Capacity BTUH @ 100°F Ambient by SST								
New Model	Compressor	40°F	35°F	30°F	25°F	20°F	15°F	10°F	0°F	-10°F
BCD0300M <sup>Λ</sup> ACD	3DS3R17ME	375,040	346,760	318,080	291,440	265,480	241,300	218,380	176,700	139,660
BCD0400M <sup>Λ</sup> ACD	4DBNR20ME	440,200	410,060	379,380	347,860	317,900	289,020	260,580	209,560	169,520
BCD0500M <sup>Λ</sup> ACD	4DHNR22ME	464,360	434,400	402,580	370,740	338,220	307,640	278,320	224,340	182,000
BCD0520M <sup>Λ</sup> ACD	4DHNR22ME	473,920	441,140	407,840	373,980	341,460	309,860	279,680	224,880	182,360
BCD0600M <sup>Λ</sup> ACD	4DJNR28ME	583,620	539,440	496,400	453,900	414,080	376,320	339,900	273,440	216,180
BCD0700M <sup>Λ</sup> ACD	6DHNR35ME	724,760	670,960	618,620	566,640	518,400	472,960	428,240	346,060	-
BCD0800M <sup>*</sup> ACD	6DJNR40ME	844,100	784,060	724,840	665,900	610,180	557,400	505,480	410,540	-

R-404A/R-507A		Capacity BTUH @ 110°F Ambient by SST								
Model	Compressor	40°F	35°F	30°F	25°F	20°F	15°F	10°F	0°F	-10°F
BCD0300M <sup>Λ</sup> ACD	3DS3R17ME	337,140	311,160	287,240	263,420	240,960	219,200	198,740	161,320	127,520
BCD0400M <sup>Λ</sup> ACD	4DBNR20ME	-	-	-	312,960	286,200	260,260	234,620	188,580	152,380
BCD0500M <sup>Λ</sup> ACD	4DHNR22ME	-	-	-	332,540	304,100	276,820	250,420	201,800	163,700
BCD0520M <sup>Λ</sup> ACD	4DHNR22ME	-	-	367,120	336,960	307,820	279,720	252,240	202,800	164,140
BCD0600M <sup>Λ</sup> ACD	4DJNR28ME	-	480,960	442,120	405,980	371,440	337,660	304,880	246,740	196,340
BCD0700M <sup>Λ</sup> ACD	6DHNR35ME	-	-	549,640	506,200	463,780	423,560	384,020	310,920	-
BCD0800M <sup>*</sup> ACD	6DJNR40ME	-	-	647,520	595,800	546,980	500,320	454,500	370,160	-

**Notes:**

<sup>Λ</sup> C = 208-230/3/60, D = 460/3/60

<sup>\*</sup> K = 230/3/60

A0400 Option code at the end of the model # is IntelliGen™/ Beacon II™

A1500 Option code at the end of the model # is Parallel Piped

For 50 cycle capacity, multiply values by .86



# PERFORMANCE DATA – R-448A/R-449A

## Medium Temperature - Dual Copeland Compressor Models

Please consult AWEF table on page 20 to confirm DOE compliance per model

R-448A/R-449A		Capacity BTUH @ 90°F Ambient by SST								
Model	Compressor	40°F	35°F	30°F	25°F	20°F	15°F	10°F	0°F	-10°F
BCD0300M <sup>Λ</sup> ACD	3DS3R17ME	409,060	373,960	340,120	307,360	276,120	246,920	219,360	170,040	128,360
BCD0400M <sup>Λ</sup> ACD	4DBNR20ME	502,280	458,420	416,420	376,660	339,580	304,660	272,060	213,740	163,540
BCD0500M <sup>Λ</sup> ACD	4DHNR22ME	541,360	495,320	450,960	408,720	368,840	331,820	296,680	233,500	178,760
BCD0520M <sup>Λ</sup> ACD	4DHNR22ME	545,120	497,900	452,700	409,880	369,600	332,340	297,060	233,860	179,160
BCD0600M <sup>Λ</sup> ACD	4DJNR28ME	649,460	596,640	544,840	494,840	447,120	400,980	356,740	275,160	202,280
BCD0700M <sup>Λ</sup> ACD	6DHNR35ME	795,820	734,100	672,360	611,420	552,500	495,660	441,540	344,280	265,220
BCD0800M <sup>*</sup> ACD	6DJNR40ME	947,980	873,820	799,840	727,060	656,500	588,500	523,940	408,540	315,880

R-448A/R-449A		Capacity BTUH @ 95°F Ambient by SST								
Model	Compressor	40°F	35°F	30°F	25°F	20°F	15°F	10°F	0°F	-10°F
BCD0300M <sup>Λ</sup> ACD	3DS3R17ME	394,440	360,880	328,460	296,980	266,880	238,580	211,740	163,500	122,140
BCD0400M <sup>Λ</sup> ACD	4DBNR20ME	483,640	441,560	401,220	362,960	327,260	293,540	261,880	205,700	157,080
BCD0500M <sup>Λ</sup> ACD	4DHNR22ME	521,800	476,660	434,140	393,580	355,180	319,580	285,680	224,780	171,700
BCD0520M <sup>Λ</sup> ACD	4DHNR22ME	525,020	479,680	436,200	394,960	356,180	320,200	286,120	224,980	172,060
BCD0600M <sup>Λ</sup> ACD	4DJNR28ME	624,640	573,860	524,220	476,100	430,220	385,700	342,980	264,340	193,740
BCD0700M <sup>Λ</sup> ACD	6DHNR35ME	770,240	711,120	651,700	593,520	536,140	480,960	428,100	333,140	255,120
BCD0800M <sup>*</sup> ACD	6DJNR40ME	917,160	846,320	775,300	705,100	636,940	571,060	508,080	395,620	304,420

R-448A/R-449A		Capacity BTUH @ 100°F Ambient by SST								
Model	Compressor	40°F	35°F	30°F	25°F	20°F	15°F	10°F	0°F	-10°F
BCD0300M <sup>Λ</sup> ACD	3DS3R17ME	379,840	348,220	316,820	286,580	257,520	230,120	204,100	156,820	115,800
BCD0400M <sup>Λ</sup> ACD	4DBNR20ME	464,840	424,600	385,880	349,160	314,520	282,020	251,680	197,460	150,420
BCD0500M <sup>Λ</sup> ACD	4DHNR22ME	501,060	457,920	417,200	378,320	341,380	306,800	274,300	215,480	164,320
BCD0520M <sup>Λ</sup> ACD	4DHNR22ME	505,700	461,280	419,520	379,920	342,560	307,920	275,020	215,940	164,720
BCD0600M <sup>Λ</sup> ACD	4DJNR28ME	599,200	550,480	502,900	456,780	412,720	369,820	328,940	253,000	184,880
BCD0700M <sup>Λ</sup> ACD	6DHNR35ME	744,140	687,700	630,920	574,940	519,500	466,000	414,600	321,660	244,720
BCD0800M <sup>*</sup> ACD	6DJNR40ME	886,160	818,380	750,320	682,820	617,140	553,360	492,240	382,420	292,640

R-448A/R-449A		Capacity BTUH @ 110°F Ambient by SST								
Model	Compressor	40°F	35°F	30°F	25°F	20°F	15°F	10°F	0°F	-10°F
BCD0300M <sup>Λ</sup> ACD	3DS3R17ME	-	322,260	293,520	265,760	238,960	213,280	188,700	143,300	102,860
BCD0400M <sup>Λ</sup> ACD	4DBNR20ME	-	-	-	320,860	289,320	259,340	231,240	180,520	136,600
BCD0500M <sup>Λ</sup> ACD	4DHNR22ME	-	-	-	-	313,180	281,660	251,460	196,780	149,040
BCD0520M <sup>Λ</sup> ACD	4DHNR22ME	-	-	-	349,420	314,960	282,900	252,260	197,540	149,560
BCD0600M <sup>Λ</sup> ACD	4DJNR28ME	-	-	458,820	416,640	376,220	336,440	298,980	229,300	166,520
BCD0700M <sup>Λ</sup> ACD	6DHNR35ME	-	-	-	536,220	485,120	435,020	386,560	297,720	222,860
BCD0800M <sup>*</sup> ACD	6DJNR40ME	-	-	-	-	576,460	516,900	459,480	354,960	268,000

**Notes:**

LOW SUCTION TEMPERATURE APPLICATIONS IN THESE RANGES REQUIRE THE ADDITION OF A HEAD FAN

<sup>Λ</sup> C = 208-230/3/60, D = 460/3/60

\* K = 230/3/60

A0400 Option code at the end of the model # is IntelliGen™/ Beacon II™

A1500 Option code at the end of the model # is Parallel Piped

For 50 cycle capacity, multiply values by .86

# PERFORMANCE DATA – R-407A/R-407F

## Medium Temperature - Dual Copeland Compressor Models

Please consult AWEF table on page 20 to confirm DOE compliance per model

R-407A/R-407F		Capacity BTUH @ 90°F Ambient by SST								
Model	Compressor	40°F	35°F	30°F	25°F	20°F	15°F	10°F	0°F	-10°F
BCD0300M <sup>Λ</sup> ACD	3DS3R17ME	417,300	381,500	346,800	312,960	280,800	250,660	222,200	172,240	131,720
BCD0400M <sup>Λ</sup> ACD	4DBNR20ME	506,500	462,660	420,760	381,120	343,820	309,440	276,980	218,840	168,260
BCD0500M <sup>Λ</sup> ACD	4DHNR22ME	545,160	497,860	453,880	412,020	372,440	335,580	301,240	238,660	183,780
BCD0520M <sup>Λ</sup> ACD	4DHNR22ME	551,820	503,480	457,260	414,360	374,220	337,200	302,040	239,020	184,100
BCD0600M <sup>Λ</sup> ACD	4DJNR28ME	658,620	603,400	550,940	500,540	452,320	406,820	362,800	282,740	211,800
BCD0700M <sup>Λ</sup> ACD	6DHNR35ME	806,020	743,360	681,000	619,820	560,320	503,880	449,860	352,700	273,020
BCD0800M <sup>Λ</sup> ACD	6DJNR40ME	959,800	884,000	809,500	736,340	665,920	597,940	533,440	418,180	324,920

R-407A/R-407F		Capacity BTUH @ 95°F Ambient by SST								
Model	Compressor	40°F	35°F	30°F	25°F	20°F	15°F	10°F	0°F	-10°F
BCD0300M <sup>Λ</sup> ACD	3DS3R17ME	401,000	366,700	333,700	301,260	270,160	241,180	213,740	165,160	125,260
BCD0400M <sup>Λ</sup> ACD	4DBNR20ME	486,300	444,380	404,200	366,040	330,320	297,240	265,940	209,980	161,220
BCD0500M <sup>Λ</sup> ACD	4DHNR22ME	523,160	477,820	435,720	395,600	357,580	322,160	289,160	228,960	175,840
BCD0520M <sup>Λ</sup> ACD	4DHNR22ME	530,160	483,740	439,320	398,140	359,540	323,920	290,060	229,320	176,360
BCD0600M <sup>Λ</sup> ACD	4DJNR28ME	631,300	578,340	528,340	480,120	434,560	390,460	348,440	271,880	204,380
BCD0700M <sup>Λ</sup> ACD	6DHNR35ME	777,640	717,760	657,960	599,040	542,340	487,420	435,020	340,240	261,920
BCD0800M <sup>Λ</sup> ACD	6DJNR40ME	926,840	853,160	781,860	711,700	643,960	578,380	515,940	403,760	312,200

R-407A/R-407F		Capacity BTUH @ 100°F Ambient by SST								
Model	Compressor	40°F	35°F	30°F	25°F	20°F	15°F	10°F	0°F	-10°F
BCD0300M <sup>Λ</sup> ACD	3DS3R17ME	384,780	352,180	320,660	289,640	259,800	231,840	205,320	158,060	118,780
BCD0400M <sup>Λ</sup> ACD	4DBNR20ME	467,080	426,020	387,560	350,980	316,700	284,960	254,580	200,940	153,980
BCD0500M <sup>Λ</sup> ACD	4DHNR22ME	-	458,680	417,440	379,060	342,660	308,660	276,940	218,860	168,000
BCD0520M <sup>Λ</sup> ACD	4DHNR22ME	507,980	463,020	421,360	381,860	344,760	310,520	277,940	219,440	168,460
BCD0600M <sup>Λ</sup> ACD	4DJNR28ME	603,500	552,960	505,320	459,360	415,920	373,820	333,700	261,040	197,140
BCD0700M <sup>Λ</sup> ACD	6DHNR35ME	748,940	691,840	634,480	578,320	523,780	470,740	419,720	327,600	250,520
BCD0800M <sup>Λ</sup> ACD	6DJNR40ME	890,160	822,320	754,100	686,920	621,840	558,600	497,840	389,100	299,220

R-407A/R-407F		Capacity BTUH @ 110°F Ambient by SST								
Model	Compressor	40°F	35°F	30°F	25°F	20°F	15°F	10°F	0°F	-10°F
BCD0300M <sup>Λ</sup> ACD	3DS3R17ME	-	323,440	294,840	266,600	239,340	213,340	188,620	143,920	105,880
BCD0400M <sup>Λ</sup> ACD	4DBNR20ME	-	-	-	320,700	289,740	260,140	232,540	182,560	139,100
BCD0500M <sup>Λ</sup> ACD	4DHNR22ME	-	-	-	-	312,540	281,380	252,220	198,620	151,580
BCD0520M <sup>Λ</sup> ACD	4DHNR22ME	-	-	-	349,000	314,960	283,460	253,240	199,560	152,140
BCD0600M <sup>Λ</sup> ACD	4DJNR28ME	-	-	-	417,160	378,060	340,100	304,280	239,520	183,080
BCD0700M <sup>Λ</sup> ACD	6DHNR35ME	-	-	-	536,080	485,880	436,540	388,860	301,480	226,820
BCD0800M <sup>Λ</sup> ACD	6DJNR40ME	-	-	-	636,620	576,880	518,320	461,840	358,940	272,460

**Notes:**

LOW SUCTION TEMPERATURE APPLICATIONS IN THESE RANGES REQUIRE THE ADDITION OF A HEAD FAN

Λ C = 208-230/3/60, D = 460/3/60

\* K = 230/3/60

A0400 Option code at the end of the model # is IntelliGen™/ Beacon II™

A1500 Option code at the end of the model # is Parallel Piped

For 50 cycle capacity, multiply values by .86

# PERFORMANCE DATA – R-407C

## Medium Temperature - Dual Copeland Compressor Models

Please consult AWEF table on page 20 to confirm DOE compliance per model

R-407C		Capacity BTUH @ 90°F Ambient by SST								
Model	Compressor	40°F	35°F	30°F	25°F	20°F	15°F	10°F	0°F	-10°F
BCD0300M <sup>Λ</sup> ACD	3DS3R17ME	370,260	337,500	306,080	275,980	247,660	221,120	196,540	152,460	115,320
BCD0400M <sup>Λ</sup> ACD	4DBNR20ME	451,140	409,780	370,020	333,060	298,020	264,620	231,900	167,740	101,900
BCD0500M <sup>Λ</sup> ACD	4DHNR22ME	-	-	408,660	369,040	331,860	296,780	263,980	205,140	156,880
BCD0520M <sup>Λ</sup> ACD	4DHNR22ME	-	-	412,080	371,840	333,300	297,680	264,400	205,520	157,320
BCD0600M <sup>Λ</sup> ACD	4DJNR28ME	-	-	490,320	442,720	398,120	356,660	317,680	247,680	184,740
BCD0700M <sup>Λ</sup> ACD	6DHNR35ME	727,040	656,600	592,320	533,740	480,380	431,000	385,280	299,600	213,380
BCD0800M <sup>Λ</sup> ACD	6DJNR40ME	902,180	800,820	715,060	636,340	570,620	513,840	462,800	368,060	260,460

R-407C		Capacity BTUH @ 95°F Ambient by SST								
Model	Compressor	40°F	35°F	30°F	25°F	20°F	15°F	10°F	0°F	-10°F
BCD0300M <sup>Λ</sup> ACD	3DS3R17ME	358,280	326,740	296,520	267,420	240,080	214,140	190,040	146,480	109,060
BCD0400M <sup>Λ</sup> ACD	4DBNR20ME	433,500	393,560	355,420	319,820	286,040	253,960	222,440	161,400	98,700
BCD0500M <sup>Λ</sup> ACD	4DHNR22ME	-	-	391,540	354,160	319,040	285,660	254,200	197,280	149,360
BCD0520M <sup>Λ</sup> ACD	4DHNR22ME	-	-	394,760	356,260	320,360	286,480	254,540	197,680	149,840
BCD0600M <sup>Λ</sup> ACD	4DJNR28ME	-	-	470,580	425,940	383,820	344,600	307,440	239,680	177,040
BCD0700M <sup>Λ</sup> ACD	6DHNR35ME	698,860	631,620	570,720	514,800	463,720	415,900	371,640	287,960	201,860
BCD0800M <sup>Λ</sup> ACD	6DJNR40ME	849,280	753,500	673,360	599,920	539,360	486,620	440,680	356,140	257,680

R-407C		Capacity BTUH @ 100°F Ambient by SST								
Model	Compressor	40°F	35°F	30°F	25°F	20°F	15°F	10°F	0°F	-10°F
BCD0300M <sup>Λ</sup> ACD	3DS3R17ME	346,420	316,120	286,980	258,660	232,020	206,980	183,260	139,980	102,260
BCD0400M <sup>Λ</sup> ACD	4DBNR20ME	416,140	377,720	341,040	306,880	274,500	243,680	213,680	155,520	96,040
BCD0500M <sup>Λ</sup> ACD	4DHNR22ME	-	-	375,080	339,940	306,700	275,100	244,760	189,640	141,940
BCD0520M <sup>Λ</sup> ACD	4DHNR22ME	-	-	378,060	341,880	307,920	275,920	245,260	190,000	142,420
BCD0600M <sup>Λ</sup> ACD	4DJNR28ME	-	-	451,700	409,780	370,500	332,960	297,660	232,000	169,580
BCD0700M <sup>Λ</sup> ACD	6DHNR35ME	670,280	606,560	548,680	495,360	446,480	400,580	357,580	275,600	189,760
BCD0800M <sup>Λ</sup> ACD	6DJNR40ME	795,280	704,920	630,760	562,900	508,660	460,220	419,500	346,100	258,860

R-407C		Capacity BTUH @ 110°F Ambient by SST								
Model	Compressor	40°F	35°F	30°F	25°F	20°F	15°F	10°F	0°F	-10°F
BCD0300M <sup>Λ</sup> ACD	3DS3R17ME	322,980	294,680	267,500	241,160	215,620	191,620	168,580	-	87,020
BCD0400M <sup>Λ</sup> ACD	4DBNR20ME	-	-	313,180	282,020	252,760	224,720	197,500	145,300	92,440
BCD0500M <sup>Λ</sup> ACD	4DHNR22ME	-	-	-	313,480	283,860	255,380	227,400	175,440	-
BCD0520M <sup>Λ</sup> ACD	4DHNR22ME	-	-	347,040	315,180	284,840	255,840	227,680	175,520	128,320
BCD0600M <sup>Λ</sup> ACD	4DJNR28ME	-	-	416,240	379,660	344,980	311,700	279,500	217,660	155,680
BCD0700M <sup>Λ</sup> ACD	6DHNR35ME	-	-	503,400	455,680	410,380	368,320	327,860	248,840	164,180
BCD0800M <sup>Λ</sup> ACD	6DJNR40ME	-	606,780	543,740	488,040	443,860	408,360	379,740	332,840	273,880

**Notes:**

LOW SUCTION TEMPERATURE APPLICATIONS IN THESE RANGES REQUIRE THE ADDITION OF A HEAD FAN

<sup>Λ</sup> C = 208-230/3/60, D = 460/3/60

<sup>\*</sup> K = 230/3/60

A0400 Option code at the end of the model # is IntelliGen™/ Beacon II™

A1500 Option code at the end of the model # is Parallel Piped

For 50 cycle capacity, multiply values by .86

# PERFORMANCE DATA – R-404A/R-507A

## Low Temperature - Dual Copeland Compressor Models

R-404A/R-507A		Capacity BTUH @ 90°F Ambient by SST								
Model	Compressor	0°F	-5°F	-10°F	-15°F	-20°F	-25°F	-30°F	-35°F	-40°F
BCD0240L/ACD	4DBNF54KE	212,600	190,200	169,720	150,900	133,440	117,160	101,820	86,960	72,360
BCD0300L/ACD	4DHNF63KE	248,540	223,360	200,180	178,540	158,540	139,660	121,860	104,720	87,980
BCD0440L/ACD	4DJNF76KE	289,560	262,980	237,320	212,740	189,180	166,840	145,440	124,760	104,840
BCD0540L/ACD	6DHNF93KE	355,820	323,420	291,300	260,020	229,340	200,340	173,360	148,180	125,480
BCD0600L/ACD	6DJNF11ME	387,340	352,120	318,620	285,640	254,140	223,520	194,900	168,020	142,920

R-404A/R-507A		Capacity BTUH @ 95°F Ambient by SST								
Model	Compressor	0°F	-5°F	-10°F	-15°F	-20°F	-25°F	-30°F	-35°F	-40°F
BCD0240L/ACD	4DBNF54KE	203,840	182,440	162,880	144,660	127,740	111,840	96,760	81,980	67,400
BCD0300L/ACD	4DHNF63KE	237,860	213,680	191,300	170,520	151,020	132,700	115,420	98,740	82,360
BCD0440L/ACD	4DJNF76KE	277,260	251,520	226,960	203,100	180,320	158,680	137,840	117,680	98,020
BCD0540L/ACD	6DHNF93KE	339,720	308,800	278,180	248,160	218,420	190,400	164,200	139,620	117,220
BCD0600L/ACD	6DJNF11ME	-	335,360	303,500	272,160	242,020	212,440	184,840	158,820	134,240

R-404A/R-507A		Capacity BTUH @ 100°F Ambient by SST								
Model	Compressor	0°F	-5°F	-10°F	-15°F	-20°F	-25°F	-30°F	-35°F	-40°F
BCD0240L/ACD	4DBNF54KE	194,980	174,560	155,840	138,300	121,880	106,360	91,440	76,820	62,240
BCD0300L/ACD	4DHNF63KE	227,620	204,300	182,780	162,700	143,860	126,100	109,300	93,080	77,160
BCD0440L/ACD	4DJNF76KE	264,800	240,220	216,700	193,560	171,680	150,500	130,180	110,460	91,120
BCD0540L/ACD	6DHNF93KE	323,260	294,080	264,860	236,080	207,920	180,360	154,920	131,040	109,020
BCD0600L/ACD	6DJNF11ME	-	-	288,240	259,080	229,800	201,820	174,980	149,500	125,500

R-404A/R-507A		Capacity BTUH @ 110°F Ambient by SST								
Model	Compressor	0°F	-5°F	-10°F	-15°F	-20°F	-25°F	-30°F	-35°F	-40°F
BCD0240L/ACD	4DBNF54KE	176,660	158,380	141,200	124,940	109,500	94,600	80,140	65,760	51,380
BCD0300L/ACD	4DHNF63KE	207,400	186,280	166,660	148,040	130,520	113,960	98,180	82,860	67,820
BCD0440L/ACD	4DJNF76KE	-	-	-	174,820	154,200	134,160	114,600	95,560	76,840
BCD0540L/ACD	6DHNF93KE	-	-	-	-	-	160,360	136,400	113,520	92,520
BCD0600L/ACD	6DJNF11ME	-	-	-	-	-	-	155,000	131,060	107,960

### Notes:

DEMAND COOLING IS REQUIRED FOR OPERATION AT LOW TEMPERATURE APPLICATIONS

^ C = 208-230/3/60, D = 460/3/60

A0400 Option code at the end of the model # is IntelliGen™/ Beacon II™

A1500 Option code at the end of the model # is Parallel Piped

For 50 cycle capacity, multiply values by .86

# PERFORMANCE DATA – R-448A/R-449A

## Low Temperature - Dual Copeland Compressor Models

R-448A/R-449A		Capacity BTUH @ 90°F Ambient by SST								
Model	Compressor	0°F	-5°F	-10°F	-15°F	-20°F	-25°F	-30°F	-35°F	-40°F
BCD0240LIACD	4DBNF54KE	198,420	175,140	153,380	132,900	114,000	96,740	81,200	67,460	55,540
BCD0300LIACD	4DHNF63KE	225,580	200,640	177,160	155,100	134,800	116,180	99,580	84,980	72,500
BCD0440LIACD	4DJNF76KE	280,120	246,060	215,860	188,340	163,760	141,040	119,780	99,000	78,320
BCD0540LIACD	6DHNF93KE	325,040	287,020	251,440	218,600	188,600	161,140	136,380	113,300	91,920
BCD0600LIACD	6DJNF11ME	387,640	343,000	301,460	263,140	226,840	194,040	163,820	135,340	108,440

R-448A/R-449A		Capacity BTUH @ 95°F Ambient by SST								
Model	Compressor	0°F	-5°F	-10°F	-15°F	-20°F	-25°F	-30°F	-35°F	-40°F
BCD0240LIACD	4DBNF54KE	190,440	167,880	146,800	126,900	108,460	91,620	76,380	62,860	51,180
BCD0300LIACD	4DHNF63KE	216,580	192,600	169,900	148,600	128,820	110,740	94,600	80,300	68,160
BCD0440LIACD	4DJNF76KE	269,220	235,840	206,400	179,640	155,600	133,320	112,420	91,920	71,520
BCD0540LIACD	6DHNF93KE	311,480	274,680	240,060	207,920	178,760	152,140	127,660	104,960	83,720
BCD0600LIACD	6DJNF11ME	370,640	327,440	287,080	249,440	214,560	182,320	152,760	124,720	98,160

R-448A/R-449A		Capacity BTUH @ 100°F Ambient by SST								
Model	Compressor	0°F	-5°F	-10°F	-15°F	-20°F	-25°F	-30°F	-35°F	-40°F
BCD0240LIACD	4DBNF54KE	182,200	160,500	139,920	120,580	102,640	86,120	71,280	58,000	46,500
BCD0300LIACD	4DHNF63KE	207,580	184,400	162,580	141,880	122,700	105,140	89,460	75,540	63,660
BCD0440LIACD	4DJNF76KE	258,240	225,760	197,000	170,820	147,320	125,460	104,920	84,740	64,580
BCD0540LIACD	6DHNF93KE	297,320	261,360	228,200	197,280	168,400	142,440	118,400	95,960	74,840
BCD0600LIACD	6DJNF11ME	352,900	311,040	272,120	235,520	201,620	170,320	141,060	113,520	86,900

R-448A/R-449A		Capacity BTUH @ 110°F Ambient by SST								
Model	Compressor	0°F	-5°F	-10°F	-15°F	-20°F	-25°F	-30°F	-35°F	-40°F
BCD0240LIACD	4DBNF54KE	165,180	144,760	125,460	107,240	90,160	74,520	60,340	47,660	36,360
BCD0300LIACD	4DHNF63KE	189,340	167,780	147,460	128,140	110,140	93,660	78,780	65,640	54,420
BCD0440LIACD	4DJNF76KE	235,960	205,260	177,980	153,240	130,540	109,520	89,500	70,000	50,600
BCD0540LIACD	6DHNF93KE	267,680	234,060	202,840	173,300	146,460	121,460	98,200	76,200	-
BCD0600LIACD	6DJNF11ME	-	-	240,520	206,460	173,760	144,020	115,980	88,840	-

**Notes:**

DEMAND COOLING IS REQUIRED FOR OPERATION AT LOW TEMPERATURE APPLICATIONS

^ C = 208-230/3/60, D = 460/3/60

A0400 Option code at the end of the model # is IntelliGen™/ Beacon II™

A1500 Option code at the end of the model # is Parallel Piped

For 50 cycle capacity, multiply values by .86

# PERFORMANCE DATA – R-407A/R-407F

## Low Temperature - Dual Copeland Compressor Models

R-407A/R-407F		Capacity BTUH @ 90°F Ambient by SST								
Model	Compressor	0°F	-5°F	-10°F	-15°F	-20°F	-25°F	-30°F	-35°F	-40°F
BCD0240LIACD	4DBNF54KE	203,480	180,160	157,940	136,980	117,320	99,120	82,460	67,180	53,540
BCD0300LIACD	4DHNF63KE	230,800	205,760	182,080	159,540	138,540	118,840	100,760	84,160	69,200
BCD0440LIACD	4DJNF76KE	288,200	253,780	222,060	192,680	166,200	143,040	122,860	105,840	92,160
BCD0540LIACD	6DHNF93KE	328,240	291,160	256,060	223,140	192,780	164,260	137,680	112,040	87,180
BCD0600LIACD	6DJNF11ME	389,620	346,300	305,760	267,800	231,500	197,380	165,320	134,540	104,560

R-407A/R-407F		Capacity BTUH @ 95°F Ambient by SST								
Model	Compressor	0°F	-5°F	-10°F	-15°F	-20°F	-25°F	-30°F	-35°F	-40°F
BCD0240LIACD	4DBNF54KE	194,840	172,020	150,740	130,420	111,360	93,680	77,380	62,540	49,200
BCD0300LIACD	4DHNF63KE	221,060	196,920	174,060	152,380	132,080	113,060	95,480	79,360	64,740
BCD0440LIACD	4DJNF76KE	275,800	242,400	211,500	183,180	158,040	135,740	116,620	100,680	88,160
BCD0540LIACD	6DHNF93KE	313,640	277,420	243,880	212,280	182,340	154,760	128,620	103,520	78,980
BCD0600LIACD	6DJNF11ME	371,300	329,540	290,420	253,700	218,040	185,000	154,000	123,860	94,520

R-407A/R-407F		Capacity BTUH @ 100°F Ambient by SST								
Model	Compressor	0°F	-5°F	-10°F	-15°F	-20°F	-25°F	-30°F	-35°F	-40°F
BCD0240LIACD	4DBNF54KE	185,640	163,840	143,300	123,640	105,160	87,980	72,100	57,620	44,640
BCD0300LIACD	4DHNF63KE	211,040	187,900	166,000	145,240	125,520	107,060	90,060	74,420	60,160
BCD0440LIACD	4DJNF76KE	263,160	230,780	200,780	173,640	149,540	128,240	110,180	95,340	83,920
BCD0540LIACD	6DHNF93KE	298,600	263,640	231,220	200,400	171,320	144,540	119,040	94,460	70,320
BCD0600LIACD	6DJNF11ME	353,520	312,480	274,500	238,980	204,300	172,180	141,980	112,560	83,500

R-407A/R-407F		Capacity BTUH @ 110°F Ambient by SST								
Model	Compressor	0°F	-5°F	-10°F	-15°F	-20°F	-25°F	-30°F	-35°F	-40°F
BCD0240LIACD	4DBNF54KE	167,000	146,980	127,700	109,340	92,020	75,740	60,820	47,160	34,760
BCD0300LIACD	4DHNF63KE	191,120	169,940	149,820	130,400	112,060	94,840	78,880	64,080	50,660
BCD0440LIACD	4DJNF76KE	237,260	207,000	179,160	154,260	131,980	112,720	96,740	84,000	74,660
BCD0540LIACD	6DHNF93KE	267,280	234,800	204,360	175,180	148,320	122,680	98,060	74,460	51,360
BCD0600LIACD	6DJNF11ME	-	-	241,060	207,680	175,400	145,260	116,340	87,820	60,080

### Notes:

DEMAND COOLING IS REQUIRED FOR OPERATION AT LOW TEMPERATURE APPLICATIONS

^ C = 208-230/3/60, D = 460/3/60

A0400 Option code at the end of the model # is IntelliGen™/ Beacon II™

A1500 Option code at the end of the model # is Parallel Piped

For 50 cycle capacity, multiply values by .86



# PERFORMANCE DATA – R-407C

## Low Temperature - Dual Copeland Compressor Models

R-407C		Capacity BTUH @ 90°F Ambient by SST								
Model	Compressor	0°F	-5°F	-10°F	-15°F	-20°F	-25°F	-30°F	-35°F	-40°F
BCD0240LACD	4DBNF54KE	175,920	153,240	132,560	113,600	96,480	81,120	67,220	54,780	43,560
BCD0300LACD	4DHNF63KE	200,200	175,600	153,160	132,700	114,100	97,360	82,360	68,700	56,220
BCD0440LACD	4DJNF76KE	232,880	202,920	176,640	153,620	133,240	115,060	98,460	82,800	67,500
BCD0540LACD	6DHNF93KE	287,560	254,480	222,140	191,100	162,140	135,320	110,880	89,720	71,540
BCD0600LACD	6DJNF11ME	334,980	296,280	259,360	223,620	190,160	159,580	131,980	107,120	86,100

R-407C		Capacity BTUH @ 95°F Ambient by SST								
Model	Compressor	0°F	-5°F	-10°F	-15°F	-20°F	-25°F	-30°F	-35°F	-40°F
BCD0240LACD	4DBNF54KE	169,200	147,060	126,880	108,320	91,580	76,540	62,920	50,740	39,660
BCD0300LACD	4DHNF63KE	192,600	168,660	146,800	126,860	108,700	92,380	77,760	64,360	52,260
BCD0440LACD	4DJNF76KE	224,940	195,800	170,460	148,020	128,180	110,380	94,180	78,780	63,700
BCD0540LACD	6DHNF93KE	276,760	244,520	212,600	182,280	153,820	127,120	103,240	81,840	63,680
BCD0600LACD	6DJNF11ME	321,580	283,920	247,960	213,020	180,180	150,280	122,800	98,600	77,400

R-407C		Capacity BTUH @ 100°F Ambient by SST								
Model	Compressor	0°F	-5°F	-10°F	-15°F	-20°F	-25°F	-30°F	-35°F	-40°F
BCD0240LACD	4DBNF54KE	162,220	140,640	120,820	102,780	86,480	71,740	58,360	46,360	35,560
BCD0300LACD	4DHNF63KE	184,800	161,540	140,240	120,720	103,100	87,180	72,940	59,860	48,040
BCD0440LACD	4DJNF76KE	216,420	188,280	163,800	142,060	122,800	105,400	89,560	74,500	59,500
BCD0540LACD	6DHNF93KE	265,860	234,300	203,120	173,160	145,240	118,780	95,200	73,940	55,620
BCD0600LACD	6DJNF11ME	308,080	271,420	236,360	202,000	169,900	140,680	113,520	89,660	68,660

R-407C		Capacity BTUH @ 110°F Ambient by SST								
Model	Compressor	0°F	-5°F	-10°F	-15°F	-20°F	-25°F	-30°F	-35°F	-40°F
BCD0240LACD	4DBNF54KE	147,360	126,740	107,980	90,780	75,340	61,140	48,420	36,940	26,480
BCD0300LACD	4DHNF63KE	168,780	146,640	126,480	107,960	91,240	76,240	62,600	50,180	38,840
BCD0440LACD	4DJNF76KE	197,440	171,360	148,700	128,380	110,100	93,660	78,600	64,040	49,500
BCD0540LACD	6DHNF93KE	243,720	213,560	183,580	154,920	127,240	101,780	78,320	57,160	38,800
BCD0600LACD	6DJNF11ME	-	246,060	212,680	179,840	149,400	120,480	94,540	70,640	49,860

**Notes:**

DEMAND COOLING IS REQUIRED FOR OPERATION AT LOW TEMPERATURE APPLICATIONS

^ C = 208-230/3/60, D = 460/3/60

A0400 Option code at the end of the model # is IntelliGen™/ Beacon II™

A1500 Option code at the end of the model # is Parallel Piped

For 50 cycle capacity, multiply values by .86

## UNIT SPECIFICATIONS

### Medium & Low Temperature Models

Please consult AWEF table on page 20 to confirm DOE compliance per model

Model	Compressor	Refrigerant Line Connections (OD)				Rec. Capacity @90% full (lbs)		Condenser Fan Data		Dimensions (In.)			Net Wt.
		Standard (2 Each)		Parallel Piped		Standard (2 Each)	Parallel Piped	No. Fans	Dia.	Length	Width	Height	(lbs.)
		Liquid	Suction	Liquid	Suction								
BCD0240L/ACD	4DBNF54KE	1-1/8	2-1/8	1-3/8	3-1/8	123	269	4	30"	170.7	91.5	53.9	3,730
BCD0300L/ACD	4DHNF63KE	1-1/8	2-1/8	1-3/8	3-1/8	123	269	4	30"	170.7	91.5	53.9	3,820
BCD0440L/ACD	4DJNF76KE	1-1/8	2-1/8	1-3/8	3-1/8	123	269	4	30"	170.7	91.5	53.9	3,730
BCD0540L/ACD	6DHNF93KE	1-1/8	2-1/8	1-3/8	3-1/8	123	269	4	30"	170.7	91.5	53.9	3,930
BCD0600L/ACD	6DJNF11ME	1-1/8	2-1/8	1-3/8	3-1/8	123	269	4	30"	170.7	91.5	53.9	3,930
BCD0300M/ACD	3DS3R17ME	1-1/8	1-5/8	1-3/8	2-5/8	123	269	4	30"	170.7	91.5	53.9	3,560
BCD0400M/ACD	4DBNR20ME	1-1/8	2-1/8	1-3/8	2-5/8	123	269	4	30"	170.7	91.5	53.9	3,880
BCD0500M/ACD	4DHNR22ME	1-1/8	2-1/8	1-3/8	2-5/8	123	269	4	30"	170.7	91.5	53.9	3,880
BCD0520M/ACD	4DHNR22ME	1-1/8	2-1/8	1-3/8	2-5/8	123	269	4	30"	170.7	91.5	53.9	3,880
BCD0600M/ACD	4DJNR28ME	1-1/8	2-1/8	1-3/8	2-5/8	188	269	4	30"	170.7	91.5	53.9	3,880
BCD0700M/ACD	6DHNR35ME	1-1/8	2-1/8	1-5/8	3-1/8	188	363	6	30"	225.7	91.5	53.9	4,770
BCD0800M*ACD	6DJNR40ME	1-1/8	2-1/8	1-5/8	3-1/8	188	363	6	30"	225.7	91.5	53.9	4,800

## UNIT SPECIFICATIONS

### Medium & Low Temperature Models- Dual Compressor Copeland/575V

Please consult AWEF table on page 20 to confirm DOE compliance per model

Model	Compressor	Refrigerant Line Connections (OD)				Rec. Capacity @90% full (lbs)		Condenser Fan Data		Dimensions (In.)			Net Wt.
		Standard (2 Each)		Parallel Piped		Standard (2 Each)	Parallel Piped	No. Fans	Dia.	Length	Width	Height	(lbs.)
		Liquid	Suction	Liquid	Suction								
BCD0300MEACD	3DS3R17ME	1-1/8	1-5/8	1-3/8	2-5/8	123	269	4	30"	170.7	91.5	53.9	3,810
BCD0400MEACD	4DBNR20ME	1-1/8	2-1/8	1-3/8	2-5/8	123	269	4	30"	170.7	91.5	53.9	3,880
BCD0500MEACD	4DHNR22ME	1-1/8	2-1/8	1-3/8	2-5/8	123	269	4	30"	170.7	91.5	53.9	3,880
BCD0520MEACD	4DHNR22ME	1-1/8	2-1/8	1-3/8	2-5/8	123	269	4	30"	170.7	91.5	53.9	4,140
BCD0600MEACD	4DJNR28ME	1-1/8	2-1/8	1-3/8	2-5/8	188	269	4	30"	170.7	91.5	53.9	3,880

#### Notes:

^ C = 208-230/3/60, D = 460/3/60

\* K = 230/3/60

A0400 Option code at the end of the model # is IntelliGen™/ Beacon II™

A1500 Option code at the end of the model # is Parallel Piped

# ELECTRICAL DATA

## Medium Temperature Models - Dual Compressor Copeland/208-230V

Please consult AWEF table on page 20 to confirm DOE compliance per model

Model	Compressor	Condensing Unit						Remote Loads							
		Compressor		Condenser		Air Defrost		2 Contactors <sup>†</sup>				1 Contactor <sup>†</sup>			
		RLA (Each)	LRA (Each)	No. Fans	FLA (Total)	MCA	MOPD	Evap. Fan Amps	Defrost Htrs. Amps	Electric Defrost		Evap. Fan Amps	Defrost Htrs. Amps	Electric Defrost	
										MCA	MOPD			MCA	MOPD
BCD0300MAACD	3DS3R17ME	53.5	275	4	14	134.4	175	25	96	240.0	250.0	25	96	240.0	250.0
BCD0400MAACD	4DBNR20ME	64.7	374	4	14	159.7	200	25	108	270.0	300.0	20	96	240.0	250.0
BCD0500MAACD	4DHNR22ME	66.8	428	4	14	164.3	225	30	136.4	341.0	350.0	-	-	-	-
BCD0520MAACD	4DHNR22ME	66.8	428	4	26.4	176.7	225	30	136.4	341.0	350.0	-	-	-	-
BCD0600MAACD	4DJNR28ME	94.6	470	4	26.4	239.3	300	-	-	-	-	-	-	-	-
BCD0700MAACD	6DHNR35ME	112.3	565	6	39.6	292.3	400	-	-	-	-	-	-	-	-
BCD0800MAACD	6DJNR40ME	128.2	594	6	39.6	328.1	450	-	-	-	-	-	-	-	-

**Notes:**

^ C = 208-230/3/60

\* K = 230/3/60

A0400 Option code at the end of the model # is IntelliGen™/ Beacon II™

A1500 Option code at the end of the model # is Parallel Piped

MCA = Minimum Circuit Ampacity

MOP = Maximum Overcurrent Protection

† = Number of Contactors per Compressor

Loads are shown per compressor circuit

Contact factory for 575 volt electrical specification

# ELECTRICAL DATA

## Medium Temperature Models - Dual Compressor Copeland/460V

Please consult AWEF table on page 20 to confirm DOE compliance per model

Model	Compressor	Condensing Unit						Remote Loads							
		Compressor		Condenser		Air Defrost		2 Contactors <sup>†</sup>				1 Contactor <sup>†</sup>			
		RLA (Each)	LRA (Each)	No. Fans	FLA (Total)	MCA	MOPD	Evap. Fan Amps	Defrost Htrs. Amps	Electric Defrost		Evap. Fan Amps	Defrost Htrs. Amps	Electric Defrost	
										MCA	MOPD			MCA	MOPD
BCD0300MAACD	3DS3R17ME	26.0	138	4	6.8	65.4	90	15	56.8	142.0	150.0	15	48	120.0	125.0
BCD0400MAACD	4DBNR20ME	32.4	187	4	6.8	79.6	110	15	56.8	142.0	150.0	15	48	120.0	125.0
BCD0500MAACD	4DHNR22ME	33.4	214	4	6.8	81.9	110	20	67	167.5	175.0	15	68.2	170.5	175.0
BCD0520MAACD	4DHNR22ME	33.4	214	4	13.2	88.3	110	20	79.5	198.8	200.0	15	68.2	170.5	175.0
BCD0600MAACD	4DJNR28ME	47.3	235	4	13.2	119.6	150	20	77	192.5	200.0	20	77	192.5	200.0
BCD0700MAACD	6DHNR35ME	56.2	283	6	19.8	146.1	200	20	84	210.0	225.0	20	84	210.0	225.0
BCD0800MAACD	6DJNR40ME	64.1	297	6	19.8	164.0	225	20	96	240.0	250.0	20	96	240.0	250.0

**Notes:**

^ D = 460/3/60

A0400 Option code at the end of the model # is IntelliGen™/ Beacon II™

MCA = Minimum Circuit Ampacity

MOP = Maximum Overcurrent Protection

† = Number of Contactors per Compressor

Loads are shown per compressor circuit

Contact factory for 575 volt electrical specification

# ELECTRICAL DATA

## Medium Temperature Models - Dual Compressor Copeland/575V

Please consult AWEF table on page 20 to confirm DOE compliance per model

Model	Compressor	Condensing Unit						Remote Loads							
		Compressor		Condenser		Air Defrost		2 Contactors <sup>†</sup>				1 Contactor <sup>†</sup>			
		RLA (Each)	LRA (Each)	No. Fans	FLA (Total)	MCA	MOPD	Evap. Fan Amps	Defrost Htrs. Amps	Electric Defrost		Evap. Fan Amps	Defrost Htrs. Amps	Electric Defrost	
										MCA	MOPD			MCA	MOPD
BCD0300MEACD	3DS3R17ME	21.2	110	4	5.4	53.0	70	15	50	125.0	125.0	15	40	100.0	100.0
BCD0400MEACD	4DBNR20ME	28.2	135	4	11.2	74.7	100	15	50	125.0	125.0	15	40	104.7	125.0
BCD0500MEACD	4DHNR22ME	29.9	172	4	11.2	78.4	100	20	60	150.0	150.0	15	60	150.0	150.0
BCD0520MEACD	4DHNR22ME	29.9	172	4	10.6	77.8	100	20	60	150.0	150.0	20	70	175.0	175.0
BCD0600MEACD	4DJNR28ME	39.6	200	4	11.2	100.3	125	20	70	175.0	175.0	20	70	175.0	175.0

**Notes:**

E = 575/3/60

A0400 Option code at the end of the model # is IntelliGen™/ Beacon II™

A1500 Option code at the end of the model # is Parallel Piped

MCA = Minimum Circuit Ampacity

MOP = Maximum Overcurrent Protection

<sup>†</sup> = Number of Contactors per Compressor

Loads are shown per compressor circuit

Contact factory for 575 volt electrical specification

# ELECTRICAL DATA

## Low Temperature Models - Dual Compressor Copeland/208-230V

Model	Compressor	Condensing Unit						Remote Loads							
		Compressor		Condenser		Air Defrost		2 Contactors <sup>†</sup>				1 Contactor <sup>†</sup>			
		RLA (Each)	LRA (Each)	No. Fans	FLA (Total)	MCA	MOPD	Evap. Fan Amps	Defrost Htrs. Amps	Electric Defrost		Evap. Fan Amps	Defrost Htrs. Amps	Electric Defrost	
										MCA	MOPD			MCA	MOPD
BCD0240LAACD	4DBNF54KE	46.0	220	4	14	117.6	150	22	64	161.6	200.0	15	48	147.6	175.0
BCD0300LAACD	4DHNF63KE	47.2	278	4	14	120.2	150	25	83	207.5	225.0	15	48	150.2	175.0
BCD0440LAACD	4DJNF76KE	57.7	374	4	14	143.8	200	25	105	262.5	300.0	15	48	173.8	225.0
BCD0540LAACD	6DHNF93KE	72.4	450	4	14	177.0	225	25	106	265.0	300.0	20	96	240.0	250.0
BCD0600LAACD	6DJNF11ME	85.8	470	4	14	207.0	250	30	159.1	397.8	400.0	20	96	247.0	300.0

**Notes:**

^ C = 208-230/3/60

A0400 Option code at the end of the model # is IntelliGen™/ Beacon II™

A1500 Option code at the end of the model # is Parallel Piped

MCA = Minimum Circuit Ampacity

MOP = Maximum Overcurrent Protection

† = Number of Contactors per Compressor

Loads are shown per compressor circuit

Contact factory for 575 volt electrical specification

# ELECTRICAL DATA

## Low Temperature Models - Dual Compressor Copeland/460V

Model	Compressor	Condensing Unit						Remote Loads							
		Compressor		Condenser		Air Defrost		2 Contactors <sup>†</sup>				1 Contactor <sup>†</sup>			
		RLA (Each)	LRA (Each)	No. Fans	FLA (Total)	MCA	MOPD	Evap. Fan Amps	Defrost Htrs. Amps	Electric Defrost		Evap. Fan Amps	Defrost Htrs. Amps	Electric Defrost	
										MCA	MOPD			MCA	MOPD
BCD0240LAACD	4DBNF54KE	23.0	110	4	6.8	58.6	80	15	38	95.0	110.0	10	24	78.6	100.0
BCD0300LAACD	4DHNF63KE	23.6	139	4	6.8	59.9	80	15	48	120.0	125.0	15	40	100.0	110.0
BCD0440LAACD	4DJNF76KE	28.8	187	4	6.8	71.7	100	15	56.8	142.0	150.0	15	48	120.0	125.0
BCD0540LAACD	6DHNF93KE	36.2	225	4	6.8	88.3	110	15	64	160.0	175.0	15	48	120.0	150.0
BCD0600LAACD	6DJNF11ME	42.9	235	4	6.8	103.3	125	20	76	190.0	200.0	15	48	133.3	175.0

**Notes:**

^ D = 460/3/60

A0400 Option code at the end of the model # is IntelliGen™/ Beacon II™

A1500 Option code at the end of the model # is Parallel Piped

MCA = Minimum Circuit Ampacity

MOP = Maximum Overcurrent Protection

† = Number of Contactors per Compressor

Loads are shown per compressor circuit

Contact factory for 575 volt electrical specification

## AWEF DATA – MEDIUM TEMPERATURE

### Copeland Dual Compressor Models - Outdoor Parallel Piped

Non-parallel piped dual compressor models are out of scope for DOE 2020 compliance

If model has a numerical value in the table below, the following statement applies:

This refrigeration system is designed and certified for use in walk-in cooler applications

Model	Outdoor					
	R-404A/ R-507A	R-448A	R-449A	R-407A	R-407C	R-407F
BCD0300M\ACDA1500	7.60	7.60	7.60	7.60	7.60	7.60
BCD0400M\ACDA1500	7.60	7.60	7.60	7.60	7.60	7.60
BCD0500M\ACDA1500	7.60	7.60	7.60	7.60	7.60	7.60
BCD0520M\ACDA1500	7.60	7.60	7.60	7.60	7.60	7.60
BCD0600M\ACDA1500	7.60	7.60	7.60	7.60	7.60	7.60
BCD0700M\ACDA1500	7.60	7.60	7.60	-	-	7.60
BCD0800M*ACDA1500	-	7.60	7.60	7.60	-	7.60

**Notes:**

^ C = 208-230/3/60, D = 460/3/60

\* K = 230/3/60

X = model not suitable for this refrigerant

— = model is not DOE AWEF compliant

## AWEF DATA – MEDIUM TEMPERATURE

### Copeland Dual Compressor Models - Outdoor Parallel Piped/575V

Non-parallel piped dual compressor models are out of scope for DOE 2020 compliance

If model has a numerical value in the table below, the following statement applies:

This refrigeration system is designed and certified for use in walk-in cooler applications

Model	Outdoor					
	R-404A/ R-507A	R-448A	R-449A	R-407A	R-407C	R-407F
BCD0300MEACDA1500	7.60	7.60	7.60	7.60	7.60	7.60
BCD0400MEACDA1500	-	-	-	-	-	7.60
BCD0500MEACDA1500	7.60	-	-	-	-	7.60
BCD0520MEACDA1500	7.60	7.60	7.60	7.60	7.60	7.60
BCD0600MEACDA1500	-	-	-	-	-	7.60

**Notes:**

E = 575/3/60

X = model not suitable for this refrigerant

— = model is not DOE AWEF compliant



# PERFORMANCE DATA – R-404A/R-507A

## Medium Temperature Models - Dual Bitzer Compressors

Please consult AWEF table on page 36 to confirm DOE compliance per model

R-404A/R-507A		Capacity BTUH @ 90°F Ambient by SST								
Model	Compressor	40°F	35°F	30°F	25°F	20°F	15°F	10°F	0°F	-10°F
BCD0300M\ABX	4PES-15Y	378,720	347,040	316,000	286,820	259,160	232,760	207,700	163,700	126,360
BCD0400M\ABX	4NES-20Y	431,960	397,900	364,700	332,080	301,500	272,500	244,980	194,900	152,640
BCD0440M\ABX	4JE-22Y	469,660	435,940	401,080	366,920	333,860	302,900	273,680	218,940	171,940
BCD0500M\ABX	4HE-25Y	534,960	497,820	461,640	424,120	388,000	352,500	319,580	258,300	204,580
BCD0600M\ABX	4GE-30Y	652,300	602,780	554,580	507,220	462,220	420,300	379,240	305,300	241,640
BCD0660M\ABX	6JE-33Y	717,600	661,880	607,460	553,520	503,260	455,020	409,740	326,480	255,620
BCD0700M\ABX	6HE-35Y	804,520	748,680	691,140	633,440	577,960	525,940	475,940	384,060	303,580
BCD0800M\ABX	6GE-40Y	936,200	867,760	800,540	733,740	670,800	610,460	552,840	446,020	353,780
BCD1100M\ABX	6FE-50Y	1,087,860	1,014,160	943,300	870,520	797,840	729,640	663,120	539,460	429,620

R-404A/R-507A		Capacity BTUH @ 95°F Ambient by SST								
Model	Compressor	40°F	35°F	30°F	25°F	20°F	15°F	10°F	0°F	-10°F
BCD0300M\ABX	4PES-15Y	360,060	329,400	300,560	272,720	246,140	220,860	197,380	155,080	119,220
BCD0400M\ABX	4NES-20Y	409,340	378,400	346,960	316,540	286,940	259,120	232,820	185,400	144,740
BCD0440M\ABX	4JE-22Y	445,960	413,180	380,240	348,960	317,560	288,140	260,200	207,860	162,860
BCD0500M\ABX	4HE-25Y	507,080	472,280	438,140	403,040	368,120	335,300	303,980	245,760	194,480
BCD0600M\ABX	4GE-30Y	619,920	573,360	527,820	483,580	440,320	400,300	361,220	291,000	229,860
BCD0660M\ABX	6JE-33Y	683,060	630,320	578,440	527,400	479,480	434,020	389,600	310,540	242,140
BCD0700M\ABX	6HE-35Y	763,520	711,420	655,860	602,520	549,960	500,640	453,680	365,120	288,420
BCD0800M\ABX	6GE-40Y	889,000	824,940	761,080	698,220	638,680	582,060	526,700	424,760	336,660
BCD1100M\ABX	6FE-50Y	1,033,020	964,600	895,100	826,760	758,200	693,620	631,200	514,040	408,840

R-404A/R-507A		Capacity BTUH @ 100°F Ambient by SST								
Model	Compressor	40°F	35°F	30°F	25°F	20°F	15°F	10°F	0°F	-10°F
BCD0300M\ABX	4PES-15Y	341,300	312,380	285,020	258,380	233,240	209,200	186,900	146,500	112,220
BCD0400M\ABX	4NES-20Y	388,940	358,720	329,060	299,700	272,240	246,160	221,060	175,680	136,900
BCD0440M\ABX	4JE-22Y	421,860	391,320	361,060	330,820	301,100	273,240	246,580	196,720	153,800
BCD0500M\ABX	4HE-25Y	479,020	446,280	414,660	381,940	349,240	317,820	288,180	233,200	184,120
BCD0600M\ABX	4GE-30Y	587,360	543,620	500,720	457,800	418,080	380,060	343,160	276,300	218,020
BCD0660M\ABX	6JE-33Y	648,100	598,420	549,220	500,900	454,960	412,080	369,860	294,180	228,660
BCD0700M\ABX	6HE-35Y	722,180	670,780	621,320	571,160	521,600	475,020	430,500	346,260	273,120
BCD0800M\ABX	6GE-40Y	841,660	780,900	721,280	662,180	605,940	552,660	499,260	403,260	319,380
BCD1100M\ABX	6FE-50Y	970,780	908,080	846,420	782,360	717,700	657,400	598,660	487,820	388,180

**Notes:**

^ C = 208-230/3/60, D = 460/3/60, E = 575/3/60  
 A0400 Option code at the end of the model # is IntelliGen™/ Beacon II™  
 A1500 Option code at the end of the model # is Parallel Piped

## PERFORMANCE DATA – R-404A/R-507A

### Medium Temperature Models - Dual Bitzer Compressors (cont.)

Please consult AWEF table on page 36 to confirm DOE compliance per model

R-404A/R-507A		Capacity BTUH @ 110°F Ambient by SST								
Model	Compressor	40°F	35°F	30°F	25°F	20°F	15°F	10°F	0°F	-10°F
BCD0300M <sup>^</sup> ABX	4PES-15Y	303,620	277,960	253,820	229,960	207,380	186,220	165,960	129,480	98,440
BCD0400M <sup>^</sup> ABX	4NES-20Y	345,580	319,060	292,880	267,040	243,040	219,160	196,780	156,320	121,280
BCD0440M <sup>^</sup> ABX	4JE-22Y	-	348,080	320,820	293,480	267,940	243,520	219,340	174,780	135,700
BCD0500M <sup>^</sup> ABX	4HE-25Y	-	-	367,560	338,260	309,340	282,520	256,760	206,940	163,360
BCD0600M <sup>^</sup> ABX	4GE-30Y	521,660	483,280	445,200	408,080	373,320	339,280	306,100	246,600	194,180
BCD0660M <sup>^</sup> ABX	6JE-33Y	577,220	533,340	490,120	446,540	406,380	367,180	329,800	261,500	201,860
BCD0700M <sup>^</sup> ABX	6HE-35Y	-	596,380	551,620	507,800	464,220	423,060	383,400	308,080	242,400
BCD0800M <sup>^</sup> ABX	6GE-40Y	745,160	692,840	640,980	588,860	539,560	491,880	445,360	360,000	284,300
BCD1100M <sup>^</sup> ABX	6FE-50Y	-	-	747,540	692,040	636,280	583,880	533,160	433,780	345,480

**Notes:**

<sup>^</sup> C = 208-230/3/60, D = 460/3/60, K=230/3/60

A0400 Option code at the end of the model # is IntelliGen™/ Beacon II™

A1500 Option code at the end of the model # is Parallel Piped

# PERFORMANCE DATA – R-448A/R-449A

## Medium Temperature Models - Dual Bitzer Compressors

Please consult AWEF table on page 36 to confirm DOE compliance per model

R-448A/R-449A		Capacity BTUH @ 90°F Ambient by SST								
Model	Compressor	40°F	35°F	30°F	25°F	20°F	15°F	10°F	0°F	-10°F
BCD0300M\ABX	4PES-15Y	371,900	335,960	301,900	270,200	240,260	212,940	187,960	144,340	108,560
BCD0400M\ABX	4NES-20Y	430,780	390,380	352,540	316,820	283,420	252,640	223,980	173,900	132,700
BCD0440M\ABX	4JE-22Y	472,960	430,120	390,000	351,820	315,820	282,620	251,040	195,520	149,420
BCD0500M\ABX	4HE-25Y	545,040	498,340	452,580	409,900	369,380	331,440	296,180	232,460	179,260
BCD0600M\ABX	4GE-30Y	648,560	591,300	536,440	484,540	436,080	390,500	348,340	273,460	210,980
BCD0660M\ABX	6JE-33Y	714,580	649,360	587,000	528,100	473,360	421,820	374,140	290,700	221,400
BCD0700M\ABX	6HE-35Y	814,520	742,700	674,920	610,260	549,200	492,120	438,920	344,200	265,200
BCD0800M\ABX	6GE-40Y	936,720	856,120	778,320	704,360	635,100	569,540	508,300	400,140	309,520
BCD1100M\ABX	6FE-50Y	1,111,360	1,019,480	929,340	844,100	763,120	686,920	615,600	486,880	376,840

R-448A/R-449A		Capacity BTUH @ 95°F Ambient by SST								
Model	Compressor	40°F	35°F	30°F	25°F	20°F	15°F	10°F	0°F	-10°F
BCD0300M\ABX	4PES-15Y	356,900	322,280	289,400	258,740	229,760	203,480	179,380	137,240	102,800
BCD0400M\ABX	4NES-20Y	413,880	374,960	338,520	304,060	272,100	242,080	214,540	166,120	126,360
BCD0440M\ABX	4JE-22Y	454,260	413,000	374,320	337,520	302,600	270,560	240,200	186,520	141,980
BCD0500M\ABX	4HE-25Y	523,080	478,300	434,320	393,260	354,300	317,780	283,800	222,320	170,980
BCD0600M\ABX	4GE-30Y	622,900	567,940	515,240	465,300	418,660	374,360	333,860	261,920	201,700
BCD0660M\ABX	6JE-33Y	687,260	624,500	564,320	507,340	454,360	404,440	358,420	277,300	210,300
BCD0700M\ABX	6HE-35Y	782,480	713,460	648,340	586,120	526,860	472,500	420,820	329,300	252,980
BCD0800M\ABX	6GE-40Y	899,560	822,240	747,600	676,520	609,800	546,680	487,880	383,440	295,940
BCD1100M\ABX	6FE-50Y	1,065,040	977,460	891,200	809,980	732,380	659,180	590,600	466,220	360,740

R-448A/R-449A		Capacity BTUH @ 100°F Ambient by SST								
Model	Compressor	40°F	35°F	30°F	25°F	20°F	15°F	10°F	0°F	-10°F
BCD0300M\ABX	4PES-15Y	341,980	308,600	276,920	247,360	219,760	194,060	170,880	130,240	97,100
BCD0400M\ABX	4NES-20Y	397,020	359,540	324,460	291,320	260,520	231,560	204,800	158,300	120,100
BCD0440M\ABX	4JE-22Y	435,500	396,580	358,640	322,960	289,600	258,660	229,200	177,700	134,540
BCD0500M\ABX	4HE-25Y	501,020	458,200	415,960	376,660	339,180	304,040	271,140	212,120	162,660
BCD0600M\ABX	4GE-30Y	597,100	544,420	493,860	445,920	401,040	358,480	319,420	250,340	192,340
BCD0660M\ABX	6JE-33Y	661,160	599,580	541,580	486,540	435,340	387,040	342,300	264,020	199,220
BCD0700M\ABX	6HE-35Y	750,380	684,060	621,660	561,520	505,000	452,480	402,700	314,360	240,700
BCD0800M\ABX	6GE-40Y	862,220	788,100	716,600	648,380	584,440	523,720	467,280	366,460	282,140
BCD1100M\ABX	6FE-50Y	1,019,380	935,800	853,340	775,680	701,360	632,040	565,420	445,780	344,140

**Notes:**

^ C = 208-230/3/60, D = 460/3/60, K=230/3/60  
 A0400 Option code at the end of the model # is IntelliGen™/ Beacon II™  
 A1500 Option code at the end of the model # is Parallel Piped

## PERFORMANCE DATA – R-448A/R-449A

Medium Temperature Models - Dual Bitzer Compressors (cont.)

Please consult AWEF table on page 36 to confirm DOE compliance per model

R-448A/R-449A		Capacity BTUH @ 110°F Ambient by SST								
Model	Compressor	40°F	35°F	30°F	25°F	20°F	15°F	10°F	0°F	-10°F
BCD0300M <sup>Λ</sup> ABX	4PES-15Y	312,300	281,560	252,580	224,720	199,000	175,640	154,000	116,500	85,880
BCD0400M <sup>Λ</sup> ABX	4NES-20Y	-	-	296,700	266,120	237,620	210,640	185,980	143,080	107,660
BCD0440M <sup>Λ</sup> ABX	4JE-22Y	-	-	-	294,480	263,600	234,880	207,880	159,800	119,720
BCD0500M <sup>Λ</sup> ABX	4HE-25Y	-	-	-	-	308,620	276,380	246,200	191,680	146,040
BCD0600M <sup>Λ</sup> ABX	4GE-30Y	-	-	451,100	407,460	365,660	326,980	290,620	227,040	173,580
BCD0660M <sup>Λ</sup> ABX	6JE-33Y	-	-	495,880	444,880	396,640	351,960	310,380	237,580	177,180
BCD0700M <sup>Λ</sup> ABX	6HE-35Y	-	-	-	-	460,880	412,380	365,920	284,320	216,000
BCD0800M <sup>Λ</sup> ABX	6GE-40Y	-	-	654,420	591,960	533,260	476,900	425,040	332,360	254,140
BCD1100M <sup>Λ</sup> ABX	6FE-50Y	-	-	-	-	638,740	575,440	514,320	404,200	310,220

### Notes:

#### HEAD FAN REQUIRED

<sup>Λ</sup> C = 208-230/3/60, D = 460/3/60, K=230/3/60

A0400 Option code at the end of the model # is IntelliGen™/ Beacon II™

A1500 Option code at the end of the model # is Parallel Piped

# PERFORMANCE DATA – R-407A/R-407F

## Medium Temperature Models - Dual Bitzer Compressors

Please consult AWEF table on page 36 to confirm DOE compliance per model

R-407A/R-407F		Capacity BTUH @ 90°F Ambient by SST								
Model	Compressor	40°F	35°F	30°F	25°F	20°F	15°F	10°F	0°F	-10°F
BCD0300M\ABX	4PES-15Y	375,440	340,840	307,720	276,800	246,960	219,920	194,560	150,220	113,040
BCD0400M\ABX	4NES-20Y	428,960	390,120	353,720	319,100	286,460	256,140	227,380	176,940	134,460
BCD0440M\ABX	4JE-22Y	467,400	426,360	386,280	348,780	313,360	280,480	248,980	192,740	145,300
BCD0500M\ABX	4HE-25Y	531,420	485,540	441,120	398,180	358,000	320,360	285,200	220,960	166,600
BCD0600M\ABX	4GE-30Y	651,320	594,020	538,860	486,320	437,420	391,000	347,680	270,880	205,660
BCD0660M\ABX	6JE-33Y	711,840	647,500	587,220	529,700	475,160	424,660	376,860	291,560	219,260
BCD0700M\ABX	6HE-35Y	820,600	750,480	681,600	616,680	555,480	497,800	443,860	345,720	262,560
BCD0800M\ABX	6GE-40Y	965,980	880,880	800,560	723,900	651,200	583,540	518,740	404,360	307,320
BCD1100M\ABX	6FE-50Y	1,122,260	1,026,220	933,180	845,780	762,480	683,980	610,460	476,360	362,460

R-407A/R-407FA		Capacity BTUH @ 95°F Ambient by SST								
Model	Compressor	40°F	35°F	30°F	25°F	20°F	15°F	10°F	0°F	-10°F
BCD0300M\ABX	4PES-15Y	359,740	326,440	294,580	264,740	236,140	209,900	185,680	142,740	106,820
BCD0400M\ABX	4NES-20Y	411,080	373,720	338,780	305,460	273,980	244,800	217,360	168,500	127,560
BCD0440M\ABX	4JE-22Y	447,600	408,180	369,620	333,540	299,400	267,620	237,080	183,280	137,360
BCD0500M\ABX	4HE-25Y	508,640	464,540	421,900	381,120	341,900	305,620	271,680	209,760	157,460
BCD0600M\ABX	4GE-30Y	625,160	569,960	516,900	466,300	419,060	373,880	332,440	258,360	195,440
BCD0660M\ABX	6JE-33Y	682,020	620,140	562,120	506,540	454,160	405,360	359,260	276,980	207,300
BCD0700M\ABX	6HE-35Y	786,300	718,980	653,960	590,420	531,520	475,940	423,900	329,240	249,160
BCD0800M\ABX	6GE-40Y	926,620	844,900	767,700	693,820	623,820	558,320	496,220	385,920	292,000
BCD1100M\ABX	6FE-50Y	1,073,200	983,340	894,020	810,060	729,960	654,320	583,080	454,080	344,300

R-407A/R-407F		Capacity BTUH @ 100°F Ambient by SST								
Model	Compressor	40°F	35°F	30°F	25°F	20°F	15°F	10°F	0°F	-10°F
BCD0300M\ABX	4PES-15Y	343,980	312,040	281,400	252,680	225,360	199,880	176,640	135,300	100,720
BCD0400M\ABX	4NES-20Y	393,140	357,340	323,780	291,820	261,940	233,420	206,880	160,060	120,720
BCD0440M\ABX	4JE-22Y	427,860	390,020	352,900	318,320	285,440	254,840	225,640	173,660	129,480
BCD0500M\ABX	4HE-25Y	485,820	443,620	402,720	363,560	325,840	290,960	258,180	198,580	148,340
BCD0600M\ABX	4GE-30Y	598,880	545,920	494,760	446,280	400,720	357,420	317,240	245,860	185,280
BCD0660M\ABX	6JE-33Y	652,180	592,740	537,000	483,600	433,880	386,140	341,500	262,520	195,480
BCD0700M\ABX	6HE-35Y	751,960	687,560	625,220	564,300	507,580	454,780	403,840	312,900	235,880
BCD0800M\ABX	6GE-40Y	887,280	808,920	734,780	663,880	596,260	533,340	473,820	367,220	276,820
BCD1100M\ABX	6FE-50Y	-	940,540	854,960	774,440	697,500	624,340	556,100	431,720	326,220

**Notes:**

HEAD FAN REQUIRED

^ C = 208-230/3/60, D = 460/3/60, K=230/3/60

A0400 Option code at the end of the model # is IntelliGen™/ Beacon II™

A1500 Option code at the end of the model # is Parallel Piped

## PERFORMANCE DATA – R-407A/R-407F

Medium Temperature Models - Dual Bitzer Compressors (cont.)

Please consult AWEF table on page 36 to confirm DOE compliance per model

R-407A/R-407F		Capacity BTUH @ 110°F Ambient by SST								
Model	Compressor	40°F	35°F	30°F	25°F	20°F	15°F	10°F	0°F	-10°F
BCD0300M <sup>^</sup> ABX	4PES-15Y	312,560	283,280	255,560	228,300	203,340	180,220	158,620	120,500	88,660
BCD0400M <sup>^</sup> ABX	4NES-20Y	-	-	293,920	264,580	237,060	210,640	186,360	143,360	107,020
BCD0440M <sup>^</sup> ABX	4JE-22Y	-	-	-	288,160	257,860	229,560	202,580	154,740	113,900
BCD0500M <sup>^</sup> ABX	4HE-25Y	-	-	-	-	294,060	262,360	231,440	177,000	130,520
BCD0600M <sup>^</sup> ABX	4GE-30Y	-	-	451,020	406,980	364,280	324,740	287,120	221,280	165,300
BCD0660M <sup>^</sup> ABX	6JE-33Y	-	-	487,200	438,060	392,060	348,000	306,800	233,980	172,200
BCD0700M <sup>^</sup> ABX	6HE-35Y	-	-	-	-	460,200	411,520	364,260	280,620	209,640
BCD0800M <sup>^</sup> ABX	6GE-40Y	-	-	-	604,140	542,540	483,200	428,520	330,400	246,920
BCD1100M <sup>^</sup> ABX	6FE-50Y	-	-	-	-	632,940	565,760	502,760	388,040	290,760

### Notes:

HEAD FAN REQUIRED

Liquid Injection via CIC is Required

<sup>^</sup> C = 208-230/3/60, D = 460/3/60, K=230/3/60

A0400 Option code at the end of the model # is IntelliGen™/ Beacon II™

A1500 Option code at the end of the model # is Parallel Piped



# PERFORMANCE DATA – R-407C

## Medium Temperature Models - Dual Bitzer Compressors

Please consult AWEF table on page 36 to confirm DOE compliance per model

R-407C		Capacity BTUH @ 90°F Ambient by SST								
Model	Compressor	40°F	35°F	30°F	25°F	20°F	15°F	10°F	0°F	-10°F
BCD0300M <sup>Λ</sup> ABX	4PES-15Y	338,920	305,680	274,860	246,200	219,140	194,560	171,560	131,260	96,740
BCD0400M <sup>Λ</sup> ABX	4NES-20Y	389,200	352,640	317,500	285,180	255,000	226,980	200,980	154,960	115,540
BCD0440M <sup>Λ</sup> ABX	4JE-22Y	431,420	390,660	351,860	314,920	280,900	249,300	219,940	167,260	122,220
BCD0500M <sup>Λ</sup> ABX	4HE-25Y	502,380	456,200	412,040	369,900	330,900	294,660	260,920	199,940	147,300
BCD0600M <sup>Λ</sup> ABX	4GE-30Y	611,720	555,120	501,200	450,860	403,180	359,120	318,000	245,420	182,980
BCD0660M <sup>Λ</sup> ABX	6JE-33Y	636,560	576,640	519,760	466,300	416,620	370,420	327,400	251,860	187,060
BCD0700M <sup>Λ</sup> ABX	6HE-35Y	740,600	671,820	607,460	546,720	490,360	437,180	387,680	300,060	225,260
BCD0800M <sup>Λ</sup> ABX	6GE-40Y	884,460	803,900	727,160	655,600	587,660	524,480	466,580	363,220	275,020
BCD1100M <sup>Λ</sup> ABX	6FE-50Y	1,022,700	928,880	840,360	757,080	678,860	606,600	538,240	417,760	314,480

R-407C		Capacity BTUH @ 95°F Ambient by SST								
Model	Compressor	40°F	35°F	30°F	25°F	20°F	15°F	10°F	0°F	-10°F
BCD0300M <sup>Λ</sup> ABX	4PES-15Y	324,920	293,380	263,600	235,880	209,720	186,080	163,860	124,960	91,740
BCD0400M <sup>Λ</sup> ABX	4NES-20Y	373,940	338,600	304,700	273,480	244,400	217,380	192,460	147,860	109,940
BCD0440M <sup>Λ</sup> ABX	4JE-22Y	414,500	375,200	337,660	301,940	269,340	238,660	209,900	159,120	115,560
BCD0500M <sup>Λ</sup> ABX	4HE-25Y	483,140	438,560	395,940	355,700	317,480	282,380	249,720	190,800	-
BCD0600M <sup>Λ</sup> ABX	4GE-30Y	589,820	535,120	483,020	434,340	388,140	345,600	305,620	235,200	174,720
BCD0660M <sup>Λ</sup> ABX	6JE-33Y	611,700	553,980	499,100	448,040	399,560	355,180	313,440	240,640	178,120
BCD0700M <sup>Λ</sup> ABX	6HE-35Y	712,040	645,760	583,740	525,200	470,860	419,360	371,980	287,620	215,400
BCD0800M <sup>Λ</sup> ABX	6GE-40Y	852,180	774,600	700,540	631,520	565,840	505,000	449,000	349,340	264,340
BCD1100M <sup>Λ</sup> ABX	6FE-50Y	983,240	892,720	807,940	727,720	652,380	582,640	516,940	400,560	301,120

R-407C		Capacity BTUH @ 100°F Ambient by SST								
Model	Compressor	40°F	35°F	30°F	25°F	20°F	15°F	10°F	0°F	-10°F
BCD0300M <sup>Λ</sup> ABX	4PES-15Y	311,980	281,060	252,320	225,580	200,520	177,560	156,100	118,680	86,780
BCD0400M <sup>Λ</sup> ABX	4NES-20Y	358,580	324,560	292,280	261,780	233,980	207,700	183,720	140,720	104,300
BCD0440M <sup>Λ</sup> ABX	4JE-22Y	397,760	359,700	323,540	288,920	257,180	227,840	200,020	151,040	108,960
BCD0500M <sup>Λ</sup> ABX	4HE-25Y	463,940	420,920	379,820	340,420	304,100	270,180	238,200	181,700	-
BCD0600M <sup>Λ</sup> ABX	4GE-30Y	567,760	515,040	464,720	417,640	372,980	331,680	293,240	225,080	166,340
BCD0660M <sup>Λ</sup> ABX	6JE-33Y	586,800	531,200	478,320	429,120	381,880	339,200	299,640	229,280	169,220
BCD0700M <sup>Λ</sup> ABX	6HE-35Y	683,500	619,600	559,940	503,220	450,980	401,640	356,240	274,940	205,500
BCD0800M <sup>Λ</sup> ABX	6GE-40Y	819,640	744,960	673,700	607,200	544,000	485,860	431,380	335,580	253,580
BCD1100M <sup>Λ</sup> ABX	6FE-50Y	944,320	857,060	775,560	698,300	626,500	558,600	495,040	383,280	287,720

**Notes:**

Λ C = 208-230/3/60, D = 460/3/60, K=230/3/60  
 A0400 Option code at the end of the model # is IntelliGen™/ Beacon II™  
 A1500 Option code at the end of the model # is Parallel Piped

## PERFORMANCE DATA – R-407C

### Medium Temperature Models - Dual Bitzer Compressors (cont.)

Please consult AWEF table on page 36 to confirm DOE compliance per model

R-407C		Capacity BTUH @ 110°F Ambient by SST								
Model	Compressor	40°F	35°F	30°F	25°F	20°F	15°F	10°F	0°F	-10°F
BCD0300M <sup>Λ</sup> ABX	4PES-15Y	284,560	256,340	229,880	204,600	181,660	160,180	140,480	106,040	76,680
BCD0400M <sup>Λ</sup> ABX	4NES-20Y	328,040	296,480	266,200	238,340	212,560	188,320	166,120	126,560	-
BCD0440M <sup>Λ</sup> ABX	4JE-22Y	-	328,880	295,260	263,300	234,160	206,340	180,900	135,200	95,820
BCD0500M <sup>Λ</sup> ABX	4HE-25Y	-	-	347,500	310,960	277,300	246,200	216,640	163,520	117,840
BCD0600M <sup>Λ</sup> ABX	4GE-30Y	523,900	475,040	428,240	384,260	342,740	304,240	268,660	204,960	149,980
BCD0660M <sup>Λ</sup> ABX	6JE-33Y	537,940	485,500	436,580	390,980	347,680	307,680	271,340	206,620	151,380
BCD0700M <sup>Λ</sup> ABX	6HE-35Y	-	566,700	511,840	459,960	411,700	366,020	323,900	249,480	185,520
BCD0800M <sup>Λ</sup> ABX	6GE-40Y	754,760	685,880	619,940	558,440	500,020	446,380	396,000	307,600	232,080
BCD1100M <sup>Λ</sup> ABX	6FE-50Y	-	-	710,280	639,060	572,840	510,140	451,880	349,080	261,020

#### Notes:

##### HEAD FAN REQUIRED

<sup>Λ</sup> C = 208-230/3/60, D = 460/3/60, K=230/3/60

A0400 Option code at the end of the model # is IntelliGen™/ Beacon II™

A1500 Option code at the end of the model # is Parallel Piped

# PERFORMANCE DATA – R-404A/R-507A

## Low Temperature Models - Dual Bitzer Compressors

Please consult AWEF table on page 36 to confirm DOE compliance per model

R-404A/R-507A		Capacity BTUH @ 90°F Ambient by SST								
Model	Compressor	0°F	-5°F	-10°F	-15°F	-20°F	-25°F	-30°F	-35°F	-40°F
BCD0260LIABX	4JE-15Y	223,400	199,100	176,480	155,640	136,160	118,200	101,660	86,320	72,220
BCD0300LIABX	4HE-18Y	261,700	233,860	208,040	184,060	161,640	140,920	121,840	104,040	87,680
BCD0400LIABX	4GE-23Y	300,160	270,080	241,200	214,280	189,100	165,900	144,220	124,120	105,400
BCD0440LIABX	6JE-25Y	313,680	280,660	250,480	222,020	195,000	170,240	147,220	125,840	105,860
BCD0500LIABX	6HE-28Y	362,980	326,540	292,520	260,420	229,620	200,920	174,620	149,880	126,860
BCD0600LIABX	6GE-34Y	412,580	375,600	339,400	305,180	272,400	241,360	211,980	183,900	157,920
BCD0800LIABX	6FE-44Y	526,880	475,680	427,360	380,460	336,320	295,000	256,860	220,920	187,340

R-404A/R-507A		Capacity BTUH @ 95°F Ambient by SST								
Model	Compressor	0°F	-5°F	-10°F	-15°F	-20°F	-25°F	-30°F	-35°F	-40°F
BCD0260LIABX	4JE-15Y	212,360	189,260	167,820	147,640	128,960	111,600	95,760	81,120	67,600
BCD0300LIABX	4HE-18Y	249,080	222,700	197,840	174,920	153,480	133,620	115,340	98,260	82,580
BCD0400LIABX	4GE-23Y	285,640	257,100	229,640	203,960	180,120	157,760	137,060	117,820	99,920
BCD0440LIABX	6JE-25Y	297,880	266,500	237,620	210,100	184,440	160,800	138,740	118,100	99,080
BCD0500LIABX	6HE-28Y	344,460	309,900	277,600	246,980	217,840	190,120	165,000	141,300	119,100
BCD0600LIABX	6GE-34Y	391,080	356,380	322,240	289,940	258,880	229,360	201,140	174,500	149,640
BCD0800LIABX	6FE-44Y	500,940	452,520	406,660	361,700	319,740	280,480	243,640	209,040	176,660

R-404A/R-507A		Capacity BTUH @ 100°F Ambient by SST								
Model	Compressor	0°F	-5°F	-10°F	-15°F	-20°F	-25°F	-30°F	-35°F	-40°F
BCD0260LIABX	4JE-15Y	201,680	179,380	158,940	139,660	121,780	105,220	89,960	75,940	63,000
BCD0300LIABX	4HE-18Y	236,320	211,120	187,580	165,760	145,300	126,320	108,720	92,520	77,520
BCD0400LIABX	4GE-23Y	271,020	243,960	218,260	193,560	170,920	149,580	129,900	111,540	94,480
BCD0440LIABX	6JE-25Y	281,740	252,220	225,080	198,720	174,180	151,380	130,280	110,520	92,340
BCD0500LIABX	6HE-28Y	325,760	293,100	262,560	233,440	205,440	179,580	155,360	132,700	111,440
BCD0600LIABX	6GE-34Y	369,120	336,840	304,780	274,420	245,580	216,880	190,340	165,180	141,240
BCD0800LIABX	6FE-44Y	474,700	429,060	385,560	342,780	302,960	265,520	230,260	197,040	165,660

R-404A/R-507A		Capacity BTUH @ 110°F Ambient by SST								
Model	Compressor	0°F	-5°F	-10°F	-15°F	-20°F	-25°F	-30°F	-35°F	-40°F
BCD0260LIABX	4JE-15Y	179,500	159,860	141,200	123,740	107,440	92,300	78,500	65,740	53,940
BCD0300LIABX	4HE-18Y	210,780	188,080	167,300	147,440	128,960	111,640	95,820	81,140	67,540
BCD0400LIABX	4GE-23Y	241,800	217,620	194,360	172,880	152,400	133,340	115,640	99,120	83,640
BCD0440LIABX	6JE-25Y	249,280	223,540	198,660	175,220	153,360	132,720	113,380	95,580	79,080
BCD0500LIABX	6HE-28Y	287,300	259,300	232,700	206,360	181,400	158,000	136,120	115,400	96,240
BCD0600LIABX	6GE-34Y	-	297,180	269,280	242,820	217,400	192,460	168,500	145,780	124,120
BCD0800LIABX	6FE-44Y	421,280	381,280	342,080	304,820	269,280	235,240	203,180	172,660	143,920

### Notes:

HEAD FAN REQUIRED

^ C = 208-230/3/60, D = 460/3/60, K=230/3/60

A0400 Option code at the end of the model # is IntelliGen™/ Beacon II™

A1500 Option code at the end of the model # is Parallel Piped

# PERFORMANCE DATA – R-448A/R-449A

## Low Temperature Models - Dual Bitzer Compressors

Please consult AWEF table on page 36 to confirm DOE compliance per model

R-448A/R-449A		Capacity BTUH @ 90°F Ambient by SST								
Model	Compressor	0°F	-5°F	-10°F	-15°F	-20°F	-25°F	-30°F	-35°F	-40°F
BCD0260L/ABX	4JE-15Y	201,660	176,960	154,640	134,040	115,240	98,100	82,420	68,060	54,860
BCD0300L/ABX	4HE-18Y	236,920	208,860	182,940	159,280	137,520	117,640	99,540	82,780	67,380
BCD0400L/ABX	4GE-23Y	274,820	242,840	213,820	186,840	162,240	139,600	118,920	99,820	82,100
BCD0440L/ABX	6JE-25Y	287,540	253,520	222,320	193,140	166,660	142,420	120,320	99,840	81,040
BCD0500L/ABX	6HE-28Y	335,200	296,560	260,880	227,460	196,900	169,020	143,380	119,720	97,720
BCD0600L/ABX	6GE-34Y	391,140	349,520	310,380	273,720	239,300	207,360	177,920	150,760	125,300
BCD0800L/ABX	6FE-44Y	486,680	431,880	380,560	332,820	288,820	248,540	211,420	176,980	145,040

R-448A/R-449A		Capacity BTUH @ 95°F Ambient by SST								
Model	Compressor	0°F	-5°F	-10°F	-15°F	-20°F	-25°F	-30°F	-35°F	-40°F
BCD0260L/ABX	4JE-15Y	192,880	169,100	147,520	127,620	109,420	92,760	77,700	63,840	51,100
BCD0300L/ABX	4HE-18Y	227,140	199,900	174,860	152,040	131,040	111,860	94,320	78,220	63,360
BCD0400L/ABX	4GE-23Y	263,580	232,880	204,860	178,880	155,160	133,380	113,440	95,040	77,960
BCD0440L/ABX	6JE-25Y	274,980	242,100	211,860	183,620	158,120	134,720	113,260	93,620	75,520
BCD0500L/ABX	6HE-28Y	320,960	283,240	249,000	216,700	187,220	160,360	135,620	112,780	91,520
BCD0600L/ABX	6GE-34Y	374,680	334,580	297,120	262,080	228,900	198,080	169,820	143,420	-
BCD0800L/ABX	6FE-44Y	466,820	414,060	364,240	318,440	275,840	236,880	200,860	167,400	136,140

R-448A/R-449A		Capacity BTUH @ 100°F Ambient by SST								
Model	Compressor	0°F	-5°F	-10°F	-15°F	-20°F	-25°F	-30°F	-35°F	-40°F
BCD0260L/ABX	4JE-15Y	184,200	161,200	140,400	121,180	103,620	87,520	72,980	59,620	47,360
BCD0300L/ABX	4HE-18Y	217,180	190,920	166,980	144,840	124,580	106,100	89,180	73,680	-
BCD0400L/ABX	4GE-23Y	252,320	223,100	195,880	170,900	148,140	127,160	108,000	90,300	-
BCD0440L/ABX	6JE-25Y	262,460	230,720	201,220	174,160	149,620	127,040	106,360	87,440	-
BCD0500L/ABX	6HE-28Y	305,820	270,100	237,100	206,260	177,540	151,660	127,820	105,800	-
BCD0600L/ABX	6GE-34Y	357,920	319,860	283,920	250,260	218,120	188,660	161,460	135,940	-
BCD0800L/ABX	6FE-44Y	446,860	396,100	348,240	303,900	262,760	225,100	190,180	157,700	-

R-448A/R-449A		Capacity BTUH @ 110°F Ambient by SST								
Model	Compressor	0°F	-5°F	-10°F	-15°F	-20°F	-25°F	-30°F	-35°F	-40°F
BCD0260L/ABX	4JE-15Y	166,920	145,780	126,280	108,400	91,980	77,140	63,620	51,320	-
BCD0300L/ABX	4HE-18Y	197,440	173,100	150,980	130,500	111,760	94,660	79,020	64,700	-
BCD0400L/ABX	4GE-23Y	229,920	203,060	178,040	155,220	134,160	114,900	97,180	80,980	-
BCD0440L/ABX	6JE-25Y	237,520	208,280	181,080	155,800	132,840	111,740	92,680	-	-
BCD0500L/ABX	6HE-28Y	276,720	244,220	213,280	184,560	158,420	134,300	112,220	-	-
BCD0600L/ABX	6GE-34Y	-	-	257,060	226,180	196,880	-	-	-	-
BCD0800L/ABX	6FE-44Y	407,300	359,940	316,000	274,560	236,640	201,280	168,620	-	-

### Notes:

Head Fan Required For All Operating Conditions

Maximum Suction Gas Superheat <=35F

^ C = 208-230/3/60, D = 460/3/60, K=230/3/60

A0400 Option code at the end of the model # is IntelliGen™/ Beacon II™

A1500 Option code at the end of the model # is Parallel Piped

# PERFORMANCE DATA – R-407A/R-407F

## Low Temperature Models - Dual Bitzer Compressors

Please consult AWEF table on page 36 to confirm DOE compliance per model

R-407A/R-407F		Capacity BTUH @ 90°F Ambient by SST								
Model	Compressor	0°F	-5°F	-10°F	-15°F	-20°F	-25°F	-30°F	-35°F	-40°F
BCD0260L/ABX	4JE-15Y	196,120	171,160	148,360	127,040	107,340	89,120	72,400	56,880	42,460
BCD0300L/ABX	4HE-18Y	232,720	203,860	177,180	152,640	129,740	108,600	89,020	70,880	53,940
BCD0400L/ABX	4GE-23Y	273,280	240,540	210,520	182,300	156,360	132,220	109,860	88,980	69,380
BCD0440L/ABX	6JE-25Y	278,760	244,640	212,520	182,640	155,060	129,240	105,160	82,780	61,820
BCD0500L/ABX	6HE-28Y	331,440	292,000	255,300	220,420	187,740	157,840	129,900	103,620	79,080
BCD0600L/ABX	6GE-34Y	371,580	327,900	287,500	249,560	213,480	179,580	148,520	119,080	91,240
BCD0800L/ABX	6FE-44Y	472,820	416,680	363,420	314,140	268,640	226,220	186,980	150,320	115,820

R-407A/R-407F		Capacity BTUH @ 95°F Ambient by SST								
Model	Compressor	0°F	-5°F	-10°F	-15°F	-20°F	-25°F	-30°F	-35°F	-40°F
BCD0260L/ABX	4JE-15Y	186,700	162,840	140,680	120,160	101,220	83,700	67,700	52,840	39,080
BCD0300L/ABX	4HE-18Y	222,040	194,260	168,700	144,860	122,840	102,520	83,760	66,360	50,220
BCD0400L/ABX	4GE-23Y	261,520	230,020	200,940	173,800	148,860	125,620	104,160	84,160	65,400
BCD0440L/ABX	6JE-25Y	265,160	232,700	201,560	172,540	146,100	121,140	98,220	76,820	56,920
BCD0500L/ABX	6HE-28Y	315,920	277,980	242,520	208,880	177,820	148,960	122,160	96,980	73,520
BCD0600L/ABX	6GE-34Y	353,280	312,160	273,300	236,680	201,940	169,780	139,780	111,620	85,020
BCD0800L/ABX	6FE-44Y	451,600	397,460	346,060	298,740	254,920	214,220	176,580	141,440	108,520

R-407A/R-407F		Capacity BTUH @ 100°F Ambient by SST								
Model	Compressor	0°F	-5°F	-10°F	-15°F	-20°F	-25°F	-30°F	-35°F	-40°F
BCD0260L/ABX	4JE-15Y	177,380	154,400	133,100	113,340	95,160	78,360	63,040	48,900	35,760
BCD0300L/ABX	4HE-18Y	211,700	184,720	160,140	137,200	116,040	96,560	78,560	61,940	46,540
BCD0400L/ABX	4GE-23Y	249,820	219,560	191,540	165,420	141,440	119,120	98,560	79,400	61,480
BCD0440L/ABX	6JE-25Y	251,720	220,360	190,780	162,920	137,280	113,360	91,400	70,980	52,040
BCD0500L/ABX	6HE-28Y	300,560	264,000	229,980	197,660	167,900	140,180	114,540	90,480	68,100
BCD0600L/ABX	6GE-34Y	336,080	296,640	259,320	224,080	190,740	159,960	131,260	104,180	78,920
BCD0800L/ABX	6FE-44Y	430,580	378,300	329,520	283,520	241,460	202,360	166,320	132,600	101,380

R-407A/R-407F		Capacity BTUH @ 110°F Ambient by SST								
Model	Compressor	0°F	-5°F	-10°F	-15°F	-20°F	-25°F	-30°F	-35°F	-40°F
BCD0260L/ABX	4JE-15Y	159,020	137,900	118,240	100,060	83,280	67,980	54,020	41,220	29,340
BCD0300L/ABX	4HE-18Y	190,760	165,960	143,360	122,220	102,780	84,840	68,480	53,360	39,440
BCD0400L/ABX	4GE-23Y	226,880	199,180	173,100	149,180	127,000	106,520	87,700	70,240	53,940
BCD0440L/ABX	6JE-25Y	225,380	196,000	168,820	143,680	120,160	98,240	78,260	59,820	42,660
BCD0500L/ABX	6HE-28Y	270,520	236,900	205,560	175,820	148,620	123,240	99,820	77,920	57,680
BCD0600L/ABX	6GE-34Y	-	266,320	232,460	199,520	169,280	140,980	114,780	90,140	67,260
BCD0800L/ABX	6FE-44Y	389,840	340,640	295,920	254,160	215,320	179,480	146,540	115,840	87,440

### Notes:

Liquid Injection via CIC is Required

Head Fan Required for All Operating Conditions

^ C = 208-230/3/60, D = 460/3/60, K=230/3/60

A0400 Option code at the end of the model # is IntelliGen™ / Beacon II™

A1500 Option code at the end of the model # is Parallel Piped

## PERFORMANCE DATA – R-407C

### Low Temperature Models - Dual Bitzer Compressors

Please consult AWEF table on page 36 to confirm DOE compliance per model

R-407C		Capacity BTUH @ 90°F Ambient by SST								
Model	Compressor	0°F	-5°F	-10°F	-15°F	-20°F	-25°F	-30°F	-35°F	-40°F
BCD0260L/ABX	4JE-15Y	170,300	147,240	125,960	-	-	-	-	-	-
BCD0300L/ABX	4HE-18Y	202,980	176,280	151,660	-	-	-	-	-	-
BCD0400L/ABX	4GE-23Y	232,640	202,120	174,320	-	-	-	-	-	-
BCD0440L/ABX	6JE-25Y	243,960	211,960	181,560	-	-	-	-	-	-
BCD0500L/ABX	6HE-28Y	291,400	253,680	218,580	-	-	-	-	-	-
BCD0600L/ABX	6GE-34Y	329,860	287,420	248,540	-	-	-	-	-	-
BCD0800L/ABX	6FE-44Y	419,240	364,940	315,300	-	-	-	-	-	-

R-407C		Capacity BTUH @ 95°F Ambient by SST								
Model	Compressor	0°F	-5°F	-10°F	-15°F	-20°F	-25°F	-30°F	-35°F	-40°F
BCD0260L/ABX	4JE-15Y	162,380	140,080	119,440	-	-	-	-	-	-
BCD0300L/ABX	4HE-18Y	194,020	168,200	144,180	-	-	-	-	-	-
BCD0400L/ABX	4GE-23Y	222,420	192,840	165,960	-	-	-	-	-	-
BCD0440L/ABX	6JE-25Y	232,380	201,320	172,200	-	-	-	-	-	-
BCD0500L/ABX	6HE-28Y	277,900	241,600	207,860	-	-	-	-	-	-
BCD0600L/ABX	6GE-34Y	315,000	273,700	236,280	-	-	-	-	-	-
BCD0800L/ABX	6FE-44Y	401,160	348,820	300,500	-	-	-	-	-	-

R-407C		Capacity BTUH @ 100°F Ambient by SST								
Model	Compressor	0°F	-5°F	-10°F	-15°F	-20°F	-25°F	-30°F	-35°F	-40°F
BCD0260L/ABX	4JE-15Y	154,520	132,760	112,940	-	-	-	-	-	-
BCD0300L/ABX	4HE-18Y	185,280	160,120	136,840	-	-	-	-	-	-
BCD0400L/ABX	4GE-23Y	212,520	183,860	157,640	-	-	-	-	-	-
BCD0440L/ABX	6JE-25Y	220,880	190,500	162,760	-	-	-	-	-	-
BCD0500L/ABX	6HE-28Y	264,820	229,700	197,060	-	-	-	-	-	-
BCD0600L/ABX	6GE-34Y	299,720	260,260	224,100	-	-	-	-	-	-
BCD0800L/ABX	6FE-44Y	383,100	332,660	285,760	-	-	-	-	-	-

R-407C		Capacity BTUH @ 110°F Ambient by SST								
Model	Compressor	0°F	-5°F	-10°F	-15°F	-20°F	-25°F	-30°F	-35°F	-40°F
BCD0260L/ABX	4JE-15Y	138,900	118,580	100,120	-	-	-	-	-	-
BCD0300L/ABX	4HE-18Y	167,560	144,080	-	-	-	-	-	-	-
BCD0400L/ABX	4GE-23Y	-	-	-	-	-	-	-	-	-
BCD0440L/ABX	6JE-25Y	-	-	-	-	-	-	-	-	-
BCD0500L/ABX	6HE-28Y	-	-	-	-	-	-	-	-	-
BCD0600L/ABX	6GE-34Y	-	-	-	-	-	-	-	-	-
BCD0800L/ABX	6FE-44Y	-	-	-	-	-	-	-	-	-

#### Notes:

Head Fan Required

^ C = 208-230/3/60, D = 460/3/60, K=230/3/60

A0400 Option code at the end of the model # is IntelliGen™ / Beacon II™

A1500 Option code at the end of the model # is Parallel Piped

# UNIT SPECIFICATIONS

## Medium & Low Temperature Models

Please consult AWEF table on page 36 to confirm DOE compliance per model

Model	Compressor	Refrigerant Line Connections (OD)				Rec. Capacity @90% full (lbs)			Condenser Fan Data		Dimensions (In.)			Net Wt.
		Standard (2 Each)		Parallel Piped		Standard (2 Each)	Opt. (2 Each)	Parallel Piped	No. Fans	Dia.	Length	Width	Height	(lbs.)
		Liquid	Suction	Liquid	Suction									
BCD0260L <sup>^</sup> ABX	4JE-15Y	1-1/8	2-1/8	1-3/8	3-1/8	123	81	269	4	30"	170.7	91.5	53.9	3,710
BCD0300L <sup>^</sup> ABX	4HE-18Y	1-1/8	2-1/8	1-3/8	3-1/8	123	81	269	4	30"	170.7	91.5	53.9	3,730
BCD0400L <sup>^</sup> ABX	4GE-23Y	1-1/8	2-1/8	1-3/8	3-1/8	123	81	269	4	30"	170.7	91.5	53.9	3,770
BCD0440L <sup>^</sup> ABX	6JE-25Y	1-1/8	2-1/8	1-3/8	3-1/8	123	81	269	4	30"	170.7	91.5	53.9	3,860
BCD0500L <sup>^</sup> ABX	6HE-28Y	1-1/8	2-1/8	1-3/8	3-1/8	123	81	269	4	30"	170.7	91.5	53.9	3,910
BCD0600L <sup>^</sup> ABX	6GE-34Y	1-1/8	2-1/8	1-3/8	3-1/8	123	81	269	4	30"	170.7	91.5	53.9	3,930
BCD0800L <sup>^</sup> ABX	6FE-44Y	1-1/8	2-1/8	1-3/8	3-1/8	188	81	363	6	30"	225.7	91.5	53.9	4,790
BCD0300M <sup>^</sup> ABX	4PES-15Y	1-1/8	1-5/8	1-3/8	2-5/8	123	81	188	4	30"	170.7	91.5	53.9	3,430
BCD0400M <sup>^</sup> ABX	4NES-20Y	1-1/8	2-1/8	1-3/8	2-5/8	123	81	188	4	30"	170.7	91.5	53.9	3,530
BCD0440M <sup>^</sup> ABX	4JE-22Y	1-1/8	2-1/8	1-3/8	2-5/8	123	81	269	4	30"	170.7	91.5	53.9	3,710
BCD0500M <sup>^</sup> ABX	4HE-25Y	1-1/8	2-1/8	1-3/8	2-5/8	123	81	269	4	30"	170.7	91.5	53.9	3,770
BCD0600M <sup>^</sup> ABX	4GE-30Y	1-1/8	2-1/8	1-5/8	3-1/8	188	123	269	6	30"	225.7	91.5	53.9	4,630
BCD0660M <sup>^</sup> ABX	6JE-33Y	1-1/8	2-1/8	1-5/8	3-1/8	188	123	269	6	30"	225.7	91.5	53.9	4,740
BCD0700M <sup>^</sup> ABX	6HE-35Y	1-1/8	2-1/8	1-5/8	3-1/8	188	123	363	6	30"	225.7	91.5	53.9	4,760
BCD0800M <sup>^</sup> ABX	6GE-40Y	1-1/8	2-1/8	1-5/8	3-1/8	188	123	363	8	30"	280.0	91.5	54.9	5,460
BCD1100M <sup>^</sup> ABX	6FE-50Y	1-1/8	2-5/8	1-5/8	3-1/8	188	123	363	8	30"	280.0	91.5	54.9	5,480

**Notes:**

<sup>^</sup> C = 208-230/3/60, D = 460/3/60

A0400 Option code at the end of the model # is IntelliGen™/ Beacon II™

A1500 Option code at the end of the model # is Parallel Piped



# ELECTRICAL DATA

## Medium Temperature Models - Dual Bitzer Compressor/208-230V

Please consult AWEF table on page 36 to confirm DOE compliance per model

Model	CMPR	Condensing Unit						Remote Loads							
		Compressor		Condenser		Air Defrost		2 Contactors <sup>†</sup>				1 Contactor <sup>†</sup>			
		RLA (Each)	LRA (Each)	No. Fans	FLA (Total)	MCA	MOPD	Evap. Fan Amps	Defrost Htrs. Amps	Electric Defrost		Evap. Fan Amps	Defrost Htrs. Amps	Electric Defrost	
										MCA	MOPD			MCA	MOPD
BCD0300MAABX	4PES-15Y	48.7	294	4	14	123.6	150	25	96	240.0	250.0	25	96	240.0	250.0
BCD0400MAABX	4NES-20Y	57.7	352	4	14	143.8	200	25	96	240.0	250.0	25	96	240.0	250.0
BCD0440MAABX	4JE-22Y	61.5	352	4	14	152.5	200	25	108	270.0	300.0	20	96	240.0	250.0
BCD0500MAABX	4HE-25Y	75.6	436	4	14	184.2	250	30	136.4	341.0	350.0	-	-	-	-
BCD0600MAABX	4GE-30Y	89.7	490	6	21	222.9	300	-	-	-	-	-	-	-	-
BCD0660MAABX	6JE-33Y	100.0	550	6	21	246.0	300	-	-	-	-	-	-	-	-
BCD0700MAABX	6HE-35Y	105.1	550	6	21	257.5	350	-	-	-	-	-	-	-	-
BCD0800MAABX	6GE-40Y	141.0	700	8	28	345.3	450	-	-	-	-	-	-	-	-
BCD01100MAABX	6FE-50Y	143.6	950	8	28	351.1	450	-	-	-	-	-	-	-	-

Notes:  
 ^ C = 208-230/3/60

# ELECTRICAL DATA

## Medium Temperature Models - Dual Bitzer Compressor/460V

Please consult AWEF table on page 36 to confirm DOE compliance per model

Model	CMPR	Condensing Unit						Remote Loads							
		Compressor		Condenser		Air Defrost		2 Contactors <sup>†</sup>				1 Contactor <sup>†</sup>			
		RLA (Each)	LRA (Each)	No. Fans	FLA (Total)	MCA	MOPD	Evap. Fan Amps	Defrost Htrs. Amps	Electric Defrost		Evap. Fan Amps	Defrost Htrs. Amps	Electric Defrost	
										MCA	MOPD			MCA	MOPD
BCD0300MAABX	4PES-15Y	24.4	147	4	6.8	61.6	80	15	56.8	142.0	150.0	15	48	120.0	125.0
BCD0400MAABX	4NES-20Y	28.8	176	4	6.8	71.7	100	15	56.8	142.0	150.0	15	48	120.0	125.0
BCD0440MAABX	4JE-22Y	30.8	176	4	6.8	76.0	100	15	56.8	142.0	150.0	15	48	120.0	125.0
BCD0500MAABX	4HE-25Y	37.8	218	4	6.8	91.9	125	20	67	167.5	175.0	15	68.2	170.5	175.0
BCD0600MAABX	4GE-30Y	44.9	245	6	10.2	111.2	150	20	77	192.5	200.0	20	77	192.5	200.0
BCD0660MAABX	6JE-33Y	50.0	275	6	10.2	122.7	150	20	77	192.5	200.0	20	77	192.5	200.0
BCD0700MAABX	6HE-35Y	52.6	275	6	10.2	128.5	175	20	84	210.0	225.0	20	84	210.0	225.0
BCD0800MAABX	6GE-40Y	70.5	350	8	13.6	172.3	225	20	96	240.0	250.0	20	96	240.0	250.0
BCD01100MAABX	6FE-50Y	71.8	425	8	13.6	175.1	225	20	96	240.0	250.0	20	96	240.0	250.0

Notes:  
 ^ D = 460/3/60  
 A0400 Option code at the end of the model # is IntelliGen™/ Beacon II™  
 MCA = Minimum Circuit Ampacity  
 MOP = Maximum Overcurrent Protection  
 Ratings shown at 60Hz. Consult factory for 50Hz applications  
 IntelliGen™/ Beacon II™ and Air Defrost Units do not carry any of the evaporator fan or heater loads.  
 Power is supplied directly to the evaporators and does not go through the condensing unit. An evaporator heater hold out relay (option) is recommended when two or more evaporators are connected to a single (BCD) condensing unit to allow termination on coils that have already defrosted to prevent unnecessary steaming. This option is not needed on A0400 IntelliGen™/ Beacon II™ systems wired for a Master / Slave operation. Power is supplied to each IntelliGen™/ Beacon II™ evaporator. volt electrical specification.  
 Each coil terminates its own defrost. Refrigeration will not start until all coils have terminated defrost.



# ELECTRICAL DATA

## Low Temperature Models - Dual Bitzer Compressor/208-230V

Please consult AWEF table on page 36 to confirm DOE compliance per model

Model	CMPR	Condensing Unit						Remote Loads							
		Compressor		Condenser		Air Defrost		2 Contactors†				1 Contactor†			
		RLA (Each)	LRA (Each)	No. Fans	FLA (Total)	MCA	MOPD	Evap. Fan Amps	Defrost Htrs. Amps	Electric Defrost		Evap. Fan Amps	Defrost Htrs. Amps	Electric Defrost	
										MCA	MOPD			MCA	MOPD
BCD0260L\ABX	4JE-15Y	50.0	352	4	14	126.5	175	22	64	170.5	200.0	15	48	156.5	200.0
BCD0300L\ABX	4HE-18Y	54.1	352	4	14	135.7	175	25	83	207.5	225.0	15	48	165.7	200.0
BCD0400L\ABX	4GE-23Y	57.7	352	4	14	143.8	200	25	105	262.5	300.0	15	48	173.5	225.0
BCD0440L\ABX	6JE-25Y	71.0	490	4	14	173.8	225	25	105	262.5	300.0	15	48	203.8	250.0
BCD0500L\ABX	6HE-28Y	77.6	490	4	14	188.5	250	25	106	265.0	300.0	20	96	240.0	300.0
BCD0600L\ABX	6GE-34Y	84.6	490	4	14	204.4	250	30	159.1	397.8	400.0	20	96	244.4	300.0
BCD0800L\ABX	6FE-44Y	97.4	700	6	21	240.2	300	30	159.1	397.8	400.0	20	96	280.2	350.0

Notes:  
 † C = 208-230/3/60

# ELECTRICAL DATA

## Low Temperature Models - Dual Bitzer Compressor/460V

Please consult AWEF table on page 36 to confirm DOE compliance per model

Model	CMPR	Condensing Unit						Remote Loads							
		Compressor		Condenser		Air Defrost		2 Contactors†				1 Contactor†			
		RLA (Each)	LRA (Each)	No. Fans	FLA (Total)	MCA	MOPD	Evap. Fan Amps	Defrost Htrs. Amps	Electric Defrost		Evap. Fan Amps	Defrost Htrs. Amps	Electric Defrost	
										MCA	MOPD			MCA	MOPD
BCD0260L\ABX	4JE-15Y	25.0	176	4	6.8	63.1	80	15	38	95.0	110.0	10	24	83.1	100.0
BCD0300L\ABX	4HE-18Y	27.1	176	4	6.8	67.7	90	15	48	120.0	125.0	15	40	100.0	110.0
BCD0400L\ABX	4GE-23Y	28.8	176	4	6.8	71.7	100	15	56.8	142.0	150.0	15	48	120.0	125.0
BCD0440L\ABX	6JE-25Y	35.5	245	4	6.8	86.7	110	15	56.8	142.0	150.0	15	48	120.0	150.0
BCD0500L\ABX	6HE-28Y	38.8	245	4	6.8	94.1	125	15	64	160.0	175.0	15	48	124.1	150.0
BCD0600L\ABX	6GE-34Y	42.3	245	4	6.8	102.0	125	20	76	190.0	200.0	15	48	132.0	150.0
BCD0800L\ABX	6FE-44Y	48.7	350	6	10.2	119.8	150	20	76	190.0	200.0	15	48	149.8	175.0

Notes:  
 † D = 460/3/60  
 A0400 Option code at the end of the model # is IntelliGen™ / Beacon II™  
 MCA = Minimum Circuit Ampacity  
 MOP = Maximum Overcurrent Protection  
 Ratings shown at 60Hz. Consult factory for 50Hz applications  
 IntelliGen™ / Beacon II™ and Air Defrost Units do not carry any of the evaporator fan or heater loads.  
 Power is supplied directly to the evaporators and does not go through the condensing unit.  
 An evaporator heater hold out relay (option) is recommended when two or more evaporators are connected to a single (BCD) condensing unit to allow termination on coils that have already defrosted to prevent unnecessary steaming. This option is not needed on A0400 IntelliGen™ / Beacon II™ systems wired for a Master / Slave operation.  
 Power is supplied to each IntelliGen™ / Beacon II™ evaporator. volt electrical specification.  
 Each coil terminates its own defrost. Refrigeration will not start until all coils have terminated defrost.

## AWEF DATA – MEDIUM TEMPERATURE

### Dual Bitzer Compressor Models - Outdoor Parallel Piped

Non-parallel piped dual compressor models are out of scope for DOE 2020 compliance

If model has a numerical value in the table below, the following statement applies:

This refrigeration system is designed and certified for use in walk-in cooler applications

Model	Outdoor					
	R-404A/ R-507A	R-448A	R-449A	R-407A	R-407C	R-407F
BCD0300M\ABXA1500	7.60	7.60	7.60	7.60	7.60	7.60
BCD0400M\ABXA1500	7.60	7.60	7.60	7.60	7.60	7.60
BCD0440M\ABXA1500	7.60	7.60	7.60	7.60	7.60	7.60
BCD0500M\ABXA1500	7.60	7.60	7.60	7.60	7.60	7.60
BCD0600M\ABXA1500	7.60	7.60	7.60	7.60	7.60	7.60
BCD0660M\ABXA1500	7.60	7.60	7.60	7.60	7.60	7.60
BCD0700M\ABXA1500	7.60	7.60	7.60	7.60	7.60	7.60
BCD0800M\ABXA1500	7.60	7.60	7.60	7.60	7.60	7.60
BCD1100M\ABXA1500	7.60	7.60	7.60	7.60	7.60	7.60

#### Notes:

^ C = 208-230/3/60, D = 460/3/60

X = model not suitable for this refrigerant

— = model is not DOE AWEF compliant

## AWEF DATA – LOW TEMPERATURE

### Dual Bitzer Compressor Models- Outdoor Parallel Piped

Non-parallel piped dual compressor models are out of scope for DOE 2020 compliance

If model has a numerical value in the table below, the following statement applies:

This refrigeration system is designed and certified for use in walk-in freezer applications

Model	Outdoor					
	R-404A/ R-507A	R-448A	R-449A	R-407A	R-407C	R-407F
BCD0260L\ABXA1500	-	-	-	-	X	3.15
BCD0300L\ABXA1500	-	-	-	-	X	-
BCD0400L\ABXA1500	-	-	-	-	X	-
BCD0440L\ABXA1500	-	-	-	-	X	-
BCD0500L\ABXA1500	-	-	-	-	X	-
BCD0600L\ABXA1500	-	-	-	-	X	-
BCD0800L\ABXA1500	-	-	-	-	X	-

#### Notes:

^ C = 208-230/3/60, D = 460/3/60, E = 575/3/60

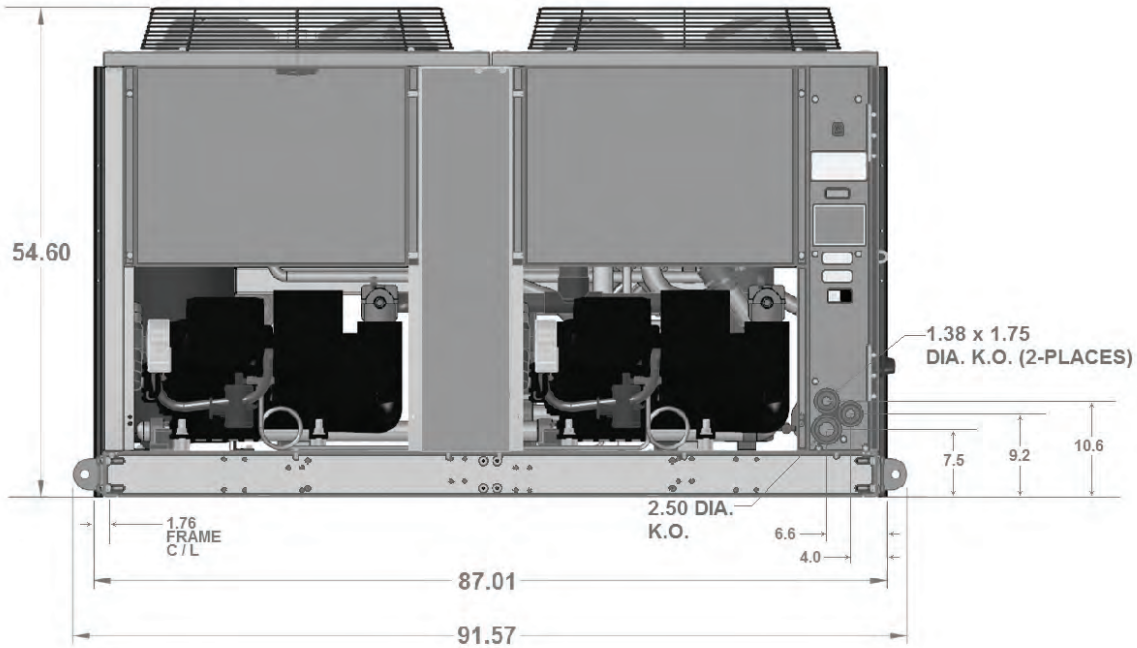
X = model not suitable for this refrigerant

— = model is not DOE AWEF compliant

# DIMENSIONAL DRAWINGS

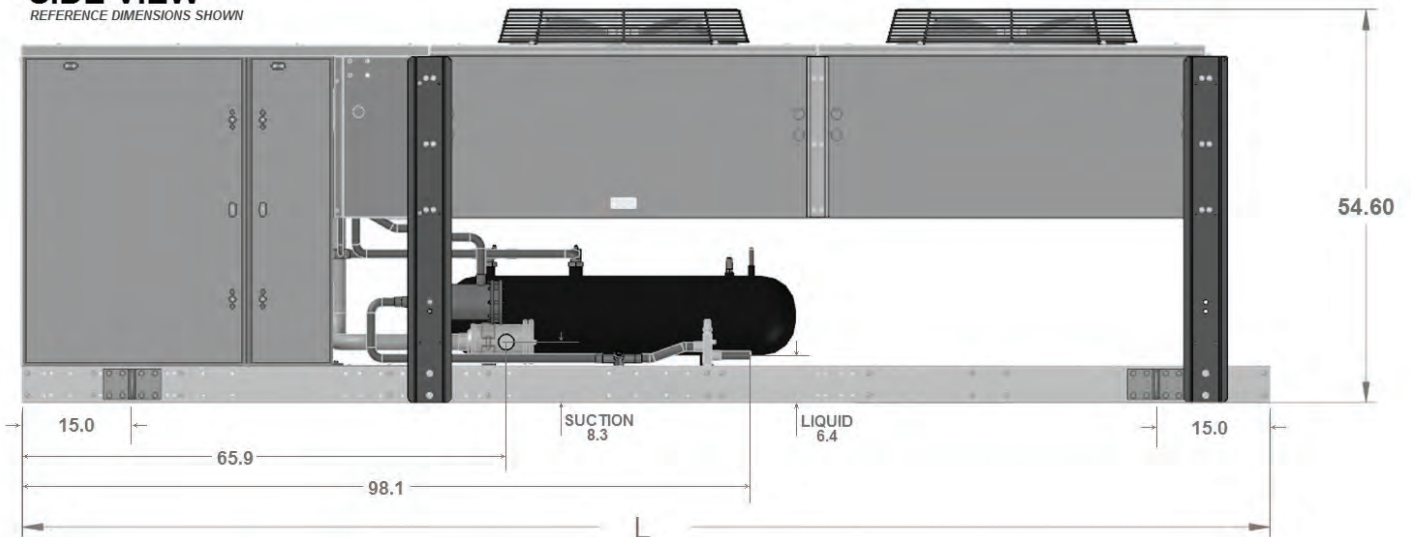
## END VIEW

REFERENCE DIMENSIONS SHOWN



## SIDE VIEW

REFERENCE DIMENSIONS SHOWN



Unit length L can be found in unit specification tables on page 33







2175 West Park Place Blvd.

Stone Mountain, GA 30087

Phone: 800.537.7775 · Fax: 770.465.5900

[heatcraftspd.com](http://heatcraftspd.com)

Since product improvement is a continuing effort, we reserve the right to make changes in specifications without notice.

**BN-DVCU-0422 | Version 006**

©2022 Heatcraft Refrigeration Products LLC