

## 3-22 HP AIR-COOLED CONDENSING UNITS

---

Technical Guide  
Now including DOE compliant models



# TABLE OF CONTENTS



<b>3</b>	<b>Features &amp; Benefits</b>
<b>4</b>	<b>Nomenclature</b>
<b>4</b>	<b>Preferred Option Packages &amp; Standard Features</b>
<b>5</b>	<b>Electrical &amp; Mechanical Options</b>
<b>6</b>	<b>Scroll Compressor Models</b>
<b>6</b>	<b>Performance Data</b>
6	Medium Temperature (R-404A/R-507A)
7	Medium Temperature (R-448A/R-449A)
8	Medium Temperature (R-407A/R-407F)
9	Medium Temperature (R-407C)
10	Low Temperature (R-404A/R-507A)
11	Low Temperature (R-448A/R-449A)
12	Low Temperature (R-407A/R-407F)
13	Low Temperature (R-407C)
<b>14</b>	<b>Unit Specifications</b>
<b>15</b>	<b>Electrical Data</b>
15	Medium Temperature Scroll Models
16	Low Temperature Scroll Models
<b>17</b>	<b>AWEF Medium Temperature Data</b>
17	Medium Temperature Scroll Models
<b>18</b>	<b>AWEF Low Temperature Data</b>
18	Low Temperature Scroll Models
<b>19</b>	<b>Discus™ Compressor Models</b>
<b>19</b>	<b>Performance Data</b>
19-20	Medium Temperature (R-404A/R-507A)
21-22	Medium Temperature (R-448A/R-449A)
23-24	Medium Temperature (R-407A/R-407F)
25-26	Medium Temperature (R-407C)
27-28	Low Temperature (R-404A/R-507A)
29-30	Low Temperature (R-448A/R-449A)
31-32	Low Temperature (R-407A/R-407F)
33-34	Low Temperature (R-407C)
<b>35</b>	<b>Unit Specifications</b>
<b>36</b>	<b>Electrical Data</b>
36	Medium Temperature Discus Models
37	Low Temperature Discus Models
38	AWEF Medium Temperature Data
39	AWEF Low Temperature Data
<b>40</b>	<b>Semi-Hermetic Compressor Models</b>
<b>40</b>	<b>Performance Data</b>
40	Medium Temperature (R-404A/R-507A)
41	Medium Temperature (R-448A/R-449A)
42	Medium Temperature (R-407A/R-407F)
43	Medium Temperature (R-407C)
44-45	Low Temperature (R-404A/R-507A)
46-47	Low Temperature (R-448A/R-449A)
48-49	Low Temperature (R-407A/R-407F)
50-51	Low Temperature (R-407C)
<b>52</b>	<b>Unit Specifications</b>
<b>53</b>	<b>Electrical Data</b>
53	Medium and Low Temperature Semi-Hermetic Models
<b>54</b>	<b>AWEF Medium Temperature Data</b>
<b>55</b>	<b>AWEF Low Temperature Data</b>
<b>56</b>	<b>Replacement Parts</b>
<b>57</b>	<b>Dimensional Diagrams</b>

# FEATURES & BENEFITS

## BETTER PERFORMANCE

- Enhanced grill design gives 25% to 40% increase in free-air area
- Electrical box located out of air stream
- Vertical receiver needs less refrigerant for liquid seal

## FASTER ACCESS

- Base valve and high & low pressure taps on outside of unit
- Removable grill for access to all serviceable parts
- Improved access to fan motors & components
- Lighter, one-piece top
- Easy-to-view sight glass location

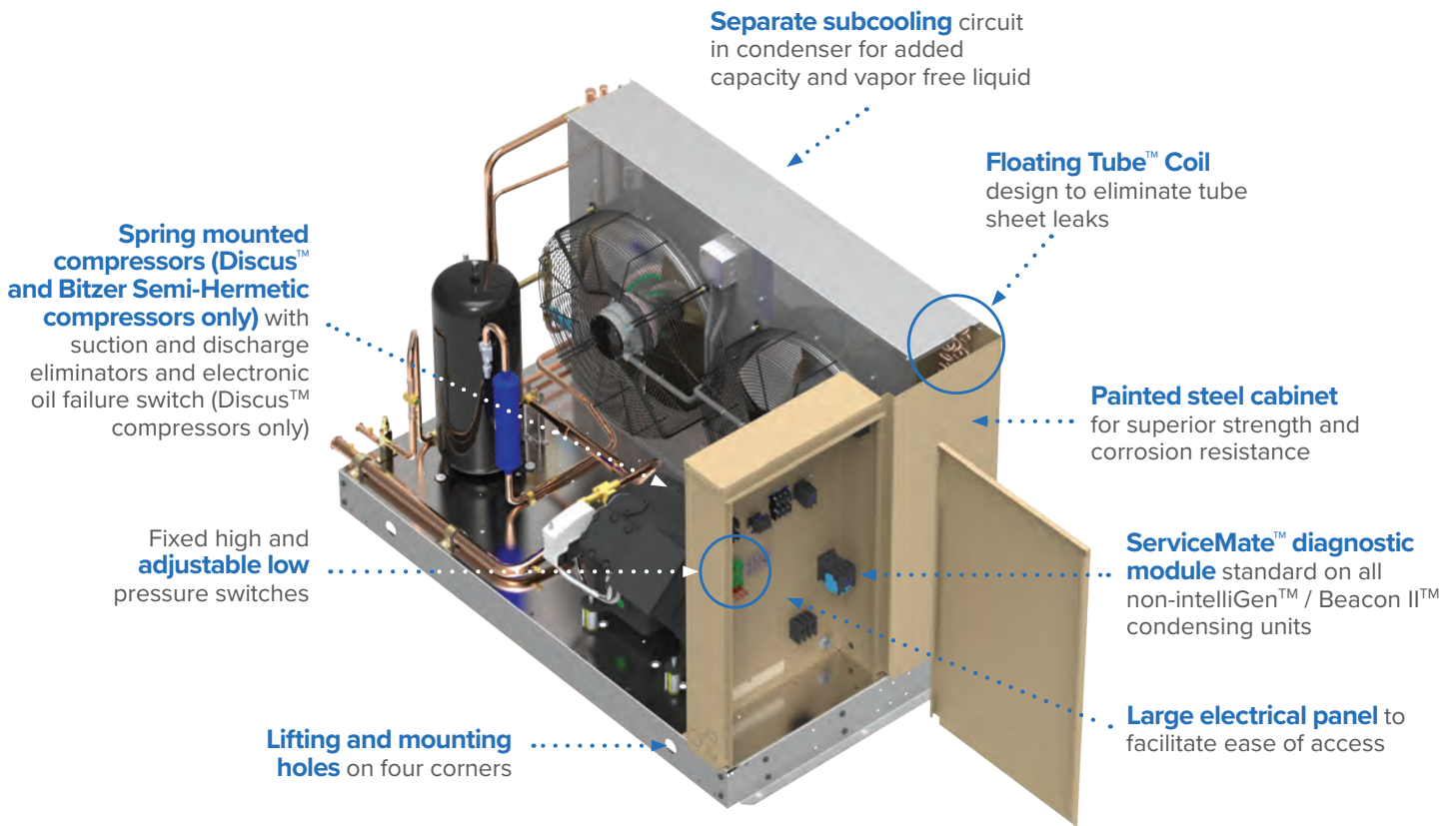
## EASIER SERVICE

- Better access to components for easier repair
- Compact design allows for better jobsite placement & installation
- Dual isolation valves on receiver

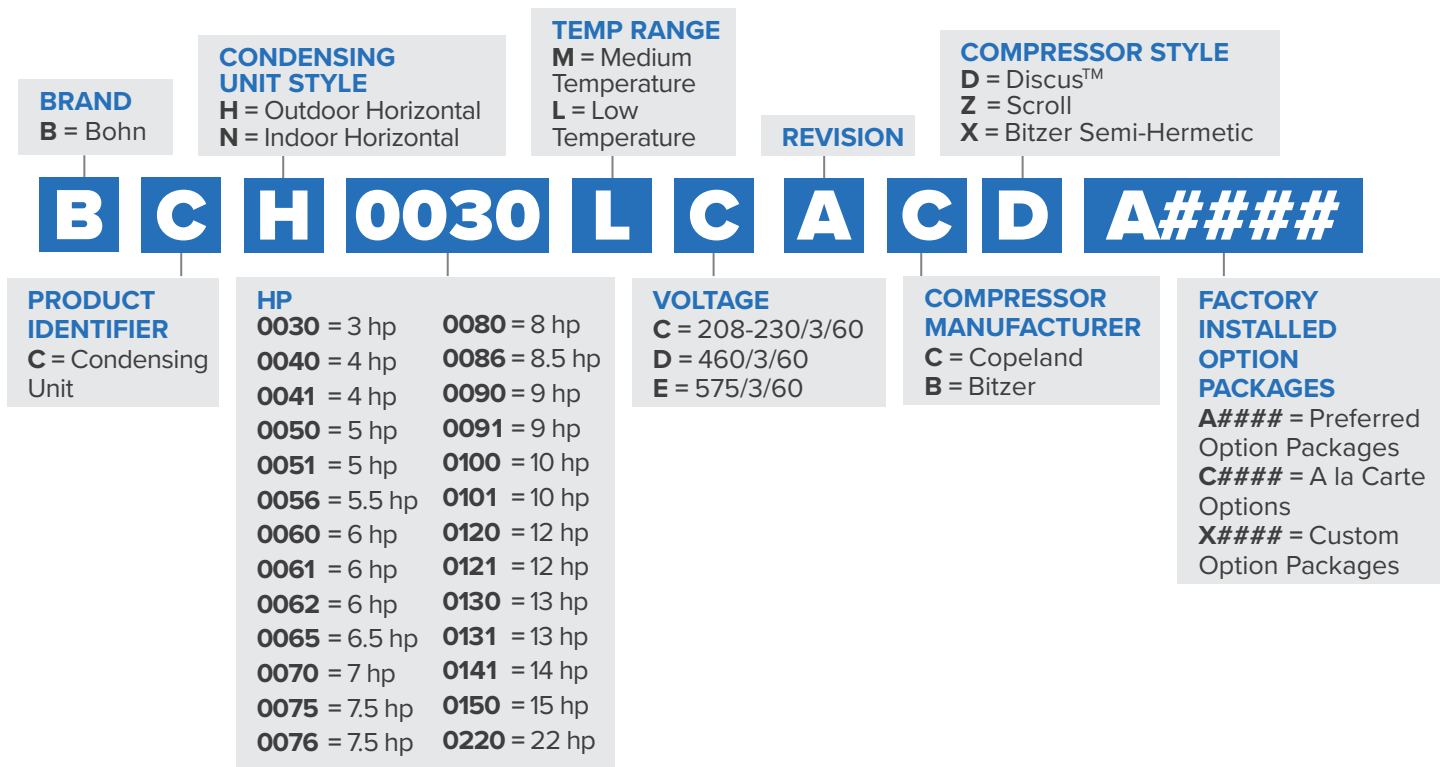
## GREATER RELIABILITY

- Floating Tube™ coil design eliminates tube-sheet leaks
- Pre-bent tubing reduces mechanical joints
- State-of-the-art factory leak-detection ensures highest quality

## OUTSTANDING FEATURES



# NOMENCLATURE



# FACTORY INSTALLED: PREFERRED OPTION PACKAGES

Please see Price Book or The HUB for availability

Option Code	Description (All Preferred Options include Standard Base +)
A0100	Defrost Timer – Air
A0300	Defrost Timer - Contactor
A0302	Defrost Timer - Contactor Low Amps
A0303	Defrost Timer - Contactor High Amps
A0400	intelliGen™ / Beacon II
A1002	Replaceable Core Filter-Accumulator + Liquid Standard + Replaceable Core Filter Drier

# STANDARD FEATURES

- ServiceMate™ Diagnostic Module
- Manual Pump Down Switch
- Electronic Oil Failure Switch (Discus™ Compressors Only)
- Fixed Head Pressure Control Valve (C4 & C5 cabinets only)
  - Low temp - Revision A 100 psi
  - Med. temp - Revision A 145 psi
  - Low temp - Revision B 145 psi
- Adjustable Head Pressure Control Valve (C6 cabinet only)
- Spring Mounted Compressors with Suction and Discharge Vibration Eliminators (Discus™ and Bitzer Compressors only)
- Crank Case Heater
- Adjustable Low Pressure Control
- Fixed High Pressure Control
- Liquid Line Sight Glass
- Permanent Liquid Line Filter
- Outdoor Painted Cabinet
- Floating Tube™ Design

## ELECTRICAL OPTIONS

Smart Defrost Kit™ (SDK)

Crankcase Heater on Indoor Units

Fan cycling

Defrost Timer for Air Defrost

Defrost Timer and Contactor for Electric Defrost (C6 cabinet includes evaporator sub fusing as standard in kit)

intelliGen™/Beacon II™ Kits (see intelliGen™/Beacon II™ section for details)

Electric Defrost Fusing (includes evaporator fan fusing on C4 and C5 cabinets)

Dual-Pressure Control\*

Adjustable High Pressure Control with Manual Reset\*

Phase-Loss Monitor\*

Compressor Fusing\*

Circuit Breaker Circuit Protection for Compressor, Condenser Fan and Control Circuit\*

## MECHANICAL OPTIONS

Adjustable Head Pressure Valve

Head Pressure Valve on Indoor Units

Mounted Liquid Line Solenoid Valve

Replaceable Core Liquid Line Filter/Drier

Permanent Suction Line Filter

Replaceable Core Suction Line Filter

Suction Accumulator

Oil Separator

Bohnguard™ Fin Protection

Copper Finned Coil

Oversized Receiver

Slanted Louver for Snowbelt Regions (not available with indoor unit)

12" Extended Legs for Snowbelt Regions

Hail Guards

Standard receiver with low ambient kit (heated/insulated receiver & low pressure bypass time delay relay)

NEMA contactors\*

Compressor Unloading (one step)\*

\* Available on C6 cabinet only

## PERFORMANCE DATA – R-404A/R-507A

### Medium Temperature Models - Scroll Compressors

Please consult AWEF table on page 17 to confirm DOE compliance per model

R-404A/R-507A		Capacity BTUH @ 90°F Ambient by SST									
Model	Compressor	+40°F	+35°F	+30°F	+25°F	+20°F	+15°F	+10°F	+5°F	+0°F	-10°F
BC*0065M@ACZ	ZB48KCE	77,170	71,490	66,240	61,130	56,270	51,710	47,250	43,000	39,010	31,710
BC*0070M@ACZ	ZB58K5E	97,540	90,190	83,040	76,350	69,890	63,750	57,930	52,330	46,990	36,810
BC*0075M@ACZ	ZB66K5E	110,080	102,060	94,260	86,900	79,720	72,820	66,510	60,360	54,570	43,810
BC*0086M@ACZ	ZB76K5E	123,580	114,420	105,850	97,690	89,890	82,600	75,480	68,760	62,470	50,390
BC*0100M@ACZ	ZB95K5E	142,810	133,070	123,590	114,100	105,300	96,760	88,420	80,420	72,550	57,420
BC*0141M@ACZ	ZB114K5E	180,210	167,570	154,860	142,890	131,330	120,170	109,580	99,210	89,310	70,820

R-404A/R-507A		Capacity BTUH @ 95°F Ambient by SST									
Model	Compressor	+40°F	+35°F	+30°F	+25°F	+20°F	+15°F	+10°F	+5°F	+0°F	-10°F
BC*0065M@ACZ	ZB48KCE	73,500	68,140	63,120	58,300	53,650	49,320	45,020	41,000	37,200	30,240
BC*0070M@ACZ	ZB58K5E	93,370	86,310	79,680	73,150	66,890	60,920	55,260	49,840	44,590	34,550
BC*0075M@ACZ	ZB66K5E	105,140	97,520	90,130	83,150	76,300	69,760	63,720	57,820	52,280	41,930
BC*0086M@ACZ	ZB76K5E	118,020	109,330	101,270	93,530	86,120	79,070	72,450	66,070	60,090	48,590
BC*0100M@ACZ	ZB95K5E	135,530	126,360	117,350	108,370	100,010	91,840	83,780	76,200	68,590	53,860
BC*0141M@ACZ	ZB114K5E	171,520	159,570	147,440	136,120	125,040	114,370	104,240	94,260	84,720	66,760

R-404A/R-507A		Capacity BTUH @ 100°F Ambient by SST									
Model	Compressor	+40°F	+35°F	+30°F	+25°F	+20°F	+15°F	+10°F	+5°F	+0°F	-10°F
BC*0065M@ACZ	ZB48KCE	69,790	64,690	59,970	55,390	50,980	46,730	42,770	38,950	35,340	—
BC*0070M@ACZ	ZB58K5E	89,000	82,390	76,050	69,770	63,750	58,060	52,480	47,180	42,030	32,110
BC*0075M@ACZ	ZB66K5E	100,090	92,920	85,930	79,310	72,760	66,630	60,770	55,220	49,920	39,990
BC*0086M@ACZ	ZB76K5E	112,400	104,210	96,600	89,280	82,450	75,720	69,400	63,370	57,700	46,800
BC*0100M@ACZ	ZB95K5E	128,170	119,540	110,990	102,480	94,500	86,750	79,280	71,780	64,460	—
BC*0141M@ACZ	ZB114K5E	162,640	151,360	139,850	129,070	118,540	108,400	98,680	89,120	79,920	—

R-404A/R-507A		Capacity BTUH @ 110°F Ambient by SST									
Model	Compressor	+40°F	+35°F	+30°F	+25°F	+20°F	+15°F	+10°F	+5°F	+0°F	-10°F
BC*0065M@ACZ	ZB48KCE	—	—	—	49,390	45,400	—	—	—	—	—
BC*0070M@ACZ	ZB58K5E	80,120	74,120	68,360	62,600	56,960	51,660	46,470	41,420	36,540	—
BC*0075M@ACZ	ZB66K5E	89,850	83,480	77,480	71,350	65,490	60,140	54,830	49,820	45,020	—
BC*0086M@ACZ	ZB76K5E	—	93,780	87,090	80,680	74,590	68,740	63,160	57,900	—	—
BC*0100M@ACZ	ZB95K5E	—	—	—	—	—	76,000	69,310	—	—	—
BC*0141M@ACZ	ZB114K5E	—	—	—	—	104,980	96,090	86,990	78,240	—	—

#### Notes:

\* H = Outdoor, N = Indoor

@ C = 208-230/3/60, D = 460/3/60, E = 575/3/60

20°F Max Superheat

# PERFORMANCE DATA – R-448A/R-449A

## Medium Temperature Models - Scroll Compressors

Please consult AWEF table on page 17 to confirm DOE compliance per model

R-448A/R-449A		Capacity BTUH @ 90°F Ambient by SST									
Model	Compressor	+40°F	+35°F	+30°F	+25°F	+20°F	+15°F	+10°F	+5°F	+0°F	-10°F
BC*0065M@ACZ	ZB48KCE	78,750	72,150	65,840	59,920	54,250	48,990	44,090	39,590	35,490	28,390
BC*0070M@ACZ	ZB58K5E	96,260	87,510	79,120	71,240	63,930	57,190	51,010	45,450	40,490	32,300
BC*0075M@ACZ	ZB66K5E	108,670	99,160	89,840	81,060	72,860	65,370	58,480	52,340	46,930	38,460
BC*0086M@ACZ	ZB76K5E	122,870	112,200	102,050	92,310	83,240	74,870	67,290	60,470	54,460	44,960
BC*0100M@ACZ	ZB95K5E	146,390	133,550	121,290	109,740	99,090	88,870	79,190	69,950	60,840	43,070
BC*0141M@ACZ	ZB114K5E	184,480	167,570	151,530	136,480	122,610	109,520	97,230	85,630	74,580	53,090

R-448A/R-449A		Capacity BTUH @ 95°F Ambient by SST									
Model	Compressor	+40°F	+35°F	+30°F	+25°F	+20°F	+15°F	+10°F	+5°F	+0°F	-10°F
BC*0065M@ACZ	ZB48KCE	75,790	69,490	63,540	57,760	52,340	47,320	42,650	38,430	34,590	28,090
BC*0070M@ACZ	ZB58K5E	93,110	84,710	76,690	69,140	62,120	55,640	49,680	44,300	39,490	31,520
BC*0075M@ACZ	ZB66K5E	104,710	95,730	86,910	78,590	70,810	63,700	57,180	51,370	46,290	38,410
BC*0086M@ACZ	ZB76K5E	118,360	108,350	98,810	89,620	81,080	73,220	66,110	59,750	54,200	—
BC*0100M@ACZ	ZB95K5E	139,890	127,630	115,900	104,740	94,230	84,490	74,970	65,820	56,650	—
BC*0141M@ACZ	ZB114K5E	176,950	160,710	145,280	130,740	117,260	104,440	92,310	80,790	69,790	48,120

R-448A/R-449A		Capacity BTUH @ 100°F Ambient by SST									
Model	Compressor	+40°F	+35°F	+30°F	+25°F	+20°F	+15°F	+10°F	+5°F	+0°F	-10°F
BC*0065M@ACZ	ZB48KCE	72,860	66,830	61,120	55,620	50,470	45,720	41,320	37,380	33,830	27,980
BC*0070M@ACZ	ZB58K5E	89,530	81,720	74,080	66,900	60,200	54,030	48,320	43,170	38,560	—
BC*0075M@ACZ	ZB66K5E	100,600	92,180	83,870	76,050	68,740	62,080	56,000	50,600	45,900	—
BC*0086M@ACZ	ZB76K5E	113,700	104,350	95,450	86,880	78,940	71,680	65,130	59,330	54,360	—
BC*0100M@ACZ	ZB95K5E	—	121,450	110,210	99,510	89,320	79,840	70,420	61,360	52,280	—
BC*0141M@ACZ	ZB114K5E	169,080	153,570	138,700	124,650	111,570	99,030	87,080	75,450	64,520	42,850

R-448A/R-449A		Capacity BTUH @ 110°F Ambient by SST									
Model	Compressor	+40°F	+35°F	+30°F	+25°F	+20°F	+15°F	+10°F	+5°F	+0°F	-10°F
BC*0065M@ACZ	ZB48KCE	—	—	—	51,520	46,970	42,800	39,030	35,710	—	—
BC*0070M@ACZ	ZB58K5E	81,970	75,100	68,310	61,900	55,940	50,490	45,400	40,830	—	—
BC*0075M@ACZ	ZB66K5E	91,880	84,620	77,440	70,730	64,480	58,880	53,840	49,460	—	—
BC*0086M@ACZ	ZB76K5E	—	—	88,480	81,290	74,710	68,800	63,640	59,250	—	—
BC*0100M@ACZ	ZB95K5E	—	—	—	—	—	69,660	60,650	51,760	—	—
BC*0141M@ACZ	ZB114K5E	—	—	—	—	99,290	87,260	75,660	64,260	—	—

**Notes:**

\* H = Outdoor, N = Indoor  
 @ C = 208-230/3/60, D = 460/3/60, E = 575/3/60  
 20°F Max Superheat

# PERFORMANCE DATA – R-407A/R-407F

## Medium Temperature Models - Scroll Compressors

Please consult AWEF table on page 17 to confirm DOE compliance per model

R-407A/R-407F		Capacity BTUH @ 90°F Ambient by SST									
Model	Compressor	+40°F	+35°F	+30°F	+25°F	+20°F	+15°F	+10°F	+5°F	+0°F	-10°F
BC*0065M@ACZ	ZB48KCE	78,690	72,600	66,610	60,880	55,240	49,890	44,790	40,010	35,620	27,830
BC*0070M@ACZ	ZB58K5E	96,810	88,720	80,910	73,690	66,900	60,630	54,560	48,660	42,810	30,800
BC*0075M@ACZ	ZB66K5E	109,470	100,600	92,040	83,620	75,530	67,810	60,620	53,840	47,570	36,710
BC*0086M@ACZ	ZB76K5E	125,510	115,590	105,720	96,180	86,680	77,590	68,930	61,020	53,730	41,930
BC*0100M@ACZ	ZB95K5E	143,590	133,110	122,480	111,830	101,300	91,190	81,190	71,730	62,930	48,410
BC*0141M@ACZ	ZB114K5E	182,540	168,040	153,710	139,770	126,400	113,490	101,240	89,780	79,160	61,000

R-407A/R-407F		Capacity BTUH @ 95°F Ambient by SST									
Model	Compressor	+40°F	+35°F	+30°F	+25°F	+20°F	+15°F	+10°F	+5°F	+0°F	-10°F
BC*0065M@ACZ	ZB48KCE	75,410	69,590	63,860	58,370	52,960	47,810	42,930	38,320	34,110	26,670
BC*0070M@ACZ	ZB58K5E	93,110	85,390	78,030	71,130	64,550	58,450	52,450	46,560	40,650	28,320
BC*0075M@ACZ	ZB66K5E	105,220	96,680	88,430	80,280	72,510	65,170	58,200	51,730	45,770	35,580
BC*0086M@ACZ	ZB76K5E	120,630	111,020	101,470	92,240	83,110	74,420	66,200	58,760	52,050	41,540
BC*0100M@ACZ	ZB95K5E	136,880	126,830	116,640	106,440	96,620	86,710	77,190	68,290	60,070	46,830
BC*0141M@ACZ	ZB114K5E	174,860	160,930	147,150	133,610	120,870	108,480	96,730	85,770	75,660	58,630

R-407A/R-407F		Capacity BTUH @ 100°F Ambient by SST									
Model	Compressor	+40°F	+35°F	+30°F	+25°F	+20°F	+15°F	+10°F	+5°F	+0°F	-10°F
BC*0065M@ACZ	ZB48KCE	72,060	66,510	61,190	55,800	50,630	45,700	41,030	36,620	32,580	25,480
BC*0070M@ACZ	ZB58K5E	89,230	82,020	75,020	68,390	62,030	56,080	50,130	44,250	38,260	25,640
BC*0075M@ACZ	ZB66K5E	100,840	92,810	84,710	76,900	69,440	62,420	55,780	49,640	44,020	34,550
BC*0086M@ACZ	ZB76K5E	115,630	106,360	97,180	88,310	79,570	71,350	63,640	56,720	50,610	41,650
BC*0100M@ACZ	ZB95K5E	—	120,400	110,660	100,950	91,580	82,200	73,230	64,920	57,350	45,550
BC*0141M@ACZ	ZB114K5E	166,980	153,690	140,470	127,760	115,250	103,390	92,180	81,770	72,220	56,380

R-407A/R-407F		Capacity BTUH @ 110°F Ambient by SST									
Model	Compressor	+40°F	+35°F	+30°F	+25°F	+20°F	+15°F	+10°F	+5°F	+0°F	-10°F
BC*0065M@ACZ	ZB48KCE	—	—	—	—	45,840	41,380	37,160	33,180	29,560	23,170
BC*0070M@ACZ	ZB58K5E	81,530	74,890	68,520	62,430	56,530	50,750	44,940	39,030	32,900	19,760
BC*0075M@ACZ	ZB66K5E	91,810	84,480	77,100	69,990	63,180	56,940	51,070	45,610	40,770	32,920
BC*0086M@ACZ	ZB76K5E	—	—	88,760	80,600	72,850	65,690	59,170	53,520	48,860	43,450
BC*0100M@ACZ	ZB95K5E	—	—	—	—	—	—	65,520	58,490	52,490	44,140
BC*0141M@ACZ	ZB114K5E	—	—	—	—	—	93,120	83,090	73,810	65,600	52,460

### Notes:

\* H = Outdoor, N = Indoor

@ C = 208-230/3/60, D = 460/3/60, E = 575/3/60

20°F Max Superheat



# PERFORMANCE DATA – R-407C

## Medium Temperature Models - Scroll Compressors

Please consult AWEF table on page 17 to confirm DOE compliance per model

R-407C		Capacity BTUH @ 90°F Ambient by SST									
Model	Compressor	+40°F	+35°F	+30°F	+25°F	+20°F	+15°F	+10°F	+5°F	+0°F	-10°F
BC*0065M@ACZ	ZB48KCE	71,130	65,160	59,300	53,610	48,150	42,820	—	—	—	—
BC*0070M@ACZ	ZB58K5E	90,610	82,250	74,430	67,060	60,330	53,930	48,010	42,400	37,070	—
BC*0075M@ACZ	ZB66K5E	102,960	93,420	84,540	76,210	68,450	61,330	54,690	48,420	42,500	—
BC*0086M@ACZ	ZB76K5E	118,020	107,560	97,670	88,460	79,780	71,780	64,380	57,560	51,300	—
BC*0100M@ACZ	ZB95K5E	138,290	125,810	113,930	102,750	92,270	82,520	73,440	64,780	56,570	—
BC*0141M@ACZ	ZB114K5E	168,890	153,790	139,360	125,770	113,200	101,460	—	—	—	—

R-407C		Capacity BTUH @ 95°F Ambient by SST									
Model	Compressor	+40°F	+35°F	+30°F	+25°F	+20°F	+15°F	+10°F	+5°F	+0°F	-10°F
BC*0065M@ACZ	ZB48KCE	68,560	62,800	57,120	51,590	46,270	41,070	—	—	—	—
BC*0070M@ACZ	ZB58K5E	87,950	79,790	72,110	64,840	58,170	51,910	46,080	40,550	35,310	—
BC*0075M@ACZ	ZB66K5E	100,160	90,850	82,160	74,010	66,460	59,440	52,940	46,820	41,010	—
BC*0086M@ACZ	ZB76K5E	114,660	104,520	94,890	85,960	77,540	69,770	62,600	56,010	49,970	—
BC*0100M@ACZ	ZB95K5E	133,550	121,390	109,830	98,980	88,780	79,280	70,430	62,000	—	—
BC*0141M@ACZ	ZB114K5E	163,670	148,980	134,950	121,730	109,490	—	—	—	—	—

R-407C		Capacity BTUH @ 100°F Ambient by SST									
Model	Compressor	+40°F	+35°F	+30°F	+25°F	+20°F	+15°F	+10°F	+5°F	+0°F	-10°F
BC*0065M@ACZ	ZB48KCE	65,940	60,350	54,860	49,560	—	—	—	—	—	—
BC*0070M@ACZ	ZB58K5E	85,190	77,190	69,620	62,490	55,910	49,780	43,990	38,560	33,400	—
BC*0075M@ACZ	ZB66K5E	97,290	88,190	79,710	71,740	64,360	57,490	51,130	45,140	—	—
BC*0086M@ACZ	ZB76K5E	111,260	101,430	92,120	83,460	75,290	67,780	60,840	54,470	—	—
BC*0100M@ACZ	ZB95K5E	128,670	116,870	105,680	95,100	85,180	75,940	67,340	59,120	—	—
BC*0141M@ACZ	ZB114K5E	158,310	144,070	130,420	117,580	—	—	—	—	—	—

R-407C		Capacity BTUH @ 110°F Ambient by SST									
Model	Compressor	+40°F	+35°F	+30°F	+25°F	+20°F	+15°F	+10°F	+5°F	+0°F	-10°F
BC*0065M@ACZ	ZB48KCE	—	—	—	—	—	—	—	—	—	—
BC*0070M@ACZ	ZB58K5E	79,270	71,560	64,270	57,410	50,950	44,970	39,430	—	—	—
BC*0075M@ACZ	ZB66K5E	91,280	82,750	74,590	66,990	59,940	53,380	47,320	—	—	—
BC*0086M@ACZ	ZB76K5E	—	—	86,540	78,440	70,810	63,820	—	—	—	—
BC*0100M@ACZ	ZB95K5E	—	—	—	—	77,730	69,150	—	—	—	—
BC*0141M@ACZ	ZB114K5E	147,200	133,880	—	—	—	—	—	—	—	—

**Notes:**

\* H = Outdoor, N = Indoor  
 @ C = 208-230/3/60, D = 460/3/60, E = 575/3/60  
 20°F Max Superheat

## PERFORMANCE DATA – R-404A/R-507A

### Low Temperature Models - Scroll Compressors

Please consult AWEF table on page 18 to confirm DOE compliance per model

R-404A/R-507A		Capacity BTUH @ 90°F Ambient by SST								
Model	Compressor	+0°F	-5°F	-10°F	-15°F	-20°F	-25°F	-30°F	-35°F	-40°F
BC*0075L@ACZ	ZF25K4E	42,170	38,520	34,960	31,610	28,460	25,560	22,850	20,350	18,060
BC*0100L@BCZ	ZF34K5E	52,610	48,550	44,450	40,530	36,780	33,240	29,880	26,690	23,670
BC*0130L@BCZ	ZF41K5E	70,440	64,440	58,730	53,360	48,150	43,250	38,600	34,130	29,850
BC*0150L@BCZ	ZF49K5E	79,070	72,190	65,690	59,530	53,680	48,300	43,250	38,430	33,920

R-404A/R-507A		Capacity BTUH @ 95°F Ambient by SST								
Model	Compressor	+0°F	-5°F	-10°F	-15°F	-20°F	-25°F	-30°F	-35°F	-40°F
BC*0075L@ACZ	ZF25K4E	40,420	36,880	33,580	30,400	27,430	24,660	22,100	19,740	17,580
BC*0100L@BCZ	ZF34K5E	49,970	46,190	42,350	38,660	35,140	31,790	28,620	25,590	22,730
BC*0130L@BCZ	ZF41K5E	67,440	61,770	56,400	51,230	46,320	41,640	37,180	32,880	28,740
BC*0150L@BCZ	ZF49K5E	75,530	69,040	62,880	57,040	51,480	46,380	41,550	36,950	32,650

R-404A/R-507A		Capacity BTUH @ 100°F Ambient by SST								
Model	Compressor	+0°F	-5°F	-10°F	-15°F	-20°F	-25°F	-30°F	-35°F	-40°F
BC*0075L@ACZ	ZF25K4E	38,650	35,360	32,190	29,190	26,390	23,770	21,360	19,140	17,130
BC*0100L@BCZ	ZF34K5E	—	—	—	—	33,430	30,290	27,320	24,460	21,760
BC*0130L@BCZ	ZF41K5E	64,340	59,000	53,880	49,050	44,390	39,940	35,670	31,550	27,570
BC*0150L@BCZ	ZF49K5E	71,890	65,770	59,980	54,460	49,190	44,350	39,790	35,430	31,330

R-404A/R-507A		Capacity BTUH @ 110°F Ambient by SST								
Model	Compressor	+0°F	-5°F	-10°F	-15°F	-20°F	-25°F	-30°F	-35°F	-40°F
BC*0075L@ACZ	ZF25K4E	—	—	—	—	—	22,020	19,930	18,020	16,300
BC*0100L@BCZ	ZF34K5E	—	—	—	—	—	—	—	—	—
BC*0130L@BCZ	ZF41K5E	57,840	53,100	48,750	44,400	40,240	36,250	32,400	28,640	24,980
BC*0150L@BCZ	ZF49K5E	—	—	—	—	—	—	—	32,250	28,570

#### Notes:

\* H = Outdoor, N = Indoor models only available as model Rev A

@ C = 208-230/3/60, D = 460/3/60, E = 575/3/60

# PERFORMANCE DATA – R-448A/R-449A

## Low Temperature Models - Scroll Compressors

Please consult AWEF table on page 18 to confirm DOE compliance per model

R-448A/R-449A		Capacity BTUH @ 90°F Ambient by SST								
Model	Compressor	+0°F	-5°F	-10°F	-15°F	-20°F	-25°F	-30°F	-35°F	-40°F
BC*0075L@ACZ	ZF25K4E	40,360	36,240	32,420	28,870	25,650	22,720	20,090	17,770	15,730
BC*0100L@BCZ	ZF34K5E	51,380	46,450	41,790	37,360	33,220	29,350	25,770	22,410	19,280
BC*0130L@BCZ	ZF41K5E	66,930	60,210	53,960	48,140	42,730	37,720	33,110	28,820	24,840
BC*0150L@BCZ	ZF49K5E	79,680	71,820	64,430	57,440	50,980	44,940	39,430	34,370	29,790

R-448A/R-449A		Capacity BTUH @ 95°F Ambient by SST								
Model	Compressor	+0°F	-5°F	-10°F	-15°F	-20°F	-25°F	-30°F	-35°F	-40°F
BC*0075L@ACZ	ZF25K4E	38,980	35,020	31,350	27,930	24,870	22,090	19,610	17,440	15,570
BC*0100L@BCZ	ZF34K5E	49,560	44,820	40,370	36,150	32,190	28,490	25,040	21,810	18,800
BC*0130L@BCZ	ZF41K5E	64,930	58,420	52,430	46,780	41,550	36,700	32,240	28,080	24,230
BC*0150L@BCZ	ZF49K5E	77,100	69,550	62,410	55,680	49,450	43,640	38,320	33,450	29,050

R-448A/R-449A		Capacity BTUH @ 100°F Ambient by SST								
Model	Compressor	+0°F	-5°F	-10°F	-15°F	-20°F	-25°F	-30°F	-35°F	-40°F
BC*0075L@ACZ	ZF25K4E	37,600	33,800	30,280	27,030	24,110	21,500	19,180	17,170	15,470
BC*0100L@BCZ	ZF34K5E	47,620	43,160	38,930	34,920	31,140	27,590	24,300	21,210	18,340
BC*0130L@BCZ	ZF41K5E	62,830	56,580	50,820	45,370	40,320	35,650	31,350	27,340	23,630
BC*0150L@BCZ	ZF49K5E	74,380	67,150	60,330	53,860	47,880	42,300	37,190	32,530	28,310

R-448A/R-449A		Capacity BTUH @ 110°F Ambient by SST								
Model	Compressor	+0°F	-5°F	-10°F	-15°F	-20°F	-25°F	-30°F	-35°F	-40°F
BC*0075L@ACZ	ZF25K4E	—	—	—	—	—	—	18,480	16,820	15,480
BC*0100L@BCZ	ZF34K5E	—	—	—	—	—	—	—	20,030	17,460
BC*0130L@BCZ	ZF41K5E	58,440	52,700	47,420	42,400	37,760	33,470	29,510	25,830	22,420
BC*0150L@BCZ	ZF49K5E	—	—	—	—	—	39,530	34,860	30,630	26,830

**Notes:**

\* H = Outdoor, N = Indoor models only available as model Rev A

@ C = 208-230/3/60, D = 460/3/60, E = 575/3/60

## PERFORMANCE DATA – R-407A/R-407F

### Low Temperature Models - Scroll Compressors

Please consult AWEF table on page 18 to confirm DOE compliance per model

R-407A/R-407F		Capacity BTUH @ 90°F Ambient by SST								
Model	Compressor	+0°F	-5°F	-10°F	-15°F	-20°F	-25°F	-30°F	-35°F	-40°F
BC*0075L@ACZ	ZF25K4E	40,540	36,530	32,690	29,060	25,710	22,680	20,000	17,720	15,920
BC*0100L@BCZ	ZF34K5E	50,640	45,740	41,010	36,500	32,250	28,410	25,010	22,080	19,710
BC*0130L@BCZ	ZF41K5E	64,250	57,740	51,630	45,840	40,450	35,570	31,270	27,590	24,590
BC*0150L@BCZ	ZF49K5E	77,330	69,510	62,070	54,980	48,490	42,590	37,470	33,150	29,820

R-407A/R-407F		Capacity BTUH @ 95°F Ambient by SST								
Model	Compressor	+0°F	-5°F	-10°F	-15°F	-20°F	-25°F	-30°F	-35°F	-40°F
BC*0075L@ACZ	ZF25K4E	39,200	35,300	31,590	28,070	24,840	21,900	19,330	17,160	15,440
BC*0100L@BCZ	ZF34K5E	48,630	43,920	39,370	35,040	30,950	27,260	24,000	21,170	18,910
BC*0130L@BCZ	ZF41K5E	62,220	55,900	49,940	44,340	39,100	34,370	30,200	26,630	23,740
BC*0150L@BCZ	ZF49K5E	74,630	67,080	59,860	52,990	46,680	40,990	36,040	31,870	28,670

R-407A/R-407F		Capacity BTUH @ 100°F Ambient by SST								
Model	Compressor	+0°F	-5°F	-10°F	-15°F	-20°F	-25°F	-30°F	-35°F	-40°F
BC*0075L@ACZ	ZF25K4E	37,800	34,040	30,460	27,050	23,920	21,100	18,620	16,540	14,900
BC*0100L@BCZ	ZF34K5E	46,510	42,000	37,630	33,480	29,560	26,020	22,870	20,180	18,020
BC*0130L@BCZ	ZF41K5E	60,100	53,970	48,240	42,750	37,660	33,070	29,030	25,580	22,780
BC*0150L@BCZ	ZF49K5E	71,820	64,520	57,530	50,870	44,770	39,260	34,480	30,490	27,420

R-407A/R-407F		Capacity BTUH @ 110°F Ambient by SST								
Model	Compressor	+0°F	-5°F	-10°F	-15°F	-20°F	-25°F	-30°F	-35°F	-40°F
BC*0075L@ACZ	ZF25K4E	—	—	—	—	—	—	17,060	15,160	13,670
BC*0100L@BCZ	ZF34K5E	—	—	—	—	—	—	—	—	15,980
BC*0130L@BCZ	ZF41K5E	55,540	49,780	44,380	39,260	34,520	30,170	26,380	23,140	20,520
BC*0150L@BCZ	ZF49K5E	—	—	—	—	—	—	30,920	27,210	24,380

#### Notes:

\* H = Outdoor, N = Indoor models only available as model Rev A

@ C = 208-230/3/60, D = 460/3/60, E = 575/3/60

# PERFORMANCE DATA – R-407C

## Low Temperature Models - Scroll Compressors

Please consult AWEF table on page 18 to confirm DOE compliance per model

R-407C		Capacity BTUH @ 90°F Ambient by SST								
Model	Compressor	+0°F	-5°F	-10°F	-15°F	-20°F	-25°F	-30°F	-35°F	-40°F
BC*0075L@ACZ	ZF25K4E	35,540	31,870	28,370	25,120	22,110	19,440	17,140	15,250	13,840
BC*0100L@BCZ	ZF34K5E	48,670	43,870	39,370	35,140	31,230	27,620	24,370	21,370	18,660
BC*0130L@BCZ	ZF41K5E	63,520	56,880	50,790	45,090	39,900	35,150	30,850	26,960	23,460
BC*0150L@BCZ	ZF49K5E	72,880	65,250	57,970	51,150	44,920	39,330	34,590	30,790	28,020

R-407C		Capacity BTUH @ 95°F Ambient by SST								
Model	Compressor	+0°F	-5°F	-10°F	-15°F	-20°F	-25°F	-30°F	-35°F	-40°F
BC*0075L@ACZ	ZF25K4E	34,560	30,970	27,550	24,390	21,450	18,850	16,640	14,830	13,500
BC*0100L@BCZ	ZF34K5E	47,080	42,470	38,150	34,090	30,330	26,860	23,710	20,830	18,220
BC*0130L@BCZ	ZF41K5E	61,690	55,240	49,370	43,870	38,830	34,240	30,090	26,320	22,920
BC*0150L@BCZ	ZF49K5E	70,750	63,280	56,180	49,510	43,430	0	33,400	29,730	27,090

R-407C		Capacity BTUH @ 100°F Ambient by SST								
Model	Compressor	+0°F	-5°F	-10°F	-15°F	-20°F	-25°F	-30°F	-35°F	-40°F
BC*0075L@ACZ	ZF25K4E	33,540	30,040	26,720	23,620	20,770	18,250	16,110	14,380	13,110
BC*0100L@BCZ	ZF34K5E	45,480	41,060	36,910	33,020	29,390	26,060	23,040	20,280	17,760
BC*0130L@BCZ	ZF41K5E	59,790	53,620	47,920	42,610	37,740	33,310	29,300	25,660	22,390
BC*0150L@BCZ	ZF49K5E	68,540	61,220	54,280	47,770	41,800	0	32,090	28,550	26,020

R-407C		Capacity BTUH @ 110°F Ambient by SST								
Model	Compressor	+0°F	-5°F	-10°F	-15°F	-20°F	-25°F	-30°F	-35°F	-40°F
BC*0075L@ACZ	ZF25K4E	31,380	28,050	24,910	21,990	19,300	16,930	14,930	13,350	12,220
BC*0100L@BCZ	ZF34K5E	—	—	—	—	—	—	—	—	16,770
BC*0130L@BCZ	ZF41K5E	55,880	50,170	44,850	39,970	35,450	31,340	27,630	24,260	21,230
BC*0150L@BCZ	ZF49K5E	—	—	—	—	—	—	29,050	25,720	23,420

**Notes:**

\* H = Outdoor, N = Indoor models only available as model Rev A

@ C = 208-230/3/60, D = 460/3/60, E = 575/3/60

## UNIT SPECIFICATIONS

### Medium & Low Temperature Models - Scroll Compressors

Please consult AWEF table on pages 17-18 to confirm DOE compliance per model

Model	Compressor	Refrigerant Line Connections (OD)		Rec. Capacity @90% full (lbs)		Cabinet <sup>h</sup>	Dimensions (In.)			Net Wt. (lbs.)	Sound Data dBa <sup>†</sup>
		Liquid	Suction	Std	Opt		Depth	Width	Height		
BC*0065M@ACZ	ZB48KCE	1/2	1 1/8	28	52	C4	36.75	51.75	39.25	574	78
BC*0070M@ACZ	ZB58K5E	5/8	1 3/8	67	78	C5	36.75	63.75	39.25	800	80
BC*0075M@ACZ	ZB66K5E	5/8	1 3/8	67	78	C5	36.75	63.75	39.25	813	80
BC*0086M@ACZ	ZB76K5E	5/8	1 3/8	67	78	C5	36.75	63.75	39.25	818	80
BC*0100M@ACZ	ZB95K5E	5/8	1 3/8	67	78	C5	36.75	63.75	39.25	908	82
BC*0141M@ACZ	ZB114K5E	7/8	1 5/8	87	98	C6	41.75	75.125	48.75	1,235	82
BC*0075L@ACZ	ZF25K4E	1/2	1 1/8	28	52	C4	36.75	51.75	39.25	671	82
BC*0100L@BCZ	ZF34K5E	1/2	1 1/8	28	52	C4	36.75	51.75	39.25	671	82
BC*0130L@BCZ	ZF41K5E	5/8	1 3/8	67	78	C5	36.75	63.75	39.25	910	84
BC*0150L@BCZ	ZF49K5E	5/8	1 3/8	67	78	C5	36.75	63.75	39.25	891	83

#### Notes:

\* H = Outdoor, N = Indoor models only available as model Rev A

@ C = 208-230/3/60, D = 460/3/60, E = 575/3/60

<sup>†</sup> Estimated sound pressure values are 10 feet from the unit. For estimating sound pressure from the unit at different distances, deduct the following from the unit values: 20 feet, deduct 6 dBA; for 40 feet, deduct 12 dBA; for 80 feet, deduct 18 dBA. This data is typical of "free field" conditions for horizontal air cooled condensing units at the outlet of the discharge air. The actual sound measurements may vary depending on the condensing unit installation. Factors such as reflecting walls, background noise and mounting conditions may have a significant influence on this data.

# ELECTRICAL DATA

## Medium Temperature Models - Scroll Compressors

Please consult AWEF table on page 17 to confirm DOE compliance per model

Model	Compressor	Power <sup>1</sup>	Compressor		Condenser		intelliGen™/ Beacon II		Remote Loads- Low Amps				Remote Loads- High Amps			
			RLA <sup>c</sup>	LRA	No. Fans	FLA (ea)	MCA	MOPD	Evap. Fan Amps	Defrost Htrs. Amps <sup>‡</sup>	Electric Defrost		Evap. Fan Amps	Defrost Htrs. Amps <sup>‡</sup>	Electric Defrost	
											MCA	MOPD			MCA	MOPD
BC*0065MCACZ	ZB48KCE-TF5	208-230/3/60	22.8	164.0	1	2.7	311	50.0	—	—	—	—	15	40(1)	50.0	60
BC*0065MDACZ	ZB48KCE-TFD	460/3/60	12.2	100.0	1	1.9	20.0	25.0	—	—	—	—	8	20(1)	25.2	35
BC*0065MEACZ <sup>12</sup>	ZB48KCE-TFE	575/3/60	9.0	78.0	1	1.2	15.0	20.0	—	—	—	—	6.4	16(1)	20.0	25
BC*0070MCACZ	ZB58K5E-TFC	208-230/3/60	30.8	195.0	2	2.7	43.9	70.0	—	—	—	—	20	48(1)	63.9	90
BC*0070MDACZ	ZB58K5E-TFD	460/3/60	16.0	95.0	2	1.9	23.8	35.0	—	—	—	—	10	25(1)	33.8	45
BC*0070MEACZ <sup>1</sup>	ZB58K5E-TFE	575/3/60	12.2	80.0	2	1.2	20.0	25.0	—	—	—	—	8	20(1)	25.6	35
BC*0075MCACZ	ZB66K5E-TFC	208-230/3/60	35.3	225.0	2	2.7	49.5	80.0	—	—	—	—	20	48(1)	69.5	100
BC*0075MDACZ	ZB66K5E-TFD	460/3/60	15.4	114.0	2	1.9	23.0	35.0	—	—	—	—	10	25(1)	33.0	45
BC*0075MEACZ <sup>1</sup>	ZB66K5E-TFE	575/3/60	12.8	80.0	2	1.2	20.0	30.0	—	—	—	—	8	20(1)	26.4	35
BC*0086MCACZ	ZB76K5E-TFC	208-230/3/60	38.6	239.0	2	2.7	53.6	90.0	—	—	—	—	20	70(2)	87.5	110
BC*0086MDACZ	ZB76K5E-TFD	460/3/60	18.6	125.0	2	1.9	27.0	45.0	—	—	—	—	13	35(1)	43.8	50
BC*0086MEACZ <sup>1</sup>	ZB76K5E-TFE	575/3/60	13.1	80.0	2	1.2	20.0	30.0	—	—	—	—	10.4	28(1)	35.0	40
BC*0100MCACZ	ZB95K5E-TWC	208-230/3/60	47.4	298.0	2	2.7	64.7	110.0	—	—	—	—	20	70(2)	87.5	125
BC*0100MDACZ	ZB95K5E-TFD	460/3/60	21.8	150.0	2	1.9	31.0	50.0	—	—	—	—	13	35(1)	44.0	60
BC*0100MEACZ <sup>1</sup>	ZB95K5E-TFE	575/3/60	18.7	123.0	2	1.2	25.7	40.0	—	—	—	—	10.4	28(1)	36.1	50
BC*0141MCACZ <sup>3</sup>	ZB114K5E-TWC	208-230/3/60	56.5	321.0	2	4.4	79.5	125.0	15	70(2)	94.5	150	20	80(2)	100	150
BC*0141MDACZ <sup>3</sup>	ZB114K5E-TFD	460/3/60	24.4	179.0	2	2.2	34.8	50.0	15	40(1)	50.0	70	15	60(2)	75.0	80
BC*0141MEACZ <sup>1</sup>	ZB114K5E-TWE	575/3/60	20.1	132.0	2	1.8	28.8	45.0	12	32(1)	40.8	60	12	48(1)	60.0	60

### Notes:

\* H = Outdoor, N = Indoor

Per UL and NEC, RLA values have been calculated by dividing the Maximum Continuous Current (MCC) by 1.56.

<sup>1</sup> Unless otherwise noted, model is available for 50 Hz. Consult factory for details.

<sup>‡</sup> = Number of defrost heater contactors in parentheses

<sup>1</sup> R407F not available in 575/3/60.

<sup>2</sup> R407C not available in 575/3/60.

<sup>3</sup> R407C not available in 208-230/3/60 or 460/3/60.

## ELECTRICAL DATA

### Low Temperature Models - Scroll Compressors

Please consult AWEF table on page 18 to confirm DOE compliance per model

Model	Compressor	Power <sup>1</sup>	Remote Loads- Low Amps																Remote Loads- High Amps			
			Compressor		Condenser		intelliGen™/ Beacon II		Evap. Fan Amps	Defrost Htrs. Amps	Electric Defrost		Evap. Fan Amps	Defrost Htrs. Amps <sup>‡</sup>	Electric Defrost							
			RLA <sup>c</sup>	LRA	No. Fans	FLA (ea)	MCA	MOPD			MCA	MOPD			MCA	MOPD						
BC*0075LCACZ	ZF25K4E-TF5	208-230/3/60	24.0	224.0	1	2.7	32.7	50.0	—	—	—	—	20	60 (2)	75.0	80						
BC*0075LDACZ	ZF25K4E-TFD	460/3/60	10.6	99.0	1	1.9	20.0	25.0	—	—	—	—	10	30 (1)	37.5	40						
BC*0075LEACZ	ZF25K4E-TFE	575/3/60	8.1	82.4	1	1.2	15.0	15.0	—	—	—	—	8	24 (1)	30.0	30						
BC*0100LCBCZ <sup>3</sup>	ZF34K5E-TFC	208-230/3/60	33.3	239.0	1	2.7	44.4	70.0	—	—	—	—	20	60 (2)	75.0	90						
BC*0100LDBCZ	ZF34K5E-TFD	460/3/60	16.0	100.0	1	1.9	21.9	35.0	—	—	—	—	10	30 (1)	37.5	45						
BC*0100LEBCZ <sup>1</sup>	ZF34K5E-TFE	575/3/60	12.8	100.0	1	1.2	20.0	30.0	—	—	—	—	8	24 (1)	30.0	35						
BC*0130LCBCZ	ZF41K5E-TFC	208-230/3/60	37.8	248.0	2	2.7	52.7	90.0	—	—	—	—	20	70 (2)	87.5	110						
BC*0130LDBCZ	ZF41K5E-TFD	460/3/60	17.3	125.0	2	1.9	25.4	40.0	—	—	—	—	13	35 (1)	43.8	50						
BC*0130LEBCZ	ZF41K5E-TFE	575/3/60	14.0	100.0	2	1.2	20.0	30.0	—	—	—	—	10.4	28 (1)	35.0	40						
BC*0150LCBCZ <sup>1</sup>	ZF49K5E-TFC	208-230/3/60	45.5	338.7	2	2.7	62.3	100.0	—	—	—	—	20	70 (2)	87.5	125						
BC*0150LDBCZ	ZF49K5E-TFD	460/3/60	18.1	139.0	2	1.9	26.5	40.0	—	—	—	—	13	35 (1)	43.8	50						
BC*0150LEBCZ <sup>1</sup>	ZF49K5E-TFE	575/3/60	16.3	123.0	2	1.2	22.8	35.0	—	—	—	—	10.4	28 (1)	35.0	45						

#### Notes:

\* H = Outdoor, N = Indoor models only available as model Rev A  
Per UL and NEC, RLA values have been calculated by dividing the Maximum Continuous Current (MCC) by 1.56.

<sup>†</sup> Unless otherwise noted, model is available for 50 Hz. Consult factory for details.

<sup>‡</sup> = Number of defrost heater contactors in parentheses

<sup>1</sup> R407F not available in 575/3/60.

<sup>2</sup> R407C not available in 575/3/60.

<sup>3</sup> R407C not available in 208-230/3/60 or 460/3/60.



# AWEF DATA – MEDIUM TEMPERATURE

## Scroll Compressor Models - Indoor/Outdoor

If model has a numerical value in the table below, the following statement applies:  
This refrigeration system is designed and certified for use in walk-in cooler applications.

Model	Indoor						Outdoor					
	R-404A/ R-507A	R-448A	R-449A	R-407A	R-407C	R-407F	R-404A/ R-507A	R-448A	R-449A	R-407A	R-407C	R-407F
BC*0065MCACZ	—	5.61	5.61	5.61	X	5.61	7.60	7.60	7.60	7.60	X	7.60
BC*0065MDACZ	—	5.61	5.61	5.61	X	5.61	7.60	7.60	7.60	7.60	X	7.60
BC*0065MEACZ	—	5.61	5.61	5.61	X	5.61	7.60	7.60	7.60	7.60	X	7.60
BC*0070MCACZ	5.61	5.61	5.61	—	X	5.61	7.60	7.60	7.60	7.60	X	7.60
BC*0070MDACZ	5.61	5.61	5.61	—	X	5.61	7.60	7.60	7.60	7.60	X	7.60
BC*0070MEACZ	5.61	5.61	5.61	—	X	5.61	7.60	7.60	7.60	7.60	X	7.60
BC*0075MCACZ	5.61	5.61	5.61	5.61	X	5.61	7.60	7.60	7.60	7.60	X	7.60
BC*0075MDACZ	5.61	5.61	5.61	5.61	X	5.61	7.60	7.60	7.60	7.60	X	7.60
BC*0075MEACZ	5.61	5.61	5.61	5.61	X	5.61	7.60	7.60	7.60	7.60	X	7.60
BC*0086MCACZ	—	5.61	5.61	—	5.61	5.61	7.60	7.60	7.60	7.60	7.60	7.60
BC*0086MDACZ	—	5.61	5.61	—	5.61	5.61	7.60	7.60	7.60	7.60	7.60	7.60
BC*0086MEACZ	—	5.61	5.61	—	5.61	5.61	7.60	7.60	7.60	7.60	7.60	7.60
BC*0100MCACZ	—	—	—	—	—	—	7.60	7.60	7.60	7.60	7.60	7.60
BC*0100MDACZ	—	—	—	—	—	—	7.60	7.60	7.60	7.60	7.60	7.60
BC*0100MEACZ	—	—	—	—	—	—	7.60	7.60	7.60	7.60	7.60	7.60
BC*0141MCACZ	—	—	—	—	5.61	—	7.60	7.60	7.60	7.60	7.60	7.60
BC*0141MDACZ	—	—	—	—	5.61	—	7.60	7.60	7.60	7.60	7.60	7.60
BC*0141MEACZ	—	—	—	—	5.61	—	7.60	7.60	7.60	7.60	7.60	7.60

**Notes:**

\*H = Outdoor, N = Indoor

X = model not suitable for this refrigerant

— = model is not DOE AWEF compliant

If model has a numerical value in the table, the following statement applies. "This refrigeration system is designed and certified for use in walk-in cooler applications."

## AWEF DATA – LOW TEMPERATURE

### Scroll Compressor Models - Indoor/Outdoor

If model has a numerical value in the table below, the following statement applies:

This refrigeration system is designed and certified for use in walk-in freezer applications.

Model	Indoor						Outdoor					
	R-404A/ R-507A	R-448A	R-449A	R-407A	R-407C	R-407F	R-404A/ R-507A	R-448A	R-449A	R-407A	R-407C	R-407F
BC*0075LCACZ	2.40	—	—	—	—	—	3.15	3.15	3.15	3.15	3.15	3.15
BC*0075LDACZ	2.40	—	—	—	—	—	3.15	3.15	3.15	3.15	3.15	3.15
BC*0075LEACZ	—	—	—	—	—	—	3.15	3.15	—	—	3.15	3.15
BC*0100LCBCZ	—	—	—	—	—	—	3.15	3.15	3.15	—	—	3.15
BC*0100LDBCZ	—	—	—	—	—	—	3.15	3.15	3.15	—	—	3.15
BC*0100LEBCZ	—	—	—	—	—	—	3.15	3.15	3.15	—	—	3.15
BC*0130LCBCZ	2.40	2.40	2.40	—	—	—	3.15	3.15	3.15	—	3.15	3.15
BC*0130LDBCZ	2.40	2.40	2.40	—	—	—	3.15	3.15	3.15	—	3.15	3.15
BC*0130LEBCZ	—	2.40	2.40	—	—	—	3.15	3.15	3.15	—	—	3.15
BC*0150LCBCZ	—	—	2.40	—	—	—	3.15	3.15	3.15	—	—	3.15
BC*0150LDBCZ	—	—	2.40	—	—	—	3.15	3.15	3.15	—	—	3.15
BC*0150LEBCZ	—	—	—	—	—	—	3.15	3.15	3.15	—	—	3.15

#### Notes:

\*H = Outdoor, N = Indoor models only available as model Rev A

X = model not suitable for this refrigerant

— = model is not DOE AWEF compliant

If model has a numerical value in the table, the following statement applies. "This refrigeration system is designed and certified for use in walk-in freezer applications."

# PERFORMANCE DATA – R-404A/R-507A

## Medium Temperature Models - Discus™ Compressors

Please consult AWEF table on page 38 to confirm DOE compliance per model

R-404A/R-507A		Capacity BTUH @ 90°F Ambient by SST									
Model	Compressor	+40°F	+35°F	+30°F	+25°F	+20°F	+15°F	+10°F	+5°F	+0°F	-10°F
BC*0050M@ACD	2DC3R53KE	60,650	55,700	50,840	46,270	41,940	37,750	33,860	30,210	26,820	20,890
BC*0051M@ACD	2DD3R63KE	69,020	64,010	58,800	53,620	48,820	44,230	39,810	35,720	31,930	25,270
BC*0075M@ACD	2DL3R78KE	81,700	75,800	70,110	64,340	58,670	53,440	48,450	43,710	39,290	31,270
BC*0076M@ACD	2DA3R89KE	101,530	93,490	86,120	78,770	71,990	65,420	59,280	53,490	48,110	38,250
BC*0080M@ACD	3DA3R10ME	118,200	109,220	100,350	92,040	84,200	76,540	69,330	62,450	56,100	44,430
BC*0100M@ACD	3DB3R12ME	133,270	124,030	114,660	105,400	96,850	88,670	80,800	73,300	66,170	52,670
BC*0120M@ACD	3DF3R15ME	153,030	142,480	132,770	123,400	113,810	104,640	95,640	87,180	79,020	63,780
BC*0150M@ACD	3DS3R17ME	184,960	171,910	159,010	146,210	134,330	122,900	111,960	101,600	91,680	73,230

R-404A/R-507A		Capacity BTUH @ 95°F Ambient by SST									
Model	Compressor	+40°F	+35°F	+30°F	+25°F	+20°F	+15°F	+10°F	+5°F	+0°F	-10°F
BC*0050M@ACD	2DC3R53KE	57,640	52,950	48,340	44,010	39,820	35,880	32,200	28,710	25,490	19,840
BC*0051M@ACD	2DD3R63KE	65,520	60,810	55,880	50,970	46,440	42,160	37,960	34,010	30,410	24,120
BC*0075M@ACD	2DL3R78KE	77,580	72,090	66,720	61,260	55,910	50,960	46,160	41,630	37,440	29,840
BC*0076M@ACD	2DA3R89KE	96,770	89,370	82,030	75,370	68,750	62,560	56,620	51,130	45,940	36,430
BC*0080M@ACD	3DA3R10ME	112,800	104,340	95,970	88,100	80,650	73,250	66,450	59,950	53,870	42,630
BC*0100M@ACD	3DB3R12ME	126,880	118,250	109,390	100,660	92,580	84,810	77,290	70,110	63,310	50,400
BC*0120M@ACD	3DF3R15ME	145,390	135,490	126,380	117,620	108,580	99,680	91,400	83,340	75,760	61,010
BC*0150M@ACD	3DS3R17ME	175,390	163,700	151,600	139,560	128,330	117,540	107,330	97,310	87,870	70,230

R-404A/R-507A		Capacity BTUH @ 100°F Ambient by SST									
Model	Compressor	+40°F	+35°F	+30°F	+25°F	+20°F	+15°F	+10°F	+5°F	+0°F	-10°F
BC*0050M@ACD	2DC3R53KE	54,630	50,080	45,860	41,820	37,840	34,030	30,530	27,230	24,180	18,790
BC*0051M@ACD	2DD3R63KE	62,020	57,590	52,940	48,330	44,050	40,000	36,070	32,350	28,920	22,990
BC*0075M@ACD	2DL3R78KE	73,540	68,370	63,320	58,200	53,140	48,450	44,000	39,720	35,640	28,410
BC*0076M@ACD	2DA3R89KE	92,020	84,780	78,110	71,780	65,490	59,560	53,920	48,730	43,760	34,600
BC*0080M@ACD	3DA3R10ME	107,440	99,240	91,590	84,160	76,970	70,260	63,650	57,450	51,650	40,840
BC*0100M@ACD	3DB3R12ME	120,520	112,460	104,130	95,910	88,260	80,940	73,910	67,110	60,490	48,120
BC*0120M@ACD	3DF3R15ME	—	128,520	119,960	111,790	103,350	95,230	87,180	79,560	72,370	58,310
BC*0150M@ACD	3DS3R17ME	166,390	155,510	144,200	132,840	122,310	112,180	102,500	93,030	84,090	67,200

**Notes:**

\* H = Outdoor, N = Indoor

@ C = 208-230/3/60, D = 460/3/60, E = 575/3/60

## PERFORMANCE DATA – R-404A/R-507A

Medium Temperature Models - Discus™ Compressors (cont.)

Please consult AWEF table on page 38 to confirm DOE compliance per model

R-404A/R-507A		Capacity BTUH @ 110°F Ambient by SST									
Model	Compressor	+40°F	+35°F	+30°F	+25°F	+20°F	+15°F	+10°F	+5°F	+0°F	-10°F
BC*0050M@ACD	2DC3R53KE	48,700	44,710	41,070	37,360	33,760	30,460	27,300	24,350	21,600	16,760
BC*0051M@ACD	2DD3R63KE	—	51,180	47,110	43,050	39,380	35,630	32,230	28,960	25,960	20,770
BC*0075M@ACD	2DL3R78KE	—	—	56,580	52,070	47,590	43,440	39,490	35,650	32,040	25,560
BC*0076M@ACD	2DA3R89KE	82,170	76,160	70,240	64,570	58,920	53,630	48,690	43,930	39,400	30,920
BC*0080M@ACD	3DA3R10ME	96,740	89,570	82,850	76,310	69,970	63,850	57,980	52,460	47,130	37,140
BC*0100M@ACD	3DB3R12ME	—	—	93,580	86,320	79,630	73,250	66,850	60,700	54,780	43,510
BC*0120M@ACD	3DF3R15ME	—	—	—	—	—	85,610	78,700	72,060	65,630	52,960
BC*0150M@ACD	3DS3R17ME	—	—	—	119,440	110,270	101,400	92,860	84,410	76,360	61,200

**Notes:**

\* H = Outdoor, N = Indoor

@ C = 208-230/3/60, D = 460/3/60, E = 575/3/60

# PERFORMANCE DATA – R-448A/R-449A

## Medium Temperature Models - Discus™ Compressors

Please consult AWEF table on page 38 to confirm DOE compliance per model

R-448A/R-449A		Capacity BTUH @ 90°F Ambient by SST									
Model	Compressor	+40°F	+35°F	+30°F	+25°F	+20°F	+15°F	+10°F	+5°F	+0°F	-10°F
BC*0050M@ACD	2DC3R53KE	60,640	55,060	49,740	44,780	40,050	35,750	31,770	28,190	24,940	19,460
BC*0051M@ACD	2DD3R63KE	68,070	62,120	56,390	50,940	45,890	41,110	36,750	32,730	29,150	23,280
BC*0075M@ACD	2DL3R78KE	83,020	76,130	69,580	63,380	57,540	52,140	46,930	41,980	37,290	28,290
BC*0076M@ACD	2DA3R89KE	100,200	91,440	83,200	75,180	67,550	60,630	53,980	47,900	42,350	32,640
BC*0080M@ACD	3DA3R10ME	119,190	109,550	100,040	90,900	81,920	73,340	65,310	57,790	50,940	39,130
BC*0100M@ACD	3DB3R12ME	135,650	125,280	115,000	104,920	95,110	85,840	76,820	68,400	60,530	47,080
BC*0120M@ACD	3DF3R15ME	152,510	141,100	129,740	118,290	107,400	96,880	86,760	77,310	68,390	53,050
BC*0150M@ACD	3DS3R17ME	187,720	173,320	158,990	144,930	131,260	118,240	105,600	93,600	82,440	62,440

R-448A/R-449A		Capacity BTUH @ 95°F Ambient by SST									
Model	Compressor	+40°F	+35°F	+30°F	+25°F	+20°F	+15°F	+10°F	+5°F	+0°F	-10°F
BC*0050M@ACD	2DC3R53KE	58,260	52,860	47,730	42,930	38,370	34,230	30,440	26,980	23,860	18,660
BC*0051M@ACD	2DD3R63KE	65,400	59,670	54,160	48,940	44,070	39,480	35,270	31,450	28,050	22,520
BC*0075M@ACD	2DL3R78KE	79,850	73,270	66,980	61,030	55,400	50,180	45,140	40,390	35,780	27,010
BC*0076M@ACD	2DA3R89KE	96,350	88,030	80,100	72,380	65,050	58,300	51,950	46,110	40,730	31,330
BC*0080M@ACD	3DA3R10ME	114,580	105,350	96,230	87,440	78,760	70,530	62,660	55,390	48,650	36,960
BC*0100M@ACD	3DB3R12ME	130,570	120,350	110,520	100,830	91,390	82,430	73,680	65,470	57,790	44,550
BC*0120M@ACD	3DF3R15ME	146,130	135,290	124,410	113,400	102,940	92,790	83,010	73,830	65,060	50,070
BC*0150M@ACD	3DS3R17ME	180,690	166,950	153,270	139,780	126,620	114,040	101,780	90,090	79,120	59,330

R-448A/R-449A		Capacity BTUH @ 100°F Ambient by SST									
Model	Compressor	+40°F	+35°F	+30°F	+25°F	+20°F	+15°F	+10°F	+5°F	+0°F	-10°F
BC*0050M@ACD	2DC3R53KE	55,880	50,690	45,740	41,120	36,790	32,740	29,110	25,790	22,820	17,880
BC*0051M@ACD	2DD3R63KE	62,730	57,250	51,950	46,950	42,270	37,850	33,860	30,230	27,000	21,800
BC*0075M@ACD	2DL3R78KE	76,690	70,410	64,380	58,640	53,230	48,200	43,330	38,710	34,250	25,690
BC*0076M@ACD	2DA3R89KE	92,560	84,580	76,980	69,550	62,530	56,010	49,940	44,270	39,080	30,010
BC*0080M@ACD	3DA3R10ME	109,990	101,150	92,390	83,930	75,550	67,580	59,940	52,870	46,250	34,750
BC*0100M@ACD	3DB3R12ME	125,140	115,370	105,930	96,640	87,550	78,920	70,430	62,490	54,910	41,930
BC*0120M@ACD	3DF3R15ME	—	129,470	119,030	108,440	98,390	88,600	79,130	70,220	61,720	—
BC*0150M@ACD	3DS3R17ME	173,650	160,610	147,520	134,620	121,990	109,820	97,920	86,530	75,760	56,150

**Notes:**

\* H = Outdoor, N = Indoor

@ C = 208-230/3/60, D = 460/3/60, E = 575/3/60

## PERFORMANCE DATA – R-448A/R-449A

Medium Temperature Models - Discus™ Compressors (cont.)

Please consult AWEF table on page 38 to confirm DOE compliance per model

R-448A/R-449A		Capacity BTUH @ 110°F Ambient by SST									
Model	Compressor	+40°F	+35°F	+30°F	+25°F	+20°F	+15°F	+10°F	+5°F	+0°F	-10°F
BC*0050M@ACD	2DC3R53KE	51,190	46,410	41,910	37,530	33,560	29,880	26,550	23,530	20,830	16,460
BC*0051M@ACD	2DD3R63KE	—	52,450	47,630	43,120	38,790	34,780	31,160	27,900	25,030	20,530
BC*0075M@ACD	2DL3R78KE	—	—	—	53,880	48,890	44,230	39,670	35,310	31,150	22,980
BC*0076M@ACD	2DA3R89KE	84,890	77,610	70,660	63,860	57,450	51,390	45,810	40,590	35,780	27,350
BC*0080M@ACD	3DA3R10ME	—	92,710	84,670	76,850	69,050	61,520	54,350	47,670	41,350	30,140
BC*0100M@ACD	3DB3R12ME	—	—	—	88,100	79,700	71,680	63,580	56,080	49,060	—
BC*0120M@ACD	3DF3R15ME	—	—	—	—	—	80,110	71,170	62,730	54,560	—
BC*0150M@ACD	3DS3R17ME	—	—	—	124,370	112,860	101,400	90,210	79,460	68,990	—

**Notes:**

\* H = Outdoor, N = Indoor

@ C = 208-230/3/60, D = 460/3/60, E = 575/3/60

# PERFORMANCE DATA – R-407A/R-407F

## Medium Temperature Models - Discus™ Compressors

Please consult AWEF table on page 38 to confirm DOE compliance per model

R-407A/R-407F		Capacity BTUH @ 90°F Ambient by SST									
Model	Compressor	+40°F	+35°F	+30°F	+25°F	+20°F	+15°F	+10°F	+5°F	+0°F	-10°F
BC*0050M@ACD	2DC3R53KE	61,510	55,840	50,430	45,430	40,600	36,300	32,310	28,740	25,490	19,970
BC*0051M@ACD	2DD3R63KE	69,070	62,720	56,950	51,480	46,440	41,660	37,280	33,290	29,720	23,830
BC*0075M@ACD	2DL3R78KE	83,660	76,600	69,730	63,420	57,490	52,060	46,880	42,120	37,890	30,440
BC*0076M@ACD	2DA3R89KE	101,470	92,620	84,110	76,210	68,650	61,680	55,100	49,050	43,510	33,610
BC*0080M@ACD	3DA3R10ME	120,960	110,860	101,140	91,870	83,220	74,930	67,240	59,960	53,350	41,340
BC*0100M@ACD	3DB3R12ME	137,510	126,310	115,860	105,810	96,220	87,160	78,670	70,560	62,960	49,410
BC*0120M@ACD	3DF3R15ME	152,510	140,890	129,520	118,480	107,610	97,570	88,020	79,010	70,770	55,990
BC*0150M@ACD	3DS3R17ME	186,520	171,360	157,130	143,430	130,330	117,860	106,210	95,060	84,550	65,380

R-407A/R-407F		Capacity BTUH @ 95°F Ambient by SST									
Model	Compressor	+40°F	+35°F	+30°F	+25°F	+20°F	+15°F	+10°F	+5°F	+0°F	-10°F
BC*0050M@ACD	2DC3R53KE	58,900	53,430	48,240	43,410	38,800	34,660	30,830	27,420	24,310	19,080
BC*0051M@ACD	2DD3R63KE	66,130	60,070	54,530	49,290	44,450	39,880	35,710	31,900	28,520	22,970
BC*0075M@ACD	2DL3R78KE	80,100	73,380	66,840	60,820	55,160	49,900	45,070	40,580	36,600	29,660
BC*0076M@ACD	2DA3R89KE	97,350	88,820	80,740	73,140	65,880	59,120	52,810	47,020	41,630	32,030
BC*0080M@ACD	3DA3R10ME	116,030	106,360	97,020	88,100	79,710	71,690	64,120	57,130	50,560	38,590
BC*0100M@ACD	3DB3R12ME	131,700	120,950	110,950	101,290	92,050	83,230	75,020	66,980	59,550	46,050
BC*0120M@ACD	3DF3R15ME	145,760	134,660	123,760	113,160	102,660	92,980	83,700	74,970	66,900	52,360
BC*0150M@ACD	3DS3R17ME	178,920	164,500	150,900	137,770	125,080	113,310	101,820	90,830	80,600	61,600

R-407A/R-407F		Capacity BTUH @ 100°F Ambient by SST									
Model	Compressor	+40°F	+35°F	+30°F	+25°F	+20°F	+15°F	+10°F	+5°F	+0°F	-10°F
BC*0050M@ACD	2DC3R53KE	56,300	51,060	46,060	41,440	37,020	33,040	29,430	26,130	23,180	18,240
BC*0051M@ACD	2DD3R63KE	63,120	57,430	52,140	47,130	42,500	38,130	34,140	30,550	27,360	22,170
BC*0075M@ACD	2DL3R78KE	76,570	69,990	63,960	58,240	52,870	47,940	43,310	39,090	35,320	28,930
BC*0076M@ACD	2DA3R89KE	93,360	85,100	77,490	70,070	63,030	56,590	50,510	44,950	39,750	30,440
BC*0080M@ACD	3DA3R10ME	111,100	101,840	92,870	84,250	76,170	68,280	60,980	54,130	47,660	35,710
BC*0100M@ACD	3DB3R12ME	125,840	115,880	105,960	96,670	87,750	79,230	71,210	63,430	56,130	42,580
BC*0120M@ACD	3DF3R15ME	—	128,380	117,970	107,790	97,920	88,280	79,270	70,790	62,710	48,410
BC*0150M@ACD	3DS3R17ME	171,390	157,600	144,670	132,100	119,900	108,510	97,330	86,650	76,490	57,680

**Notes:**

\* H = Outdoor, N = Indoor

@ C = 208-230/3/60, D = 460/3/60, E = 575/3/60

## PERFORMANCE DATA – R-407A/R-407F

Medium Temperature Models - Discus™ Compressors (cont.)

Please consult AWEF table on page 38 to confirm DOE compliance per model

R-407A/R-407F		Capacity BTUH @ 110°F Ambient by SST									
Model	Compressor	+40°F	+35°F	+30°F	+25°F	+20°F	+15°F	+10°F	+5°F	+0°F	-10°F
BC*0050M@ACD	2DC3R53KE	51,180	46,400	41,910	37,590	33,580	29,930	26,660	23,690	21,040	16,680
BC*0051M@ACD	2DD3R63KE	—	—	47,450	42,920	38,720	34,770	31,210	28,020	25,200	20,730
BC*0075M@ACD	2DL3R78KE	—	—	—	53,190	48,400	44,010	39,930	36,240	33,000	27,670
BC*0076M@ACD	2DA3R89KE	84,940	77,640	70,680	63,890	57,540	51,510	45,940	40,810	35,970	27,250
BC*0080M@ACD	3DA3R10ME	—	92,750	84,500	76,490	68,910	61,610	54,540	47,910	41,500	29,730
BC*0100M@ACD	3DB3R12ME	—	—	—	87,180	78,840	70,860	63,210	55,650	48,710	35,350
BC*0120M@ACD	3DF3R15ME	—	—	—	—	—	78,670	70,190	62,260	54,310	40,220
BC*0150M@ACD	3DS3R17ME	—	—	—	120,450	109,330	98,690	88,120	77,890	68,170	49,410

**Notes:**

\* H = Outdoor, N = Indoor

@ C = 208-230/3/60, D = 460/3/60, E = 575/3/60



# PERFORMANCE DATA – R-407C

## Medium Temperature Models - Discus™ Compressors

Please consult AWEF table on page 38 to confirm DOE compliance per model

R-407C		Capacity BTUH @ 90°F Ambient by SST									
Model	Compressor	+40°F	+35°F	+30°F	+25°F	+20°F	+15°F	+10°F	+5°F	+0°F	-10°F
BC*0050M@ACD	2DC3R53KE	57,780	51,970	46,480	41,390	36,630	32,380	28,510	25,040	22,020	17,290
BC*0051M@ACD	2DD3R63KE	65,540	58,940	52,830	47,140	41,950	37,130	32,870	29,080	25,770	20,550
BC*0075M@ACD	2DL3R78KE	79,980	72,320	65,210	58,530	52,340	46,730	41,530	36,880	32,800	26,300
BC*0076M@ACD	2DA3R89KE	95,180	86,060	77,480	69,300	61,730	54,710	48,400	42,670	37,510	29,010
BC*0080M@ACD	3DA3R10ME	111,190	101,710	92,460	83,570	75,140	67,170	59,670	52,760	46,370	35,480
BC*0100M@ACD	3DB3R12ME	128,190	117,670	107,230	97,360	87,910	78,960	70,560	62,630	55,430	42,750
BC*0120M@ACD	3DF3R15ME	144,160	132,710	121,330	110,250	99,550	89,240	79,660	70,740	62,620	48,580
BC*0150M@ACD	3DS3R17ME	172,680	158,620	144,820	131,450	118,640	106,580	95,020	84,170	74,130	56,110

R-407C		Capacity BTUH @ 95°F Ambient by SST									
Model	Compressor	+40°F	+35°F	+30°F	+25°F	+20°F	+15°F	+10°F	+5°F	+0°F	-10°F
BC*0050M@ACD	2DC3R53KE	55,770	50,110	44,760	39,810	35,180	31,050	27,310	23,960	21,070	16,570
BC*0051M@ACD	2DD3R63KE	63,320	56,900	50,950	45,420	40,370	35,760	31,600	27,950	24,760	19,850
BC*0075M@ACD	2DL3R78KE	77,360	70,060	63,040	56,560	50,560	45,120	40,090	35,660	31,800	25,690
BC*0076M@ACD	2DA3R89KE	92,130	83,290	74,930	66,950	59,530	52,780	46,590	41,010	35,980	27,720
BC*0080M@ACD	3DA3R10ME	107,430	98,260	89,310	80,690	72,490	64,640	57,350	50,480	44,170	33,230
BC*0100M@ACD	3DB3R12ME	123,800	113,640	103,530	93,950	84,750	76,020	67,780	60,000	52,740	40,000
BC*0120M@ACD	3DF3R15ME	138,930	127,880	116,880	106,120	95,730	85,660	76,310	67,670	59,430	45,620
BC*0150M@ACD	3DS3R17ME	166,970	153,460	140,150	127,210	114,770	103,030	91,680	80,980	71,050	52,950

R-407C		Capacity BTUH @ 100°F Ambient by SST									
Model	Compressor	+40°F	+35°F	+30°F	+25°F	+20°F	+15°F	+10°F	+5°F	+0°F	-10°F
BC*0050M@ACD	2DC3R53KE	53,810	48,310	43,100	38,230	33,780	29,780	26,130	22,930	20,160	15,890
BC*0051M@ACD	2DD3R63KE	61,140	54,910	49,130	43,770	38,850	34,360	30,380	26,870	23,830	19,200
BC*0075M@ACD	2DL3R78KE	74,800	67,600	60,920	54,640	48,830	43,580	38,780	34,510	30,840	25,130
BC*0076M@ACD	2DA3R89KE	89,150	80,550	72,420	64,640	57,420	50,840	44,780	39,370	34,470	26,430
BC*0080M@ACD	3DA3R10ME	103,650	94,810	86,140	77,760	69,750	62,060	54,910	48,090	41,870	30,860
BC*0100M@ACD	3DB3R12ME	119,370	109,550	99,900	90,420	81,450	72,910	64,810	57,140	49,870	37,070
BC*0120M@ACD	3DF3R15ME	133,640	122,960	112,350	101,900	91,760	81,920	72,760	64,240	56,210	42,140
BC*0150M@ACD	3DS3R17ME	161,260	148,230	135,390	122,880	110,790	99,320	88,110	77,580	67,760	49,620

**Notes:**

\* H = Outdoor, N = Indoor

@ C = 208-230/3/60, D = 460/3/60, E = 575/3/60

## PERFORMANCE DATA – R-407C

Medium Temperature Models - Discus™ Compressors (cont.)

Please consult AWEF table on page 38 to confirm DOE compliance per model

R-407C		Capacity BTUH @ 90°F Ambient by SST									
Model	Compressor	+40°F	+35°F	+30°F	+25°F	+20°F	+15°F	+10°F	+5°F	+0°F	-10°F
BC*0050M@ACD	2DC3R53KE	50,020	44,830	39,960	35,380	31,170	27,390	23,980	21,010	18,470	14,660
BC*0051M@ACD	2DD3R63KE	—	51,080	45,650	40,660	35,960	31,800	28,120	24,890	22,130	18,060
BC*0075M@ACD	2DL3R78KE	—	—	—	50,990	45,580	40,690	36,250	32,400	29,120	—
BC*0076M@ACD	2DA3R89KE	83,320	75,210	67,510	60,150	53,300	47,090	41,370	36,170	31,540	23,910
BC*0080M@ACD	3DA3R10ME	96,150	87,860	79,690	71,830	64,070	56,680	49,570	42,970	36,700	25,390
BC*0100M@ACD	3DB3R12ME	—	—	92,030	83,170	74,440	66,340	58,310	50,670	43,640	30,620
BC*0120M@ACD	3DF3R15ME	—	—	—	93,140	83,480	74,210	65,070	56,600	48,830	—
BC*0150M@ACD	3DS3R17ME	—	—	125,700	113,930	102,440	91,450	80,600	70,350	60,380	—

**Notes:**

\* H = Outdoor, N = Indoor

@ C = 208-230/3/60, D = 460/3/60, E = 575/3/60

# PERFORMANCE DATA – R-404A/R-507A

## Low Temperature Models - Discus™ Compressors

Please consult AWEF table on page 39 to confirm DOE compliance per model

R-404A/R-507A		Capacity BTUH @ 90°F Ambient by SST								
Model	Compressor	+0°F	-5°F	-10°F	-15°F	-20°F	-25°F	-30°F	-35°F	-40°F
BC*0030L@BCD	2DF3F16KE	34,720	31,190	27,800	24,530	21,540	18,730	16,130	13,720	11,510
BC*0040L@BCD	2DL3F20KE	38,770	34,970	31,360	27,850	24,530	21,480	18,630	15,980	13,510
BC*0060L@BCD	2DB3F25KE	45,520	41,220	37,200	33,300	29,560	25,950	22,580	19,380	16,370
BC*0061L@BCD	3DA3F28KE	49,930	45,460	41,030	36,820	32,770	28,930	25,280	21,920	18,800
BC*0075L@BCD	3DB3F33KE	58,360	53,100	48,160	43,330	38,720	34,260	30,010	26,050	22,290
BC*0090L@BCD	3DF3F40KE	76,720	69,450	62,360	55,580	49,230	43,330	37,830	32,740	28,080
BC*0100L@BCD	3DS3F46KE	83,270	75,860	68,790	61,820	55,190	48,850	42,980	37,400	32,190
BC*0120L@BCD	4DBNF54KE	97,570	88,280	79,570	71,140	63,290	55,790	48,690	41,680	34,670
BC*0150L@BCD	4DHNF63KE	111,010	100,980	91,410	82,240	73,570	65,200	57,110	49,370	41,700
BC*0220L@BCD	4DJNF76KE	126,430	116,140	105,810	95,900	86,120	76,550	67,260	57,900	48,980

R-404A/R-507A		Capacity BTUH @ 95°F Ambient by SST								
Model	Compressor	+0°F	-5°F	-10°F	-15°F	-20°F	-25°F	-30°F	-35°F	-40°F
BC*0030L@BCD	2DF3F16KE	33,020	29,660	26,390	23,340	20,440	17,720	15,180	12,840	10,680
BC*0040L@BCD	2DL3F20KE	36,890	33,270	29,820	26,450	23,320	20,370	17,620	15,030	12,660
BC*0060L@BCD	2DB3F25KE	43,290	39,320	35,420	31,700	28,130	24,680	21,450	18,360	15,440
BC*0061L@BCD	3DA3F28KE	47,560	43,330	39,100	35,080	31,210	27,460	23,970	20,710	17,630
BC*0075L@BCD	3DB3F33KE	55,720	50,740	46,050	41,450	37,040	32,730	28,620	24,770	21,080
BC*0090L@BCD	3DF3F40KE	73,480	66,560	59,680	53,300	47,190	41,510	36,190	31,240	26,650
BC*0100L@BCD	3DS3F46KE	79,590	72,570	65,870	59,160	52,810	46,760	41,110	35,710	30,640
BC*0120L@BCD	4DBNF54KE	93,150	84,320	76,040	67,990	60,370	53,140	46,120	39,140	32,200
BC*0150L@BCD	4DHNF63KE	106,100	96,530	87,340	78,640	70,170	62,050	54,190	46,660	39,160
BC*0220L@BCD	4DJNF76KE	—	110,700	100,820	91,270	81,870	72,590	63,410	54,500	45,610

**Notes:**

\* H = Outdoor, N = Indoor models only available as model Rev A

@ C = 208-230/3/60, D = 460/3/60, E = 575/3/60

## PERFORMANCE DATA – R-404A/R-507A

Low Temperature Models - Discus™ Compressors (cont.)

Please consult AWEF table on page 39 to confirm DOE compliance per model

R-404A/R-507A		Capacity BTUH @ 100°F Ambient by SST								
Model	Compressor	+0°F	-5°F	-10°F	-15°F	-20°F	-25°F	-30°F	-35°F	-40°F
BC*0030L@BCD	2DF3F16KE	31,380	28,080	25,020	22,110	19,330	16,710	14,240	11,960	9,830
BC*0040L@BCD	2DL3F20KE	34,990	31,550	28,260	25,060	22,070	19,240	16,600	14,100	11,810
BC*0060L@BCD	2DB3F25KE	—	37,290	33,610	30,080	26,680	23,410	20,330	17,360	14,520
BC*0061L@BCD	3DA3F28KE	—	—	37,210	33,300	29,580	26,040	22,650	19,460	16,430
BC*0075L@BCD	3DB3F33KE	—	—	43,920	39,550	35,270	31,160	27,240	23,460	19,810
BC*0090L@BCD	3DF3F40KE	70,200	63,590	57,120	50,990	45,130	39,670	34,520	29,710	25,240
BC*0100L@BCD	3DS3F46KE	75,830	69,190	62,790	56,380	50,370	44,620	39,120	33,900	28,930
BC*0120L@BCD	4DBNF54KE	88,590	80,280	72,410	64,670	57,330	50,330	43,450	36,540	29,690
BC*0150L@BCD	4DHNF63KE	—	92,130	83,380	75,050	66,870	58,990	51,430	44,100	36,770
BC*0220L@BCD	4DJNF76KE	—	—	—	86,680	77,610	68,540	59,790	50,980	42,220

R-404A/R-507A		Capacity BTUH @ 110°F Ambient by SST								
Model	Compressor	+0°F	-5°F	-10°F	-15°F	-20°F	-25°F	-30°F	-35°F	-40°F
BC*0030L@BCD	2DF3F16KE	—	—	22,290	19,630	17,050	14,610	12,330	10,150	8,070
BC*0040L@BCD	2DL3F20KE	—	—	—	22,290	19,570	16,960	14,530	12,250	10,110
BC*0060L@BCD	2DB3F25KE	—	—	—	—	—	20,910	18,100	15,390	12,770
BC*0061L@BCD	3DA3F28KE	—	—	—	—	—	22,950	19,770	16,730	13,910
BC*0075L@BCD	3DB3F33KE	—	—	—	—	—	28,020	24,380	20,760	17,260
BC*0090L@BCD	3DF3F40KE	—	—	—	46,280	41,000	35,930	31,150	26,610	22,380
BC*0100L@BCD	3DS3F46KE	—	—	—	—	45,220	39,910	34,840	29,910	25,270
BC*0120L@BCD	4DBNF54KE	—	—	—	—	51,000	44,370	37,680	31,070	24,270
BC*0150L@BCD	4DHNF63KE	—	—	—	—	—	53,430	46,440	39,470	32,480
BC*0220L@BCD	4DJNF76KE	—	—	—	—	—	—	52,250	43,760	—

**Notes:**

\* H = Outdoor, N = Indoor models only available as model Rev A

@ C = 208-230/3/60, D = 460/3/60, E = 575/3/60

# PERFORMANCE DATA – R-448A/R-449A

## Low Temperature Models - Discus™ Compressors

Please consult AWEF table on page 39 to confirm DOE compliance per model

R-448A/R-449A		Capacity BTUH @ 90°F Ambient by SST								
Model	Compressor	+0°F	-5°F	-10°F	-15°F	-20°F	-25°F	-30°F	-35°F	-40°F
BC*0030L@BCD	2DF3F16KE	30,170	26,290	22,820	19,700	16,920	14,420	12,210	10,210	8,370
BC*0040L@BCD	2DL3F20KE	34,930	30,890	27,070	23,430	20,110	17,040	14,280	11,880	9,860
BC*0060L@BCD	2DB3F25KE	41,710	36,860	32,450	28,300	24,570	21,140	17,910	14,780	11,760
BC*0061L@BCD	3DA3F28KE	46,610	41,110	36,090	31,430	27,190	23,350	20,020	17,090	14,540
BC*0075L@BCD	3DB3F33KE	55,730	49,480	43,740	38,510	33,570	29,100	25,030	21,120	17,380
BC*0090L@BCD	3DF3F40KE	72,550	63,930	55,960	48,610	42,040	36,080	30,670	25,750	21,280
BC*0100L@BCD	3DS3F46KE	78,190	68,980	60,530	52,660	45,540	39,090	33,260	27,890	22,990
BC*0120L@BCD	4DBNF54KE	92,720	82,620	72,740	63,340	54,530	46,530	39,210	32,590	26,850
BC*0150L@BCD	4DHNF63KE	103,640	93,150	83,080	73,250	63,950	55,420	47,770	40,940	35,040
BC*0220L@BCD	4DJNF76KE	125,150	111,250	98,440	86,630	75,730	65,580	55,760	46,390	36,730

R-448A/R-449A		Capacity BTUH @ 95°F Ambient by SST								
Model	Compressor	+0°F	-5°F	-10°F	-15°F	-20°F	-25°F	-30°F	-35°F	-40°F
BC*0030L@BCD	2DF3F16KE	28,880	25,120	21,790	18,780	16,090	13,670	11,520	9,570	7,760
BC*0040L@BCD	2DL3F20KE	33,480	29,570	25,850	22,380	19,140	16,180	13,510	11,190	9,240
BC*0060L@BCD	2DB3F25KE	40,080	35,380	31,110	27,090	23,420	20,080	16,940	13,890	10,940
BC*0061L@BCD	3DA3F28KE	44,550	39,220	34,370	29,850	25,710	21,990	18,770	15,920	13,430
BC*0075L@BCD	3DB3F33KE	53,460	47,380	41,780	36,670	31,840	27,500	23,480	19,620	15,980
BC*0090L@BCD	3DF3F40KE	69,520	61,160	53,440	46,250	39,880	34,050	28,730	23,880	19,470
BC*0100L@BCD	3DS3F46KE	74,860	66,060	57,720	50,070	43,160	36,850	31,090	25,840	21,050
BC*0120L@BCD	4DBNF54KE	88,540	78,830	69,280	60,170	51,720	43,870	36,700	30,250	24,670
BC*0150L@BCD	4DHNF63KE	99,120	89,040	79,380	69,890	60,980	52,630	45,240	38,610	32,850
BC*0220L@BCD	4DJNF76KE	119,960	106,190	93,800	82,310	71,670	61,640	52,220	42,850	33,380

**Notes:**

\* H = Outdoor, N = Indoor models only available as model Rev A

@ C = 208-230/3/60, D = 460/3/60, E = 575/3/60

## PERFORMANCE DATA – R-448A/R-449A

### Low Temperature Models - Discus™ Compressors (cont.)

Please consult AWEF table on page 39 to confirm DOE compliance per model

R-448A/R-449A		Capacity BTUH @ 100°F Ambient by SST								
Model	Compressor	+0°F	-5°F	-10°F	-15°F	-20°F	-25°F	-30°F	-35°F	-40°F
BC*0030L@BCD	2DF3F16KE	27,610	23,960	20,760	17,860	15,270	12,930	10,840	8,930	7,150
BC*0040L@BCD	2DL3F20KE	31,970	28,170	24,630	21,290	18,180	15,320	12,750	10,520	8,660
BC*0060L@BCD	2DB3F25KE	38,420	33,880	29,690	25,830	22,290	19,050	15,990	13,020	10,160
BC*0061L@BCD	3DA3F28KE	42,470	37,400	32,610	28,310	24,280	20,670	17,510	14,690	12,290
BC*0075L@BCD	3DB3F33KE	51,150	45,240	39,780	34,790	30,150	25,840	21,880	18,110	14,540
BC*0090L@BCD	3DF3F40KE	66,410	58,340	50,810	43,950	37,680	31,980	26,750	21,980	17,630
BC*0100L@BCD	3DS3F46KE	71,430	62,960	54,820	47,460	40,750	34,590	28,930	23,760	19,040
BC*0120L@BCD	4DBNF54KE	84,290	74,940	65,650	56,900	48,740	41,120	34,090	27,800	22,350
BC*0150L@BCD	4DHNF63KE	94,590	84,930	75,640	66,480	57,830	49,870	42,660	36,160	30,600
BC*0220L@BCD	4DJNF76KE	114,500	101,160	89,140	77,980	67,730	57,860	48,560	39,300	30,130

R-448A/R-449A		Capacity BTUH @ 110°F Ambient by SST								
Model	Compressor	+0°F	-5°F	-10°F	-15°F	-20°F	-25°F	-30°F	-35°F	-40°F
BC*0030L@BCD	2DF3F16KE	25,020	21,720	18,740	16,060	13,640	11,460	9,490	7,690	5,980
BC*0040L@BCD	2DL3F20KE	28,850	25,420	22,150	19,070	16,210	13,570	11,230	9,200	7,530
BC*0060L@BCD	2DB3F25KE	34,970	30,790	26,940	23,330	20,030	16,980	14,100	11,340	8,660
BC*0061L@BCD	3DA3F28KE	—	33,560	29,110	25,070	21,250	17,930	14,910	12,260	10,010
BC*0075L@BCD	3DB3F33KE	—	40,910	35,750	30,980	26,460	22,440	18,600	15,020	11,650
BC*0090L@BCD	3DF3F40KE	60,370	52,650	45,610	39,170	33,220	27,720	22,730	18,170	13,880
BC*0100L@BCD	3DS3F46KE	64,690	56,770	49,250	42,260	35,870	29,930	24,530	19,590	14,950
BC*0120L@BCD	4DBNF54KE	75,530	66,900	58,300	50,190	42,470	35,210	28,620	22,660	17,400
BC*0150L@BCD	4DHNF63KE	85,510	76,650	68,100	59,510	51,610	44,140	37,390	31,280	26,060
BC*0220L@BCD	4DJNF76KE	—	—	79,820	69,280	59,520	49,950	41,080	32,240	23,390

#### Notes:

\* H = Outdoor, N = Indoor models only available as model Rev A

@ C = 208-230/3/60, D = 460/3/60, E = 575/3/60

# PERFORMANCE DATA – R-407A/R-407F

## Low Temperature Models - Discus™ Compressors

Please consult AWEF table on page 39 to confirm DOE compliance per model

R-407A/R-407F		Capacity BTUH @ 90°F Ambient by SST								
Model	Compressor	+0°F	-5°F	-10°F	-15°F	-20°F	-25°F	-30°F	-35°F	-40°F
BC*0030L@BCD	2DF3F16KE	30,720	26,810	23,330	20,170	17,340	14,740	12,360	10,140	8,030
BC*0040L@BCD	2DL3F20KE	35,250	31,330	27,510	23,910	20,510	17,350	14,430	11,760	9,410
BC*0060L@BCD	2DB3F25KE	42,080	37,310	32,880	28,770	24,920	21,410	18,150	15,070	12,160
BC*0061L@BCD	3DA3F28KE	46,820	41,470	36,580	31,990	27,690	23,720	20,110	16,630	13,300
BC*0075L@BCD	3DB3F33KE	55,850	49,780	44,160	38,920	34,050	29,410	25,110	20,880	16,660
BC*0090L@BCD	3DF3F40KE	72,680	64,500	56,810	49,500	42,890	36,690	30,930	25,490	20,430
BC*0100L@BCD	3DS3F46KE	77,230	68,550	60,530	53,020	45,900	39,460	33,350	27,510	21,830
BC*0120L@BCD	4DBNF54KE	93,530	83,540	73,940	64,580	55,560	47,270	39,530	32,330	25,840
BC*0150L@BCD	4DHNF63KE	103,910	93,780	83,890	74,320	64,930	56,090	47,880	40,210	33,200
BC*0220L@BCD	4DJNF76KE	117,480	106,250	95,530	85,250	75,540	66,130	57,200	48,330	39,660

R-407A/R-407F		Capacity BTUH @ 95°F Ambient by SST								
Model	Compressor	+0°F	-5°F	-10°F	-15°F	-20°F	-25°F	-30°F	-35°F	-40°F
BC*0030L@BCD	2DF3F16KE	29,270	25,550	22,210	19,190	16,450	13,950	11,640	9,490	7,430
BC*0040L@BCD	2DL3F20KE	33,670	29,900	26,260	22,720	19,480	16,440	13,630	11,060	8,810
BC*0060L@BCD	2DB3F25KE	40,280	35,680	31,450	27,430	23,720	20,350	17,220	14,280	11,510
BC*0061L@BCD	3DA3F28KE	44,640	39,480	34,760	30,320	26,180	22,350	18,790	15,370	12,140
BC*0075L@BCD	3DB3F33KE	53,400	47,530	42,070	37,030	32,180	27,680	23,500	19,350	15,280
BC*0090L@BCD	3DF3F40KE	69,700	61,680	54,130	47,020	40,560	34,520	28,890	23,690	18,840
BC*0100L@BCD	3DS3F46KE	73,890	65,470	57,680	50,300	43,560	37,250	31,330	25,650	20,220
BC*0120L@BCD	4DBNF54KE	89,060	79,480	70,210	61,140	52,580	44,480	36,930	29,970	23,660
BC*0150L@BCD	4DHNF63KE	99,100	89,410	79,930	70,700	61,680	53,140	45,210	37,780	30,980
BC*0220L@BCD	4DJNF76KE	112,180	101,300	91,200	81,500	72,250	63,180	54,600	46,050	37,600

**Notes:**

\* H = Outdoor, N = Indoor models only available as model Rev A

@ C = 208-230/3/60, D = 460/3/60, E = 575/3/60

## PERFORMANCE DATA – R-407A/R-407F

### Low Temperature Models - Discus™ Compressors (cont.)

Please consult AWEF table on page 39 to confirm DOE compliance per model

R-407A/R-407F		Capacity BTUH @ 100°F Ambient by SST								
Model	Compressor	+0°F	-5°F	-10°F	-15°F	-20°F	-25°F	-30°F	-35°F	-40°F
BC*0030L@BCD	2DF3F16KE	27,890	24,300	21,110	18,200	15,570	13,140	10,930	8,840	6,840
BC*0040L@BCD	2DL3F20KE	32,060	28,440	24,910	21,590	18,450	15,520	12,820	10,380	8,230
BC*0060L@BCD	2DB3F25KE	38,440	34,020	29,960	26,050	22,520	19,290	16,300	13,510	10,890
BC*0061L@BCD	3DA3F28KE	42,440	37,470	32,920	28,700	24,660	20,900	17,400	14,100	10,950
BC*0075L@BCD	3DB3F33KE	50,940	45,250	39,950	35,040	30,370	25,990	21,870	17,820	13,870
BC*0090L@BCD	3DF3F40KE	66,750	58,900	51,520	44,540	38,250	32,360	26,910	21,890	17,250
BC*0100L@BCD	3DS3F46KE	70,480	62,480	54,770	47,650	41,130	35,010	29,300	23,840	18,630
BC*0120L@BCD	4DBNF54KE	84,510	75,290	66,400	57,630	49,420	41,590	34,250	27,500	21,400
BC*0150L@BCD	4DHNF63KE	94,270	85,020	75,890	67,070	58,450	50,150	42,490	35,290	28,690
BC*0220L@BCD	4DJNF76KE	106,410	96,140	86,670	77,530	68,780	60,110	51,880	43,620	35,410

R-407A/R-407F		Capacity BTUH @ 110°F Ambient by SST								
Model	Compressor	+0°F	-5°F	-10°F	-15°F	-20°F	-25°F	-30°F	-35°F	-40°F
BC*0030L@BCD	2DF3F16KE	25,170	21,850	18,930	16,260	13,830	11,590	9,520	7,570	5,680
BC*0040L@BCD	2DL3F20KE	28,770	25,380	22,200	19,200	16,340	13,670	11,230	9,040	7,130
BC*0060L@BCD	2DB3F25KE	34,640	30,600	26,860	23,360	20,090	17,170	14,480	12,000	9,710
BC*0061L@BCD	3DA3F28KE	—	33,430	29,190	25,250	21,440	17,990	14,670	11,550	8,530
BC*0075L@BCD	3DB3F33KE	—	40,620	35,620	30,990	26,520	22,440	18,480	14,690	11,000
BC*0090L@BCD	3DF3F40KE	61,050	53,320	46,330	39,810	33,740	28,170	23,050	18,380	14,140
BC*0100L@BCD	3DS3F46KE	63,540	56,040	48,940	42,280	36,230	30,560	25,280	20,260	15,520
BC*0120L@BCD	4DBNF54KE	75,210	66,880	58,580	50,510	42,820	35,430	28,610	22,320	16,510
BC*0150L@BCD	4DHNF63KE	—	76,220	68,020	59,740	51,730	44,130	36,950	30,220	23,940
BC*0220L@BCD	4DJNF76KE	—	—	76,950	68,850	61,140	53,310	45,730	38,180	30,450

#### Notes:

\* H = Outdoor, N = Indoor models only available as model Rev A

@ C = 208-230/3/60, D = 460/3/60, E = 575/3/60



# PERFORMANCE DATA – R-407C

## Low Temperature Models - Discus™ Compressors

Please consult AWEF table on page 39 to confirm DOE compliance per model

R-407C		Capacity BTUH @ 90°F Ambient by SST								
Model	Compressor	+0°F	-5°F	-10°F	-15°F	-20°F	-25°F	-30°F	-35°F	-40°F
BC*0030L@BCD	2DF3F16KE	26,570	23,160	20,110	17,360	14,900	12,710	10,720	8,870	7,100
BC*0040L@BCD	2DL3F20KE	30,760	27,190	23,830	20,660	17,680	14,920	12,430	10,160	8,170
BC*0060L@BCD	2DB3F25KE	37,130	32,760	28,770	25,030	21,650	18,500	15,590	12,910	10,390
BC*0061L@BCD	3DA3F28KE	41,900	36,900	32,290	28,000	24,000	20,330	17,010	13,960	11,260
BC*0075L@BCD	3DB3F33KE	49,790	44,010	38,740	33,800	29,300	25,060	21,240	17,650	14,350
BC*0090L@BCD	3DF3F40KE	64,030	56,580	49,570	42,970	36,740	31,080	25,910	21,220	17,130
BC*0100L@BCD	3DS3F46KE	68,490	60,540	53,000	46,050	39,510	33,510	28,050	22,970	18,380
BC*0120L@BCD	4DBNF54KE	82,720	72,560	63,010	54,310	46,290	39,020	32,490	26,480	21,110
BC*0150L@BCD	4DHNF63KE	92,760	81,950	72,050	62,650	54,240	46,530	39,450	33,040	27,100
BC*0220L@BCD	4DJNF76KE	106,920	94,180	82,860	72,640	63,380	55,020	47,360	39,930	32,610

R-407C		Capacity BTUH @ 95°F Ambient by SST								
Model	Compressor	+0°F	-5°F	-10°F	-15°F	-20°F	-25°F	-30°F	-35°F	-40°F
BC*0030L@BCD	2DF3F16KE	25,530	22,250	19,300	16,650	14,260	12,120	10,140	8,300	6,520
BC*0040L@BCD	2DL3F20KE	29,620	26,140	22,890	19,810	16,890	14,210	11,750	9,540	7,560
BC*0060L@BCD	2DB3F25KE	35,790	31,530	27,630	23,980	20,690	17,590	14,770	12,100	9,620
BC*0061L@BCD	3DA3F28KE	40,100	35,310	30,770	26,610	22,740	19,130	15,910	12,920	10,260
BC*0075L@BCD	3DB3F33KE	47,860	42,170	36,990	32,180	27,730	23,530	19,770	16,310	13,090
BC*0090L@BCD	3DF3F40KE	61,670	54,300	47,430	40,900	34,850	29,330	24,280	19,810	15,880
BC*0100L@BCD	3DS3F46KE	65,820	58,070	50,760	43,930	37,550	31,710	26,420	21,500	17,070
BC*0120L@BCD	4DBNF54KE	79,200	69,330	60,040	51,600	43,770	36,730	30,320	24,480	19,210
BC*0150L@BCD	4DHNF63KE	88,830	78,370	68,760	59,770	51,480	43,930	37,090	30,870	25,090
BC*0220L@BCD	4DJNF76KE	102,420	90,150	79,340	69,530	60,620	52,560	45,080	37,800	30,630

**Notes:**

\* H = Outdoor, N = Indoor models only available as model Rev A

@ C = 208-230/3/60, D = 460/3/60, E = 575/3/60

## PERFORMANCE DATA – R-407C

### Low Temperature Models - Discus™ Compressors (cont.)

Please consult AWEF table on page 39 to confirm DOE compliance per model

R-407C		Capacity BTUH @ 100°F Ambient by SST								
Model	Compressor	+0°F	-5°F	-10°F	-15°F	-20°F	-25°F	-30°F	-35°F	-40°F
BC*0030L@BCD	2DF3F16KE	24,490	21,330	18,470	15,900	13,580	11,460	9,520	7,670	—
BC*0040L@BCD	2DL3F20KE	28,410	25,030	21,880	18,860	16,030	13,420	11,010	8,820	6,860
BC*0060L@BCD	2DB3F25KE	34,350	30,210	26,370	22,860	19,590	16,610	13,810	11,220	8,760
BC*0061L@BCD	3DA3F28KE	38,230	33,590	29,190	25,100	21,340	17,910	14,710	11,840	9,210
BC*0075L@BCD	3DB3F33KE	45,930	40,320	35,230	30,450	26,050	22,030	18,280	14,860	11,730
BC*0090L@BCD	3DF3F40KE	59,230	51,960	45,230	38,810	32,880	27,520	22,600	18,260	14,510
BC*0100L@BCD	3DS3F46KE	62,970	55,330	48,320	41,710	35,480	29,860	24,670	19,970	15,700
BC*0120L@BCD	4DBNF54KE	75,540	65,960	56,910	48,770	41,120	34,290	27,970	22,300	17,190
BC*0150L@BCD	4DHNF63KE	84,840	74,700	65,390	56,570	48,650	41,290	34,700	28,600	23,010
BC*0220L@BCD	4DJNF76KE	97,600	85,850	75,520	66,130	57,620	49,790	42,470	35,490	28,450

R-407C		Capacity BTUH @ 110°F Ambient by SST								
Model	Compressor	+0°F	-5°F	-10°F	-15°F	-20°F	-25°F	-30°F	-35°F	-40°F
BC*0030L@BCD	2DF3F16KE	22,390	19,390	16,700	14,270	12,010	9,950	8,010	—	—
BC*0040L@BCD	2DL3F20KE	25,760	22,610	19,590	16,760	14,060	11,550	9,220	—	—
BC*0060L@BCD	2DB3F25KE	31,120	27,220	23,580	20,230	17,160	14,240	11,560	9,050	—
BC*0061L@BCD	3DA3F28KE	34,300	29,930	25,860	21,980	18,460	15,150	12,140	9,410	—
BC*0075L@BCD	3DB3F33KE	42,070	36,620	31,710	27,080	22,760	18,770	15,180	11,890	—
BC*0090L@BCD	3DF3F40KE	54,120	47,130	40,540	34,390	28,790	23,590	19,000	14,950	11,510
BC*0100L@BCD	3DS3F46KE	56,860	49,680	43,100	36,730	31,020	25,650	20,880	16,500	12,550
BC*0120L@BCD	4DBNF54KE	67,840	58,890	50,470	42,590	35,510	28,930	23,020	17,650	—
BC*0150L@BCD	4DHNF63KE	76,550	67,100	58,260	50,170	42,570	35,690	29,470	23,750	18,480
BC*0220L@BCD	4DJNF76KE	—	76,560	66,850	58,440	50,460	43,140	36,450	29,760	23,180

#### Notes:

\* H = Outdoor, N = Indoor models only available as model Rev A

@ C = 208-230/3/60, D = 460/3/60, E = 575/3/60

# UNIT SPECIFICATIONS

## Medium & Low Temperature Models - Discus™ Compressors

Please consult AWEF table on pages 38-39 to confirm DOE compliance per model

Model	Compressor	Refrigerant Line Connections (OD)		Rec. Capacity @90% full (lbs)		Cabinet	Dimensions (In.)			Net Wt.	Sound Data
		Liquid	Suction	Std	Opt		Depth	Width	Height	(lbs.)	dBa <sup>†</sup>
BC*0050M@ACD	2DC3R53KE	1/2	1 1/8	28	52	C4	36.75	51.75	39.25	751	78
BC*0051M@ACD	2DD3R63KE	1/2	1 1/8	28	52	C4	36.75	51.75	39.25	751	78
BC*0075M@ACD	2DL3R78KE	1/2	1 1/8	28	52	C4	36.75	51.75	39.25	761	78
BC*0076M@ACD	2DA3R89KE	5/8	1 3/8	67	78	C5	36.75	63.75	39.25	985	82
BC*0080M@ACD	3DA3R10ME	5/8	1 3/8	67	78	C5	36.75	63.75	39.25	1,020	82
BC*0100M@ACD	3DB3R12ME	5/8	1 3/8	67	78	C5	36.75	63.75	39.25	1,045	82
BC*0120M@ACD	3DF3R15ME	5/8	1 3/8	67	78	C5	36.75	63.75	39.25	1,065	82
BC*0150M@ACD	3DS3R17ME	7/8	1 5/8	87	98	C6	41.75	75.125	48.75	1,182	81
BC*0030L@BCD	2DF3F16KE	1/2	1 1/8	28	52	C4	36.75	51.75	39.25	737	78
BC*0040L@BCD	2DL3F20KE	1/2	1 1/8	28	52	C4	36.75	51.75	39.25	741	78
BC*0060L@BCD	2DB3F25KE	1/2	1 1/8	28	52	C4	36.75	51.75	39.25	751	78
BC*0061L@BCD	3DA3F28KE	1/2	1 1/8	28	52	C4	36.75	51.75	39.25	781	81
BC*0075L@BCD	3DB3F33KE	1/2	1 1/8	28	52	C4	36.75	51.75	39.25	805	81
BC*0090L@BCD	3DF3F40KE	5/8	1 3/8	67	78	C5	36.75	63.75	39.25	1,030	82
BC*0100L@BCD	3DS3F46KE	5/8	1 3/8	67	78	C5	36.75	63.75	39.25	1,035	82
BC*0120L@BCD	4DBNF54KE	7/8	1 5/8	87	98	C6	41.75	75.125	48.75	1,199	82
BC*0150L@BCD	4DHNF63KE	7/8	1 5/8	87	98	C6	41.75	75.125	48.75	1,234	82
BC*0220L@BCD	4DJNF76KE	7/8	1 5/8	87	98	C6	41.75	75.125	48.75	1,224	82

**Notes:**

\* H = Outdoor, N = Indoor models only available as model Rev A

@ C = 208-230/3/60, D = 460/3/60, E = 575/3/60

† Estimated sound pressure values are 10 feet from the unit. For estimating sound pressure from the unit at different distances, deduct the following from the unit values: 20 feet, deduct 6 dBA; for 40 feet, deduct 12 dBA; for 80 feet, deduct 18 dBA. This data is typical of "free field" conditions for horizontal air cooled condensing units at the outlet of the discharge air. The actual sound measurements may vary depending on the condensing unit installation. Factors such as reflecting walls, background noise and mounting conditions may have a significant influence on this data.

# ELECTRICAL DATA

## Medium Temperature Models - Discus™ Compressors

Please consult AWEF table on page 38 to confirm DOE compliance per model

Model	Compressor	Power <sup>†</sup>	Compressor		Condenser		intelliGen™/ Beacon II		Remote Loads- Low Amps <sup>^</sup>				Remote Loads- High Amps <sup>^</sup>			
			RLA <sup>c</sup>	LRA	No. Fans	FLA (ea)	MCA	MOPD	Evap. Fan Amps	Defrost Htrs. Amps <sup>‡</sup>	Electric Defrost		Evap. Fan Amps	Defrost Htrs. Amps <sup>‡</sup>	Electric Defrost	
											MCA	MOPD			MCA	MOPD
BC*0050MCACD	2DC3R53KE-TFC	208-230/3/60	20.0	120.0	1	2.7	27.7	45.0	—	—	—	—	15	40(1)	50.0	60
BC*0050MDACD	2DC3R53KE-TFD	460/3/60	9.4	60.0	1	1.9	15.0	20.0	—	—	—	—	8	20(1)	25.0	30
BC*0050MEACD	2DC3R53KE-TFE	575/3/60	6.9	49.0	1	1.2	15.0	15.0	—	—	—	—	6.4	16(1)	20.0	20
BC*0051MCACD	2DD3R63KE-TFC	208-230/3/60	20.0	120.0	1	2.7	27.7	45.0	—	—	—	—	15	40(1)	50.0	60
BC*0051MDACD	2DD3R63KE-TFD	460/3/60	9.4	60.0	1	1.9	15.0	20.0	—	—	—	—	8	20(1)	25.0	30
BC*0051MEACD	2DD3R63KE-TFE	575/3/60	7.1	49.0	1	1.2	15.0	15.0	—	—	—	—	6.4	16(1)	20.0	20
BC*0075MCACD	2DL3R78KE-TFC	208-230/3/60	28.3	169.0	1	2.7	38.1	60.0	—	—	—	—	20	48(1)	60.0	80
BC*0075MDACD	2DL3R78KE-TFD	460/3/60	12.4	85.0	1	1.9	20.0	25.0	—	—	—	—	10	25(1)	31.3	35
BC*0075MEACD	2DL3R78KE-TFE	575/3/60	11.9	67.0	1	1.2	20.0	25.0	—	—	—	—	8	20(1)	25.0	35
BC*0076MCACD	2DA3R89KE-TFC	208-230/3/60	28.7	169.0	2	2.7	41.3	70.0	—	—	—	—	20	48(1)	61.3	90
BC*0076MDACD	2DA3R89KE-TFD	460/3/60	12.6	85.0	2	1.9	20.0	30.0	—	—	—	—	10	25(1)	31.3	40
BC*0076MEACD	2DA3R89KE-TFE	575/3/60	11.9	67.0	2	1.2	20.0	25.0	—	—	—	—	8	20(1)	25.3	35
BC*0080MCACD	3DA3R10ME-TFC	208-230/3/60	36.8	215.0	2	2.7	51.4	80.0	—	—	—	—	20	70(2)	87.5	100
BC*0080MDACD	3DA3R10ME-TFD	460/3/60	17.9	106.0	2	1.9	26.2	40.0	—	—	—	—	13	35(1)	43.8	50
BC*0080MEACD	3DA3R10ME-TFE	575/3/60	14.7	84.0	2	1.2	20.8	35.0	—	—	—	—	10.4	28(1)	35.0	45
BC*0100MCACD	3DB3R12ME-TFC	208-230/3/60	39.1	215.0	2	2.7	54.3	90.0	—	—	—	—	20	70(2)	87.5	110
BC*0100MDACD	3DB3R12ME-TFD	460/3/60	17.9	106.0	2	1.9	26.2	40.0	—	—	—	—	13	35(1)	43.8	50
BC*0100MEACD	3DB3R12ME-TFE	575/3/60	14.8	84.0	2	1.2	20.9	35.0	—	—	—	—	10.4	28(1)	35.0	45
BC*0120MCACD	3DF3R15ME-TFC	208-230/3/60	43.2	275.0	2	2.7	59.4	100.0	—	—	—	—	20	70(2)	87.5	110
BC*0120MDACD	3DF3R15ME-TFD	460/3/60	21.2	138.0	2	1.9	30.2	50.0	—	—	—	—	13	35(1)	43.8	60
BC*0150MCACD	3DS3R17ME-TFC	208-230/3/60	53.5	275.0	2	4.4	75.7	125.0	15	70(2)	90.7	125	20	80(2)	100.0	125
BC*0150MDACD	3DS3R17ME-TFD	460/3/60	26.0	138.0	2	2.2	36.9	60.0	15	40(1)	51.9	70	15	60(2)	75.0	80
BC*0150MEACD	3DS3R17ME-TFE	575/3/60	21.2	110.0	2	1.8	30.0	50.0	12	32(1)	42.0	60	12	48(1)	60.0	60

### Notes:

\* H = Outdoor, N = Indoor

Per UL and NEC, RLA values have been calculated by dividing the Maximum Continuous Current (MCC) by 1.56.

<sup>†</sup> Unless otherwise noted, model is available for 50 Hz. Consult factory for details.

<sup>‡</sup> = Number of defrost heater contactors in parentheses

<sup>^</sup> = Two fan large units have ability for a reduced amp electric defrost kit (low amps). Confirm proper defrost kit prior to ordering or installing.

# ELECTRICAL DATA

## Low Temperature Models - Discus™ Compressors

Please consult AWEF table on page 39 to confirm DOE compliance per model

Model	Compressor	Power <sup>1</sup>	Compressor		Condenser		intelliGen™/ Beacon II		Remote Loads- Low Amps <sup>^</sup>				Remote Loads- High Amps <sup>^</sup>			
			RLA <sup>c</sup>	LRA	No. Fans	FLA (ea)	MCA	MOPD	Evap. Fan Amps	Defrost Htrs. Amps <sup>‡</sup>	Electric Defrost		Evap. Fan Amps	Defrost Htrs. Amps <sup>‡</sup>	Electric Defrost	
											MCA	MOPD			MCA	MOPD
BC*0030LCBCD	2DF3F16KE-TFC	208-230/3/60	14.4	102.0	1	2.7	20.6	35.0	—	—	—	—	15	40(1)	50.0	50
BC*0030LDBCD	2DF3F16KE-TFD	460/3/60	7.1	52.0	1	1.9	15.0	15.0	—	—	—	—	8	20(1)	25.0	25
BC*0030LEBCD	2DF3F16KE-TFE	575/3/60	6.0	41.0	1	1.2	15.0	15.0	—	—	—	—	6.4	16(1)	20.0	20
BC*0040LCBCD	2DL3F20KE-TFC	208-230/3/60	23.6	161.0	1	2.7	32.2	50.0	—	—	—	—	15	48(1)	60.0	70
BC*0040LDBCD	2DL3F20KE-TFD	460/3/60	9.2	60.0	1	1.9	15.0	20.0	—	—	—	—	8	25(1)	31.3	35
BC*0040LEBCD	2DL3F20KE-TFE	575/3/60	6.9	49.0	1	1.2	15.0	15.0	—	—	—	—	6.4	20(1)	25.0	25
BC*0060LCBCD	2DB3F25KE-TFC	208-230/3/60	25.3	161.0	1	2.7	34.4	50.0	—	—	—	—	20	60(2)	75.0	80
BC*0060LDBCD	2DB3F25KE-TFD	460/3/60	11.9	80.0	1	1.9	20.0	25.0	—	—	—	—	10	30(1)	37.5	40
BC*0060LEBCD	2DB3F25KE-TFE	575/3/60	8.6	63.0	1	1.2	15.0	20.0	—	—	—	—	8	24(1)	30.0	30
BC*0061LCBCD	3DA3F28KE-TFC	208-230/3/60	24.0	150.0	1	2.7	32.7	50.0	—	—	—	—	20	60(2)	75.0	80
BC*0061LDBCD	3DA3F28KE-TFD	460/3/60	10.8	77.0	1	1.9	20.0	25.0	—	—	—	—	10	30(1)	37.5	40
BC*0061LEBCD	3DA3F28KE-TFE	575/3/60	9.4	62.0	1	1.2	15.0	20.0	—	—	—	—	8	24(1)	30.0	30
BC*0075LCBCD	3DB3F33KE-TFC	208-230/3/60	27.6	161.0	1	2.7	37.2	60.0	—	—	—	—	20	60(2)	75.0	80
BC*0075LDBCD	3DB3F33KE-TFD	460/3/60	14.1	83.0	1	1.9	20.0	30.0	—	—	—	—	10	30(1)	37.5	40
BC*0075LEBCD	3DB3F33KE-TFE	575/3/60	9.9	67.0	1	1.2	15.0	20.0	—	—	—	—	8	24(1)	30.0	30
BC*0090LCBCD	3DF3F40KE-TFC	208-230/3/60	33.2	215.0	2	2.7	46.9	80.0	—	—	—	—	20	70(2)	87.5	100
BC*0090LDBCD	3DF3F40KE-TFD	460/3/60	15.0	106.0	2	1.9	22.6	35.0	—	—	—	—	13	35(1)	43.8	50
BC*0090LEBCD	3DF3F40KE-TFE	575/3/60	14.1	84.0	2	1.2	20.0	30.0	—	—	—	—	10.4	28(1)	35.0	40
BC*0100LCBCD	3DS3F46KE-TFC	208-230/3/60	37.2	215.0	2	2.7	51.9	80.0	—	—	—	—	20	70(2)	87.5	100
BC*0100LDBCD	3DS3F46KE-TFD	460/3/60	16.7	106.0	2	1.9	24.6	40.0	—	—	—	—	13	35(1)	43.8	50
BC*0100LEBCD	3DS3F46KE-TFE	575/3/60	14.6	84.0	2	1.2	20.6	35.0	—	—	—	—	10.4	28(1)	35.0	45
BC*0120LCBCD	4DBNF54KE-TSK	208-230/3/60	46.0	220.0	2	4.4	66.3	110.0	15	40(1)	81.3	125	20	70(2)	87.5	125
BC*0120LDBCD	4DBNF54KE-TSK	460/3/60	23.0	110.0	2	2.2	33.2	50.0	15	25(1)	48.2	70	15	40(1)	50.0	70
BCH0120LEBCD	4DBNF54KE-TSE	575/3/60	15.6	106.0	2	3.4	22.9	35.0	12	20	34.9	50	12	32	40.0	50
BC*0150LCBCD	4DHNF63KE-TSK	208-230/3/60	47.2	278.0	2	4.4	67.8	110.0	15	48(1)	82.8	125	25	70(2)	92.8	125
BC*0150LDBCD	4DHNF63KE-TSK	460/3/60	23.6	139.0	2	2.2	33.9	50.0	15	25(1)	48.9	70	15	40(1)	50.0	70
BCH0150LEBCD	4DHNF63KE-TSE	575/3/60	18.8	113.0	2	3.4	26.9	45.0	12	20	38.9	50	12	32	40.0	50
BC*0220LCBCD	4DJNF76KE-TSK	208-230/3/60	57.7	374.0	2	4.4	80.9	125.0	15	48(1)	95.9	150	25	70(2)	105.9	150
BC*0220LDBCD	4DJNF76KE-TSK	460/3/60	28.8	187.0	2	2.2	40.5	60.0	15	25(1)	55.5	80	15	48(1)	60.0	80
BCH0220LEBCD	4DJN764KE-TSE	575/3/60	26.1	135.0	2	3.4	36.0	60.0	12	20	48.0	70	12	38	48.0	70

**Notes:**

\* H = Outdoor, N = Indoor models only available as model Rev A  
 Per UL and NEC, RLA values have been calculated by dividing the Maximum Continuous Current (MCC) by 1.56.  
 † Unless otherwise noted, model is available for 50 Hz. Consult factory for details.  
 ‡ = Number of defrost heater contactors in parentheses  
 ^ = Two fan large units have ability for a reduced amp electric defrost kit (low amps). Confirm proper defrost kit prior to ordering or installing.

## AWEF DATA – MEDIUM TEMPERATURE

### Discus™ Compressor Models - Indoor/Outdoor

If model has a numerical value in the table below, the following statement applies:

This refrigeration system is designed and certified for use in walk-in cooler applications.

Model	Indoor						Outdoor					
	R-404A/ R-507A	R-448A	R-449A	R-407A	R-407C	R-407F	R-404A/ R-507A	R-448A	R-449A	R-407A	R-407C	R-407F
BC*0050MCACD	5.61	5.61	5.61	5.61	5.61	5.61	7.60	7.60	7.60	7.60	7.60	7.60
BC*0050MDACD	5.61	5.61	5.61	5.61	5.61	5.61	7.60	7.60	7.60	7.60	7.60	7.60
BC*0050MEACD	5.61	5.61	5.61	5.61	5.61	5.61	7.60	7.60	7.60	7.60	7.60	7.60
BC*0051MCACD	5.61	5.61	5.61	5.61	5.61	5.61	7.60	7.60	7.60	7.60	7.60	7.60
BC*0051MDACD	5.61	5.61	5.61	5.61	5.61	5.61	7.60	7.60	7.60	7.60	7.60	7.60
BC*0051MEACD	5.61	5.61	5.61	5.61	5.61	5.61	7.60	7.60	7.60	7.60	7.60	7.60
BC*0075MCACD	5.61	5.61	5.61	5.61	5.61	5.61	7.60	7.60	7.60	7.60	7.60	7.60
BC*0075MDACD	5.61	5.61	5.61	5.61	5.61	5.61	7.60	7.60	7.60	7.60	7.60	7.60
BC*0075MEACD	5.61	5.61	5.61	5.61	5.61	5.61	7.60	7.60	7.60	7.60	7.60	7.60
BC*0076MCACD	5.61	5.61	5.61	5.61	5.61	5.61	7.60	7.60	7.60	7.60	7.60	7.60
BC*0076MDACD	5.61	5.61	5.61	5.61	5.61	5.61	7.60	7.60	7.60	7.60	7.60	7.60
BC*0076MEACD	5.61	5.61	5.61	5.61	5.61	5.61	7.60	7.60	7.60	7.60	7.60	7.60
BC*0080MCACD	5.61	5.61	5.61	5.61	5.61	5.61	7.60	7.60	7.60	7.60	7.60	7.60
BC*0080MDACD	5.61	5.61	5.61	5.61	5.61	5.61	7.60	7.60	7.60	7.60	7.60	7.60
BC*0080MEACD	5.61	5.61	5.61	5.61	5.61	5.61	7.60	7.60	7.60	7.60	7.60	7.60
BC*0100MCACD	5.61	5.61	5.61	5.61	5.61	5.61	7.60	7.60	7.60	7.60	7.60	7.60
BC*0100MDACD	5.61	5.61	5.61	5.61	5.61	5.61	7.60	7.60	7.60	7.60	7.60	7.60
BC*0100MEACD	5.61	5.61	5.61	5.61	5.61	5.61	7.60	7.60	7.60	7.60	7.60	7.60
BC*0120MCACD	—	5.61	5.61	—	5.61	5.61	7.60	7.60	7.60	7.60	7.60	7.60
BC*0120MDACD	—	5.61	5.61	—	5.61	5.61	7.60	7.60	7.60	7.60	7.60	7.60
BC*0120MEACD	X	X	X	X	X	X	X	X	X	X	X	X
BC*0150MCACD	—	5.61	5.61	5.61	5.61	5.61	7.60	7.60	7.60	7.60	7.60	7.60
BC*0150MDACD	—	5.61	5.61	5.61	5.61	5.61	7.60	7.60	7.60	7.60	7.60	7.60
BC*0150MEACD	—	5.61	5.61	5.61	5.61	5.61	7.60	7.60	7.60	7.60	7.60	7.60

#### Notes:

\* H = Outdoor, N = Indoor

X = model not suitable for this refrigerant

— = model is not DOE AWEF compliant

If model has a numerical value in the table, the following statement applies. "This refrigeration system is designed and certified for use in walk-in cooler applications."

# AWEF DATA – LOW TEMPERATURE

## Discus™ Compressor Models - Indoor/Outdoor

If model has a numerical value in the table below, the following statement applies:

This refrigeration system is designed and certified for use in walk-in freezer applications.

Model	Indoor						Outdoor					
	R-404A/ R-507A	R-448A	R-449A	R-407A	R-407C	R-407F	R-404A/ R-507A	R-448A	R-449A	R-407A	R-407C	R-407F
BC*0030LCBCD	2.40	2.40	2.40	2.40	2.40	2.40	3.15	3.15	3.15	3.15	3.15	3.15
BC*0030LDBCD	2.40	2.40	2.40	2.40	2.40	2.40	3.15	3.15	3.15	3.15	3.15	3.15
BC*0030LEBCD	2.40	2.40	2.40	2.40	2.40	2.40	3.15	3.15	3.15	3.15	3.15	3.15
BC*0040LCBCD	2.40	2.40	2.40	2.40	2.40	2.40	3.15	3.15	3.15	3.15	3.15	3.15
BC*0040LDBCD	2.40	2.40	2.40	2.40	2.40	2.40	3.15	3.15	3.15	3.15	3.15	3.15
BC*0040LEBCD	2.40	2.40	2.40	2.40	2.40	2.40	3.15	3.15	3.15	3.15	3.15	3.15
BC*0060LCBCD	2.40	2.40	2.40	2.40	2.40	2.40	3.15	3.15	3.15	3.15	3.15	3.15
BC*0060LDBCD	2.40	2.40	2.40	2.40	2.40	2.40	3.15	3.15	3.15	3.15	3.15	3.15
BC*0060LEBCD	2.40	2.40	2.40	2.40	2.40	2.40	3.15	3.15	3.15	3.15	3.15	3.15
BC*0061LCBCD	2.40	2.40	2.40	—	2.40	2.40	3.15	3.15	3.15	3.15	3.15	3.15
BC*0061LDBCD	2.40	2.40	2.40	—	2.40	2.40	3.15	3.15	3.15	3.15	3.15	3.15
BC*0061LEBCD	2.40	2.40	2.40	—	2.40	2.40	3.15	3.15	3.15	3.15	3.15	3.15
BC*0075LCBCD	2.40	2.40	2.40	2.40	2.40	2.40	3.15	3.15	3.15	3.15	3.15	3.15
BC*0075LDBCD	2.40	2.40	2.40	2.40	2.40	2.40	3.15	3.15	3.15	3.15	3.15	3.15
BC*0075LEBCD	2.40	2.40	2.40	2.40	2.40	2.40	3.15	3.15	3.15	3.15	3.15	3.15
BC*0090LCBCD	2.40	2.40	2.40	2.40	2.40	2.40	3.15	3.15	3.15	3.15	3.15	3.15
BC*0090LDBCD	2.40	2.40	2.40	2.40	2.40	2.40	3.15	3.15	3.15	3.15	3.15	3.15
BC*0090LEBCD	2.40	2.40	2.40	2.40	2.40	2.40	3.15	3.15	3.15	3.15	3.15	3.15
BC*0100LCBCD	2.40	—	—	—	2.40	2.40	3.15	3.15	3.15	3.15	3.15	3.15
BC*0100LDBCD	2.40	—	—	—	2.40	2.40	3.15	3.15	3.15	3.15	3.15	3.15
BC*0100LEBCD	2.40	—	—	—	2.40	2.40	3.15	3.15	3.15	3.15	3.15	3.15
BC*0120LCBCD	2.40	2.40	2.40	2.40	2.40	2.40	3.15	3.15	3.15	3.15	3.15	3.15
BC*0120LDBCD	2.40	2.40	2.40	2.40	2.40	2.40	3.15	3.15	3.15	3.15	3.15	3.15
BC*0120LEBCD	—	—	—	—	—	—	—	—	—	—	—	—
BC*0150LCBCD	2.40	2.40	2.40	2.40	2.40	2.40	3.15	3.15	3.15	3.15	3.15	3.15
BC*0150LDBCD	2.40	2.40	2.40	2.40	2.40	2.40	3.15	3.15	3.15	3.15	3.15	3.15
BC*0150LEBCD	—	—	—	—	—	—	—	—	—	—	—	—
BC*0220LCBCD	2.40	2.40	2.40	2.40	2.40	2.40	3.15	3.15	3.15	3.15	3.15	3.15
BC*0220LDBCD	2.40	2.40	2.40	2.40	2.40	2.40	3.15	3.15	3.15	3.15	3.15	3.15
BC*0220LEBCD	—	—	—	—	—	—	—	—	—	—	—	—

**Notes:**

\* H = Outdoor, N = Indoor models only available as model Rev A

X = model not suitable for this refrigerant

— = model is not DOE AWEF compliant

If model has a numerical value in the table, the following statement applies. "This refrigeration system is designed and certified for use in walk-in freezer applications."

## PERFORMANCE DATA – R-404A/R-507A

### Medium Temperature Models - Semi-Hermetic Compressors

Please consult AWEF table on page 54 to confirm DOE compliance per model

R-404A/R-507A		Capacity BTUH @ 90°F Ambient by SST									
Model	Compressor	+40°F	+35°F	+30°F	+25°F	+20°F	+15°F	+10°F	+5°F	+0°F	-10°F
BC*0056M@ABX	4EES-6	86,590	79,740	73,220	66,700	60,620	54,830	49,460	44,350	39,610	31,210
BC*0076M@ABX	4DES-7	103,230	95,180	87,350	79,900	72,530	65,710	59,250	53,300	47,690	37,730
BC*0091M@ABX	4CES-9	130,970	120,260	109,980	99,890	90,490	81,620	73,390	65,660	58,520	45,940
BC*0101M@ABX	4VES-10	136,530	125,260	114,510	103,830	93,750	84,280	75,520	67,280	59,660	46,230

R-404A/R-507A		Capacity BTUH @ 95°F Ambient by SST									
Model	Compressor	+40°F	+35°F	+30°F	+25°F	+20°F	+15°F	+10°F	+5°F	+0°F	-10°F
BC*0056M@ABX	4EES-6	82,280	75,880	69,670	63,460	57,680	52,260	47,070	42,220	37,710	29,690
BC*0076M@ABX	4DES-7	98,290	90,690	83,240	76,150	69,220	62,640	56,560	50,810	45,460	35,930
BC*0091M@ABX	4CES-9	125,070	114,860	105,060	95,440	86,430	78,020	70,050	62,650	55,790	43,700
BC*0101M@ABX	4VES-10	130,000	119,280	109,010	98,750	89,180	80,260	71,790	63,900	56,600	43,690

R-404A/R-507A		Capacity BTUH @ 100°F Ambient by SST									
Model	Compressor	+40°F	+35°F	+30°F	+25°F	+20°F	+15°F	+10°F	+5°F	+0°F	-10°F
BC*0056M@ABX	4EES-6	78,060	72,130	66,060	60,240	54,800	49,580	44,670	40,070	35,780	28,130
BC*0076M@ABX	4DES-7	93,340	86,140	79,090	72,300	65,730	59,540	53,780	48,300	43,210	34,130
BC*0091M@ABX	4CES-9	119,080	109,610	100,070	91,080	82,340	74,320	66,710	59,620	53,040	41,470
BC*0101M@ABX	4VES-10	123,410	113,260	103,450	93,880	84,630	76,130	68,060	60,530	53,520	41,200

R-404A/R-507A		Capacity BTUH @ 110°F Ambient by SST									
Model	Compressor	+40°F	+35°F	+30°F	+25°F	+20°F	+15°F	+10°F	+5°F	+0°F	-10°F
BC*0056M@ABX	4EES-6	69,480	64,150	58,760	53,690	48,820	44,200	39,820	35,710	31,870	25,000
BC*0076M@ABX	4DES-7	83,320	76,980	70,760	64,750	58,770	53,370	48,140	43,230	38,640	30,440
BC*0091M@ABX	4CES-9	106,950	98,480	90,020	81,800	74,160	66,860	59,970	53,510	47,560	37,010
BC*0101M@ABX	4VES-10	110,150	101,350	92,320	83,680	75,630	67,910	60,620	53,780	47,480	36,300

#### Notes:

\* H = Outdoor, N = Indoor

@ C = 208-230/3/60, D = 460/3/60, E = 575/3/60



# PERFORMANCE DATA – R-448A/R-449A

## Medium Temperature Models - Semi-Hermetic Compressors

Please consult AWEF table on page 54 to confirm DOE compliance per model

R-448A/R-449A		Capacity BTUH @ 90°F Ambient by SST									
Model	Compressor	+40°F	+35°F	+30°F	+25°F	+20°F	+15°F	+10°F	+5°F	+0°F	-10°F
BC*0056M@ABX	4EES-6	86,830	78,910	71,280	64,100	57,430	51,260	45,610	40,390	35,610	27,320
BC*0076M@ABX	4DES-7	101,730	92,350	83,520	75,030	67,270	60,030	53,390	47,270	41,670	31,910
BC*0091M@ABX	4CES-9	128,860	116,720	105,250	94,560	84,580	75,440	67,060	59,370	52,370	40,280
BC*0101M@ABX	4VES-10	134,350	121,660	109,420	97,990	87,330	77,550	68,630	60,430	52,960	40,090

R-448A/R-449A		Capacity BTUH @ 95°F Ambient by SST									
Model	Compressor	+40°F	+35°F	+30°F	+25°F	+20°F	+15°F	+10°F	+5°F	+0°F	-10°F
BC*0056M@ABX	4EES-6	83,610	75,950	68,560	61,660	55,160	49,190	43,730	38,670	34,060	26,040
BC*0076M@ABX	4DES-7	97,870	88,830	80,290	72,110	64,580	57,570	51,160	45,200	39,810	30,400
BC*0091M@ABX	4CES-9	124,180	112,450	101,340	91,030	81,350	72,490	64,390	56,950	50,170	38,490
BC*0101M@ABX	4VES-10	129,050	116,800	104,970	93,960	83,640	74,280	65,590	57,660	50,470	38,040

R-448A/R-449A		Capacity BTUH @ 100°F Ambient by SST									
Model	Compressor	+40°F	+35°F	+30°F	+25°F	+20°F	+15°F	+10°F	+5°F	+0°F	-10°F
BC*0056M@ABX	4EES-6	80,380	72,990	65,840	59,200	52,890	47,160	41,840	36,960	32,510	24,780
BC*0076M@ABX	4DES-7	94,010	85,310	77,070	69,240	61,890	55,120	48,920	43,200	37,980	28,900
BC*0091M@ABX	4CES-9	119,340	108,170	97,370	87,430	78,130	69,560	61,730	54,530	47,990	36,690
BC*0101M@ABX	4VES-10	123,760	111,950	100,540	89,860	79,960	70,940	62,570	54,930	47,990	36,020

R-448A/R-449A		Capacity BTUH @ 110°F Ambient by SST									
Model	Compressor	+40°F	+35°F	+30°F	+25°F	+20°F	+15°F	+10°F	+5°F	+0°F	-10°F
BC*0056M@ABX	4EES-6	74,030	67,050	60,370	54,180	48,380	43,080	38,130	33,590	29,460	22,280
BC*0076M@ABX	4DES-7	86,320	78,390	70,640	63,430	56,520	50,320	44,520	39,210	34,360	25,940
BC*0091M@ABX	4CES-9	110,110	99,630	89,730	80,370	71,710	63,810	56,470	49,760	43,680	33,180
BC*0101M@ABX	4VES-10	113,230	102,310	91,820	81,880	72,780	64,370	56,610	49,530	43,100	32,030

**Notes:**

\* H = Outdoor, N = Indoor

@ C = 208-230/3/60, D = 460/3/60, E = 575/3/60

## PERFORMANCE DATA – R-407A/R-407F

### Medium Temperature Models - Semi-Hermetic Compressors

Please consult AWEF table on page 54 to confirm DOE compliance per model

R-407A/R-407F		Capacity BTUH @ 90°F Ambient by SST									
Model	Compressor	+40°F	+35°F	+30°F	+25°F	+20°F	+15°F	+10°F	+5°F	+0°F	-10°F
BC*0056M@ABX	4EES-6	87,950	80,050	72,420	65,220	58,510	52,280	46,550	41,220	36,350	27,800
BC*0076M@ABX	4DES-7	102,770	93,490	84,750	76,300	68,510	61,130	54,420	48,180	42,460	32,440
BC*0091M@ABX	4CES-9	130,480	118,640	107,100	96,430	86,380	77,140	68,630	60,780	53,590	41,100
BC*0101M@ABX	4VES-10	134,730	122,280	110,300	99,100	88,650	78,920	69,980	61,670	54,050	40,720

R-407A/R-407F		Capacity BTUH @ 95°F Ambient by SST									
Model	Compressor	+40°F	+35°F	+30°F	+25°F	+20°F	+15°F	+10°F	+5°F	+0°F	-10°F
BC*0056M@ABX	4EES-6	84,370	76,830	69,470	62,480	56,050	50,090	44,510	39,380	34,680	26,440
BC*0076M@ABX	4DES-7	98,580	89,670	81,220	73,010	65,510	58,460	52,000	45,990	40,480	30,800
BC*0091M@ABX	4CES-9	125,380	113,770	102,870	92,560	82,880	73,950	65,750	58,170	51,230	39,180
BC*0101M@ABX	4VES-10	129,140	117,030	105,700	94,800	84,730	75,430	66,720	58,720	51,380	38,520

R-407A/R-407F		Capacity BTUH @ 100°F Ambient by SST									
Model	Compressor	+40°F	+35°F	+30°F	+25°F	+20°F	+15°F	+10°F	+5°F	+0°F	-10°F
BC*0056M@ABX	4EES-6	80,860	73,600	66,510	59,900	53,630	47,840	42,480	37,540	33,000	25,060
BC*0076M@ABX	4DES-7	94,410	85,840	77,720	69,860	62,590	55,820	49,600	43,810	38,500	29,190
BC*0091M@ABX	4CES-9	120,190	109,230	98,630	88,750	79,360	70,760	62,860	55,560	48,870	37,270
BC*0101M@ABX	4VES-10	123,500	112,060	100,980	90,650	80,810	71,850	63,480	55,770	48,710	36,340

R-407A/R-407F		Capacity BTUH @ 110°F Ambient by SST									
Model	Compressor	+40°F	+35°F	+30°F	+25°F	+20°F	+15°F	+10°F	+5°F	+0°F	-10°F
BC*0056M@ABX	4EES-6	73,830	67,140	60,560	54,420	48,670	43,410	38,460	33,880	29,700	22,370
BC*0076M@ABX	4DES-7	86,050	78,190	70,720	63,600	56,790	50,630	44,840	39,490	34,590	26,010
BC*0091M@ABX	4CES-9	110,160	99,910	90,110	80,970	72,370	64,490	57,140	50,380	44,200	33,470
BC*0101M@ABX	4VES-10	112,160	101,720	91,520	81,950	73,060	64,740	57,020	49,920	43,400	32,010

#### Notes:

\* H = Outdoor, N = Indoor

@ C = 208-230/3/60, D = 460/3/60, E = 575/3/60

35°F Max Superheat

# PERFORMANCE DATA – R-407C

## Medium Temperature Models - Semi-Hermetic Compressors

Please consult AWEF table on page 54 to confirm DOE compliance per model

R-407C		Capacity BTUH @ 90°F Ambient by SST									
Model	Compressor	+40°F	+35°F	+30°F	+25°F	+20°F	+15°F	+10°F	+5°F	+0°F	-10°F
BC*0056M@ABX	4EES-6	78,590	71,180	64,000	57,360	51,250	45,550	40,240	35,380	30,920	23,020
BC*0076M@ABX	4DES-7	92,790	84,080	75,890	68,110	60,840	54,170	47,930	42,210	36,990	27,660
BC*0091M@ABX	4CES-9	117,300	106,200	95,590	85,660	76,570	68,150	60,370	53,200	46,650	35,090
BC*0101M@ABX	4VES-10	122,430	110,830	99,540	89,230	79,670	70,810	62,570	55,020	48,080	35,740

R-407C		Capacity BTUH @ 95°F Ambient by SST									
Model	Compressor	+40°F	+35°F	+30°F	+25°F	+20°F	+15°F	+10°F	+5°F	+0°F	-10°F
BC*0056M@ABX	4EES-6	75,620	68,350	61,550	55,100	49,150	43,660	38,540	33,850	29,560	21,910
BC*0076M@ABX	4DES-7	89,120	80,750	72,850	65,300	58,390	51,960	45,940	40,470	35,390	26,370
BC*0091M@ABX	4CES-9	112,850	102,150	91,980	82,370	73,620	65,500	57,960	51,070	44,750	33,570
BC*0101M@ABX	4VES-10	117,680	106,460	95,690	85,570	76,370	67,830	59,860	52,570	45,870	33,970

R-407C		Capacity BTUH @ 100°F Ambient by SST									
Model	Compressor	+40°F	+35°F	+30°F	+25°F	+20°F	+15°F	+10°F	+5°F	+0°F	-10°F
BC*0056M@ABX	4EES-6	72,500	65,510	58,880	52,770	47,050	41,720	36,820	32,310	28,190	20,790
BC*0076M@ABX	4DES-7	85,480	77,430	69,730	62,560	55,930	49,700	43,940	38,670	33,790	25,090
BC*0091M@ABX	4CES-9	108,410	98,100	88,250	79,150	70,670	62,850	55,580	48,940	42,840	32,020
BC*0101M@ABX	4VES-10	112,920	102,080	91,710	82,010	73,060	64,820	57,120	50,110	43,700	32,210

R-407C		Capacity BTUH @ 110°F Ambient by SST									
Model	Compressor	+40°F	+35°F	+30°F	+25°F	+20°F	+15°F	+10°F	+5°F	+0°F	-10°F
BC*0056M@ABX	4EES-6	66,280	59,890	53,780	48,120	42,860	37,930	33,410	29,270	25,430	18,570
BC*0076M@ABX	4DES-7	78,220	70,910	63,760	57,200	51,020	45,250	39,950	35,050	30,570	22,490
BC*0091M@ABX	4CES-9	99,640	90,000	80,930	72,580	64,760	57,490	50,800	44,660	39,030	28,940
BC*0101M@ABX	4VES-10	103,530	93,190	83,560	74,710	66,410	58,700	51,630	45,150	39,250	28,650

**Notes:**

\* H = Outdoor, N = Indoor

@ C = 208-230/3/60, D = 460/3/60, E = 575/3/60

## PERFORMANCE DATA – R-404A/R-507A

### Low Temperature Models - Semi-Hermetic Compressors

Please consult AWEF table on page 55 to confirm DOE compliance per model

R-404A/R-507A		Capacity BTUH @ 90°F Ambient by SST								
Model	Compressor	+0°F	-5°F	-10°F	-15°F	-20°F	-25°F	-30°F	-35°F	-40°F
BC*0041L@BBX	4EES-4	36,520	32,870	29,430	26,160	23,060	20,250	17,630	15,200	12,940
BC*0056L@BBX	4DES-5	43,240	38,970	34,810	30,930	27,370	24,030	20,950	18,070	15,390
BC*0061L@BBX	4CES-6	54,020	48,340	42,940	37,970	33,350	29,110	25,190	21,590	18,280
BC*0062L@BBX	4VES-7	54,370	48,410	42,710	37,500	32,640	28,110	24,010	20,230	16,780
BC*0076L@BBX	4TES-9	66,300	59,220	52,450	46,320	40,580	35,260	30,340	25,820	21,640
BC*0101L@BBX	4PES-12	74,260	66,200	58,430	51,390	44,770	38,590	32,970	27,790	23,040
BC*0121L@BBX	4NES-14	93,290	82,960	73,480	64,610	56,430	48,890	41,970	35,660	29,870
BC*0131L@BBX	4JE-15	106,830	95,800	85,310	75,320	66,230	57,690	49,780	42,400	35,590

R-404A/R-507A		Capacity BTUH @ 95°F Ambient by SST								
Model	Compressor	+0°F	-5°F	-10°F	-15°F	-20°F	-25°F	-30°F	-35°F	-40°F
BC*0041L@BBX	4EES-4	34,650	31,190	27,910	24,790	21,910	19,210	16,710	14,370	12,220
BC*0056L@BBX	4DES-5	41,050	36,990	33,060	29,350	25,970	22,790	19,840	17,090	14,540
BC*0061L@BBX	4CES-6	51,380	45,930	40,770	36,020	31,620	27,550	23,790	20,360	17,190
BC*0062L@BBX	4VES-7	51,480	45,690	40,320	35,360	30,720	26,390	22,470	18,850	15,560
BC*0076L@BBX	4TES-9	62,850	56,050	49,640	43,810	38,320	33,240	28,530	24,200	20,230
BC*0101L@BBX	4PES-12	70,300	62,390	55,180	48,370	41,990	36,140	30,790	25,870	21,320
BC*0121L@BBX	4NES-14	88,320	78,520	69,530	61,070	53,220	45,990	39,420	33,390	27,860
BC*0131L@BBX	4JE-15	101,480	90,960	80,850	71,480	62,670	54,470	46,920	39,830	33,300

R-404A/R-507A		Capacity BTUH @ 100°F Ambient by SST								
Model	Compressor	+0°F	-5°F	-10°F	-15°F	-20°F	-25°F	-30°F	-35°F	-40°F
BC*0041L@BBX	4EES-4	32,750	29,540	26,380	23,430	20,720	18,150	15,780	13,550	11,490
BC*0056L@BBX	4DES-5	38,850	34,930	31,250	27,810	24,560	21,540	18,740	16,110	13,690
BC*0061L@BBX	4CES-6	48,720	43,500	38,580	34,090	29,880	26,000	22,410	19,140	16,120
BC*0062L@BBX	4VES-7	48,600	43,080	38,030	33,250	28,770	24,680	20,940	17,520	14,370
BC*0076L@BBX	4TES-9	59,350	52,880	46,930	41,300	36,070	31,180	26,730	22,610	18,820
BC*0101L@BBX	4PES-12	66,150	58,650	51,840	45,360	39,270	33,710	28,610	23,940	19,620
BC*0121L@BBX	4NES-14	83,530	74,200	65,550	57,390	49,960	43,130	36,880	31,130	25,890
BC*0131L@BBX	4JE-15	96,130	85,960	76,440	67,540	59,050	51,300	44,010	37,280	31,030

#### Notes:

\* H = Outdoor, N = Indoor models only available as model Rev A

@ C = 208-230/3/60, D = 460/3/60, E = 575/3/60

# PERFORMANCE DATA – R-404A/R-507A

## Low Temperature Models - Semi-Hermetic Compressors (cont.)

Please consult AWEF table on page 55 to confirm DOE compliance per model

R-404A/R-507A		Capacity BTUH @ 110°F Ambient by SST								
Model	Compressor	+0°F	-5°F	-10°F	-15°F	-20°F	-25°F	-30°F	-35°F	-40°F
BC*0041L@BBX	4EES-4	28,940	26,100	23,320	20,750	18,310	16,020	13,870	11,880	10,040
BC*0056L@BBX	4DES-5	34,410	30,950	27,680	24,630	21,740	19,030	16,500	14,160	11,980
BC*0061L@BBX	4CES-6	43,450	38,680	34,350	30,250	26,450	22,910	19,700	16,740	14,040
BC*0062L@BBX	4VES-7	42,910	37,910	33,390	29,080	25,020	21,330	17,950	14,860	12,020
BC*0076L@BBX	4TES-9	52,520	46,670	41,390	36,320	31,560	27,190	23,170	19,460	16,060
BC*0101L@BBX	4PES-12	57,920	51,410	45,240	39,320	33,920	28,930	24,390	20,180	16,280
BC*0121L@BBX	4NES-14	73,450	65,330	57,460	50,250	43,570	37,420	31,800	26,670	21,940
BC*0131L@BBX	4JE-15	85,490	76,290	67,800	59,590	52,070	44,920	38,360	32,250	26,570

**Notes:**

\* H = Outdoor, N = Indoor models only available as model Rev A

@ C = 208-230/3/60, D = 460/3/60, E = 575/3/60

## PERFORMANCE DATA – R-448A/R-449A

### Low Temperature Models - Semi-Hermetic Compressors

Please consult AWEF table on page 55 to confirm DOE compliance per model

R-448A/R-449A		Capacity BTUH @ 90°F Ambient by SST								
Model	Compressor	+0°F	-5°F	-10°F	-15°F	-20°F	-25°F	-30°F	-35°F	-40°F
BC*0041L@BBX	4EES-4	33,130	29,210	25,580	22,270	19,240	16,440	13,880	11,540	9,380
BC*0056L@BBX	4DES-5	38,760	34,170	29,900	26,050	22,480	19,190	16,210	13,460	10,930
BC*0061L@BBX	4CES-6	49,410	43,510	38,090	33,190	28,690	24,580	20,860	17,440	14,300
BC*0062L@BBX	4VES-7	49,350	43,170	37,490	32,310	27,550	23,270	19,400	15,840	12,560
BC*0076L@BBX	4TES-9	60,470	53,220	46,550	40,370	34,730	29,550	24,880	20,590	16,670
BC*0101L@BBX	4PES-12	67,540	59,170	51,530	44,430	37,900	32,010	26,670	21,820	17,320
BC*0121L@BBX	4NES-14	84,510	73,940	64,520	55,820	47,940	40,740	34,250	28,350	22,940
BC*0131L@BBX	4JE-15	97,990	86,270	75,590	65,780	56,710	48,410	40,780	33,740	27,260

R-448A/R-449A		Capacity BTUH @ 95°F Ambient by SST								
Model	Compressor	+0°F	-5°F	-10°F	-15°F	-20°F	-25°F	-30°F	-35°F	-40°F
BC*0041L@BBX	4EES-4	31,680	27,820	24,350	21,160	18,240	15,560	13,090	10,840	8,780
BC*0056L@BBX	4DES-5	36,980	32,530	28,480	24,730	21,300	18,140	15,270	12,640	10,220
BC*0061L@BBX	4CES-6	47,280	41,610	36,390	31,630	27,290	23,330	19,750	16,470	13,470
BC*0062L@BBX	4VES-7	46,960	40,950	35,540	30,550	25,970	21,850	18,130	14,720	—
BC*0076L@BBX	4TES-9	57,720	50,650	44,260	38,320	32,900	27,910	23,420	19,320	—
BC*0101L@BBX	4PES-12	64,220	56,060	48,720	41,920	35,650	29,990	24,910	20,230	—
BC*0121L@BBX	4NES-14	80,400	70,440	61,300	52,930	45,310	38,430	32,190	26,530	—
BC*0131L@BBX	4JE-15	93,680	82,490	72,050	62,580	53,820	45,810	38,430	31,640	—

R-448A/R-449A		Capacity BTUH @ 100°F Ambient by SST								
Model	Compressor	+0°F	-5°F	-10°F	-15°F	-20°F	-25°F	-30°F	-35°F	-40°F
BC*0041L@BBX	4EES-4	30,200	26,530	23,120	20,070	17,260	14,670	12,310	10,160	8,190
BC*0056L@BBX	4DES-5	35,220	30,940	27,050	23,440	20,100	17,090	14,350	11,840	9,510
BC*0061L@BBX	4CES-6	45,170	39,660	34,670	30,090	25,920	22,100	18,670	15,520	12,650
BC*0062L@BBX	4VES-7	44,600	38,800	33,620	28,780	24,410	20,440	16,880	13,590	—
BC*0076L@BBX	4TES-9	54,960	48,140	42,000	36,290	31,040	26,280	21,960	18,030	—
BC*0101L@BBX	4PES-12	60,880	53,050	45,950	39,370	33,410	27,990	23,130	18,640	—
BC*0121L@BBX	4NES-14	76,380	66,830	58,060	50,030	42,710	36,110	30,140	24,710	—
BC*0131L@BBX	4JE-15	89,360	78,500	68,590	59,390	50,940	43,160	36,090	29,550	—

#### Notes:

\* H = Outdoor, N = Indoor models only available as model Rev A

@ C = 208-230/3/60, D = 460/3/60, E = 575/3/60

35°F Max Superheat

# PERFORMANCE DATA – R-448A/R-449A

## Low Temperature Models - Semi-Hermetic Compressors (cont.)

Please consult AWEF table on page 55 to confirm DOE compliance per model

R-448A/R-449A		Capacity BTUH @ 110°F Ambient by SST								
Model	Compressor	+0°F	-5°F	-10°F	-15°F	-20°F	-25°F	-30°F	-35°F	-40°F
BC*0041L@BBX	4EES-4	27,280	23,870	20,780	17,940	15,330	12,960	10,800	8,840	7,040
BC*0056L@BBX	4DES-5	31,760	27,810	24,230	20,900	17,830	15,060	12,550	10,260	8,130
BC*0061L@BBX	4CES-6	41,000	35,910	31,320	27,080	23,190	19,700	16,550	13,680	11,040
BC*0062L@BBX	4VES-7	40,020	34,690	29,810	25,360	21,330	17,720	14,430	—	—
BC*0076L@BBX	4TES-9	49,440	43,260	37,550	32,290	27,440	23,060	19,120	—	—
BC*0101L@BBX	4PES-12	54,000	47,010	40,430	34,440	29,000	24,090	19,640	—	—
BC*0121L@BBX	4NES-14	68,450	59,640	51,600	44,180	37,510	31,460	26,050	—	—
BC*0131L@BBX	4JE-15	80,770	70,740	61,590	53,060	45,240	38,020	—	—	—

**Notes:**

\* H = Outdoor, N = Indoor models only available as model Rev A

@ C = 208-230/3/60, D = 460/3/60, E = 575/3/60

35°F Max Superheat

## PERFORMANCE DATA – R-407A/R-407F

### Low Temperature Models - Semi-Hermetic Compressors

Please consult AWEF table on page 55 to confirm DOE compliance per model

R-407A/R-407F		Capacity BTUH @ 90°F Ambient by SST								
Model	Compressor	+0°F	-5°F	-10°F	-15°F	-20°F	-25°F	-30°F	-35°F	-40°F
BC*0041L@BBX	4EES-4	33,410	29,470	25,770	22,380	19,260	16,380	13,700	11,250	8,990
BC*0056L@BBX	4DES-5	39,090	34,430	30,100	26,150	22,480	19,090	15,970	13,110	10,450
BC*0061L@BBX	4CES-6	50,060	44,050	38,550	33,520	28,870	24,610	20,710	17,130	13,830
BC*0062L@BBX	4VES-7 †	49,850	43,610	37,800	32,470	27,510	22,990	18,860	15,080	11,550
BC*0076L@BBX	4TES-9 †	61,910	54,460	47,610	41,220	35,330	29,850	24,840	20,210	15,950
BC*0101L@BBX	4PES-12 †	69,060	60,430	52,590	45,230	38,380	32,110	26,360	21,090	16,180
BC*0121L@BBX	4NES-14 †	85,770	75,060	65,360	56,340	48,050	40,410	33,460	27,050	21,170
BC*0131L@BBX	4JE-15 †	94,760	83,130	72,200	62,040	52,620	43,890	35,760	28,170	21,100

R-407A/R-407F		Capacity BTUH @ 95°F Ambient by SST								
Model	Compressor	+0°F	-5°F	-10°F	-15°F	-20°F	-25°F	-30°F	-35°F	-40°F
BC*0041L@BBX	4EES-4	31,820	27,970	24,450	21,210	18,210	15,440	12,880	10,530	8,370
BC*0056L@BBX	4DES-5	37,180	32,750	28,590	24,760	21,230	17,960	14,990	12,250	9,720
BC*0061L@BBX	4CES-6	47,780	42,050	36,690	31,860	27,390	23,280	19,550	16,120	12,970
BC*0062L@BBX	4VES-7 †	47,280	41,200	35,710	30,590	25,820	21,490	17,560	13,920	10,550
BC*0076L@BBX	4TES-9 †	58,850	51,740	45,200	39,060	33,390	28,130	23,330	18,900	14,820
BC*0101L@BBX	4PES-12 †	65,400	57,190	49,680	42,610	36,020	30,010	24,500	19,470	14,770
BC*0121L@BBX	4NES-14 †	81,540	71,290	62,000	53,320	45,350	38,020	31,360	25,220	19,610
BC*0131L@BBX	4JE-15 †	90,140	78,830	68,410	58,650	49,600	41,170	33,420	26,160	19,420

R-407A/R-407F		Capacity BTUH @ 100°F Ambient by SST								
Model	Compressor	+0°F	-5°F	-10°F	-15°F	-20°F	-25°F	-30°F	-35°F	-40°F
BC*0041L@BBX	4EES-4	30,240	26,550	23,160	20,050	17,170	14,500	12,060	9,820	7,760
BC*0056L@BBX	4DES-5	35,300	30,990	27,060	23,380	20,000	16,860	14,020	11,400	8,990
BC*0061L@BBX	4CES-6	45,520	39,960	34,910	30,220	25,930	21,980	18,410	15,130	12,120
BC*0062L@BBX	4VES-7 †	44,730	38,890	33,640	28,670	24,140	20,000	16,250	12,780	9,560
BC*0076L@BBX	4TES-9 †	55,980	49,070	42,810	36,920	31,480	26,430	21,840	17,600	13,710
BC*0101L@BBX	4PES-12 †	61,950	54,070	46,780	39,940	33,690	27,930	22,710	17,880	13,400
BC*0121L@BBX	4NES-14 †	77,390	67,670	58,660	50,320	42,630	35,650	29,280	23,440	18,070
BC*0131L@BBX	4JE-15 †	85,460	74,650	64,680	55,310	46,620	38,540	31,120	24,220	17,780

#### Notes:

N = Indoor models only available as model Rev A

† Liquid Injection via CIC is required at all operating conditions

\* H = Outdoor, N = Indoor

@ C = 208-230/3/60, D = 460/3/60, E = 575/3/60

35°F Max Superheat



# PERFORMANCE DATA – R-407A/R-407F

## Low Temperature Models - Semi-Hermetic Compressors (cont.)

Please consult AWEF table on page 55 to confirm DOE compliance per model

R-407A/R-407F		Capacity BTUH @ 110°F Ambient by SST								
Model	Compressor	+0°F	-5°F	-10°F	-15°F	-20°F	-25°F	-30°F	-35°F	-40°F
BC*0041L@BBX	4EES-4	27,150	23,750	20,660	17,780	15,140	12,690	10,460	8,420	6,570
BC*0056L@BBX	4DES-5	31,620	27,640	24,060	20,690	17,560	14,720	12,130	9,760	7,580
BC*0061L@BBX	4CES-6	41,030	35,950	31,320	27,010	23,060	19,440	16,180	13,190	10,470
BC*0062L@BBX	4VES-7 <sup>†</sup>	39,670	34,430	29,570	25,000	20,870	17,120	13,700	10,540	—
BC*0076L@BBX	4TES-9 <sup>†</sup>	50,080	43,880	38,080	32,680	27,670	23,090	18,910	15,080	11,550
BC*0101L@BBX	4PES-12 <sup>†</sup>	54,900	47,780	41,100	34,830	29,120	23,880	19,140	14,760	10,760
BC*0121L@BBX	4NES-14 <sup>†</sup>	69,210	60,340	52,060	44,420	37,380	31,010	25,210	19,920	15,060
BC*0131L@BBX	4JE-15 <sup>†</sup>	76,690	66,650	57,400	48,790	40,770	33,430	26,680	20,420	14,590

**Notes:**

N = Indoor models only available as model Rev A  
<sup>†</sup> Liquid Injection via CIC is required at all operating conditions  
 \* H = Outdoor, N = Indoor  
 @ C = 208-230/3/60, D = 460/3/60, E = 575/3/60  
 35°F Max Superheat

## PERFORMANCE DATA – R-407C

### Low Temperature Models - Semi-Hermetic Compressors

Please consult AWEF table on page 55 to confirm DOE compliance per model

R-407C		Capacity BTUH @ 90°F Ambient by SST								
Model	Compressor	+0°F	-5°F	-10°F	-15°F	-20°F	-25°F	-30°F	-35°F	-40°F
BC*0041L@BBX	4EES-4	28,800	25,110	21,810	—	—	—	—	—	—
BC*0056L@BBX	4DES-5	34,550	30,230	26,250	—	—	—	—	—	—
BC*0061L@BBX	4CES-6	43,930	38,490	33,460	—	—	—	—	—	—
BC*0062L@BBX	4VES-7	44,730	39,060	33,730	—	—	—	—	—	—
BC*0076L@BBX	4TES-9	54,800	48,040	41,710	—	—	—	—	—	—
BC*0101L@BBX	4PES-12	61,030	53,250	45,890	—	—	—	—	—	—
BC*0121L@BBX	4NES-14	75,480	65,850	56,920	—	—	—	—	—	—
BC*0131L@BBX	4JE-15	82,820	71,830	61,740	—	—	—	—	—	—

R-407C		Capacity BTUH @ 95°F Ambient by SST								
Model	Compressor	+0°F	-5°F	-10°F	-15°F	-20°F	-25°F	-30°F	-35°F	-40°F
BC*0041L@BBX	4EES-4	27,470	23,940	20,700	—	—	—	—	—	—
BC*0056L@BBX	4DES-5	32,980	28,830	24,990	—	—	—	—	—	—
BC*0061L@BBX	4CES-6	42,100	36,820	31,950	—	—	—	—	—	—
BC*0062L@BBX	4VES-7	42,580	37,140	31,990	—	—	—	—	—	—
BC*0076L@BBX	4TES-9	52,280	45,730	39,690	—	—	—	—	—	—
BC*0101L@BBX	4PES-12	58,060	50,440	43,500	—	—	—	—	—	—
BC*0121L@BBX	4NES-14	72,000	62,730	54,120	—	—	—	—	—	—
BC*0131L@BBX	4JE-15	78,850	68,300	58,450	—	—	—	—	—	—

R-407C		Capacity BTUH @ 100°F Ambient by SST								
Model	Compressor	+0°F	-5°F	-10°F	-15°F	-20°F	-25°F	-30°F	-35°F	-40°F
BC*0041L@BBX	4EES-4	26,100	22,730	19,600	—	—	—	—	—	—
BC*0056L@BBX	4DES-5	31,370	27,430	23,720	—	—	—	—	—	—
BC*0061L@BBX	4CES-6	40,180	35,140	30,430	—	—	—	—	—	—
BC*0062L@BBX	4VES-7	40,430	35,140	30,290	—	—	—	—	—	—
BC*0076L@BBX	4TES-9	49,830	43,540	37,670	—	—	—	—	—	—
BC*0101L@BBX	4PES-12	55,040	47,670	41,030	—	—	—	—	—	—
BC*0121L@BBX	4NES-14	68,510	59,510	51,310	—	—	—	—	—	—
BC*0131L@BBX	4JE-15	74,950	64,790	55,250	—	—	—	—	—	—

#### Notes:

N = Indoor models only available as model Rev A

\* H = Outdoor, N = Indoor

@ C = 208-230/3/60, D = 460/3/60, E = 575/3/60

35°F Max Superheat

# PERFORMANCE DATA – R-407C

## Low Temperature Models - Semi-Hermetic Compressors (cont.)

Please consult AWEF table on page 55 to confirm DOE compliance per model

R-407C		Capacity BTUH @ 110°F Ambient by SST								
Model	Compressor	+0°F	-5°F	-10°F	-15°F	-20°F	-25°F	-30°F	-35°F	-40°F
BC*0041L@BBX	4EES-4	23,450	20,290	—	—	—	—	—	—	—
BC*0056L@BBX	4DES-5	28,300	24,580	—	—	—	—	—	—	—
BC*0061L@BBX	4CES-6	36,470	31,720	—	—	—	—	—	—	—
BC*0062L@BBX	4VES-7	36,200	31,290	—	—	—	—	—	—	—
BC*0076L@BBX	4TES-9	44,840	38,970	—	—	—	—	—	—	—
BC*0101L@BBX	4PES-12	48,880	42,260	—	—	—	—	—	—	—
BC*0121L@BBX	4NES-14	61,430	53,200	—	—	—	—	—	—	—
BC*0131L@BBX	4JE-15	67,370	57,850	—	—	—	—	—	—	—

**Notes:**

N = Indoor models only available as model Rev A

\* H = Outdoor, N = Indoor

@ C = 208-230/3/60, D = 460/3/60, E = 575/3/60

35°F Max Superheat

## UNIT SPECIFICATIONS

### Medium & Low Temperature Models - Bitzer™ Compressors

Please consult AWEF table on pages 54-55 to confirm DOE compliance per model

Model	Compressor	Refrigerant Line Connections (OD)		Rec. Capacity @90% full (lbs)		Cabinet	Dimensions (In.)			Net Wt. (lbs.)	Sound Data dBa <sup>†</sup>
		Liquid	Suction	Std	Opt		Depth	Width	Height		
BC*0056M@ABX	4EES-6	5/8	13/8	67	78	C5	36.75	63.75	39.25	823	82
BC*0076M@ABX	4DES-7	5/8	13/8	67	78	C5	36.75	63.75	39.25	862	82
BC*0091M@ABX	4CES-9	7/8	15/8	87	98	C6	41.75	75.125	48.75	993	84
BC*0101M@ABX	4VES-10	7/8	15/8	87	98	C6	41.75	75.125	48.75	1,101	84
BC*0041L@BBX	4EES-4	1/2	11/8	28	52	C4	36.75	51.75	39.25	595	78
BC*0056L@BBX	4DES-5	1/2	11/8	28	52	C4	36.75	51.75	39.25	645	78
BC*0061L@BBX	4CES-6	5/8	13/8	67	78	C5	36.75	63.75	39.25	775	82
BC*0062L@BBX	4VES-7	5/8	13/8	67	78	C5	36.75	63.75	39.25	865	82
BC*0076L@BBX	4TES-9	5/8	13/8	67	78	C5	36.75	63.75	39.25	935	84
BC*0101L@BBX	4PES-12	5/8	13/8	67	78	C5	36.75	63.75	39.25	1,000	84
BC*0121L@BBX	4NES-14	7/8	15/8	87	98	C6	41.75	75.125	48.75	1,082	84
BC*0131L@BBX	4JE-15	7/8	15/8	87	98	C6	41.75	75.125	48.75	1,173	84

#### Notes:

\* H = Outdoor, N = Indoor models only available as model Rev A

@ C = 208-230/3/60, D = 460/3/60, E = 575/3/60

<sup>†</sup> Estimated sound pressure values are 10 feet from the unit. For estimating sound pressure from the unit at different distances, deduct the following from the unit values: 20 feet, deduct 6 dBA; for 40 feet, deduct 12 dBA; for 80 feet, deduct 18 dBA. This data is typical of "free field" conditions for horizontal air cooled condensing units at the outlet of the discharge air. The actual sound measurements may vary depending on the condensing unit installation. Factors such as reflecting walls, background noise and mounting conditions may have a significant influence on this data.

# ELECTRICAL DATA

## Medium & Low Temperature Models - Bitzer™ Compressors

Please consult AWEF table on pages 54-55 to confirm DOE compliance per model

Model	Compressor	Power†	Compressor		Condenser		intelliGen™/ Beacon II		Remote Loads- Low Amps				Remote Loads- High Amps				
			RLA <sup>c</sup>	LRA	No. Fans	FLA (ea)	MCA	MOPD	Evap. Fan Amps	Defrost Htrs. Amps	Electric Defrost		Evap. Fan Amps	Defrost Htrs. Amps	Electric Defrost		
											MCA	MOPD			MCA	MOPD	
BC*0076MDABX	4DES-7Y-4SU	460/3/60	15.3	88.0	2	1.9	22.9	35.0	—	—	—	—	—	—	—	—	—
BC*0076MEABX	4DES-7Y-5SU	575/3/60	11.0	63.5	2	1.2	20.0	25.0	—	—	—	—	—	—	—	—	—
BC*0091MCABX	4CES-9Y-2DU	208-230/3/60	37.8	215.0	2	4.4	56.0	90.0	—	—	—	—	—	—	—	—	—
BC*0091MDABX	4CES-9Y-4SU	460/3/60	171	88.0	2	2.2	25.7	40.0	—	—	—	—	—	—	—	—	—
BC*0091MEABX	4CES-9Y-5SU	575/3/60	13.7	63.5	2	1.8	20.7	30.0	—	—	—	—	—	—	—	—	—
BC*0101MCABX	4VES-10Y-2NU	208-230/3/60	42.5	222.0	2	4.4	61.9	100.0	—	—	—	—	—	—	—	—	—
BC*0101MDABX	4VES-10Y-2NU	460/3/60	19.2	111.0	2	2.2	28.4	45.0	—	—	—	—	—	—	—	—	—
BC*0101MEABX	4VES-10Y-5PU	575/3/60	15.4	89.0	2	1.8	22.8	35.0	—	—	—	—	—	—	—	—	—
BC*0041LCBBX	4EES-4Y-2DU	208-230/3/60	22.2	142.0	1	2.7	30.5	50.0	—	—	—	—	—	—	—	—	—
BC*0041LDBBX	4EES-4Y-4SU	460/3/60	9.2	58.0	1	1.9	15.0	20.0	—	—	—	—	—	—	—	—	—
BC*0041LEBBX	4EES-4Y-5SU	575/3/60	7.4	41.5	1	1.2	15.0	15.0	—	—	—	—	—	—	—	—	—
BC*0056LCBBX	4DES-5Y-2DU	208-230/3/60	22.8	163.0	1	2.7	31.2	50.0	—	—	—	—	—	—	—	—	—
BC*0056LDBBX	4DES-5Y-4SU	460/3/60	10.8	66.5	1	1.9	20.0	25.0	—	—	—	—	—	—	—	—	—
BC*0056LEBBX	4DES-5Y-5SU	575/3/60	9.0	48.0	1	1.2	15.0	20.0	—	—	—	—	—	—	—	—	—
BC*0061LCBBX	4CES-6Y-2DU	208-230/3/60	27.6	215.0	2	2.7	39.9	60.0	—	—	—	—	—	—	—	—	—
BC*0061LDBBX	4CES-6Y-4SU	460/3/60	14.2	88.0	2	1.9	21.5	35.0	—	—	—	—	—	—	—	—	—
BC*0061LEBBX	4CES-6Y-5SU	575/3/60	11.2	63.5	2	1.2	20.0	25.0	—	—	—	—	—	—	—	—	—
BC*0062LCBBX	4VES-7Y-2NU	208-230/3/60	26.9	150.0	2	2.7	39.1	60.0	—	—	—	—	—	—	—	—	—
BC*0062LDBBX	4VES-7Y-2NU	460/3/60	12.2	75.0	2	1.9	20.0	30.0	—	—	—	—	—	—	—	—	—
BC*0062LEBBX	4VES-7Y-5PU	575/3/60	9.6	60.0	2	1.2	15.0	20.0	—	—	—	—	—	—	—	—	—
BC*0076LCBBX	4TES-9Y-2NU	208-230/3/60	31.2	180.0	2	2.7	44.4	70.0	—	—	—	—	—	—	—	—	—
BC*0076LDBBX	4TES-9Y-2NU	460/3/60	14.1	90.0	2	1.9	21.4	35.0	—	—	—	—	—	—	—	—	—
BC*0076LEBBX	4TES-9Y-5PU	575/3/60	12.2	72.0	2	1.2	20.0	25.0	—	—	—	—	—	—	—	—	—
BC*0101LCBBX	4PES-12Y-2NU	208-230/3/60	38.3	222.0	2	2.7	53.2	90.0	—	—	—	—	—	—	—	—	—
BC*0101LDBBX	4PES-12Y-2NU	460/3/60	17.3	111.0	2	1.9	25.4	40.0	—	—	—	—	—	—	—	—	—
BC*0101LEBBX	4PES-12Y-5PU	575/3/60	14.4	89.0	2	1.2	20.3	30.0	—	—	—	—	—	—	—	—	—
BC*0121LCBBX	4NES-14Y-2NU	208-230/3/60	44.0	252.0	2	4.4	63.8	100.0	—	—	—	—	—	—	—	—	—
BC*0121LDBBX	4NES-14Y-2NU	460/3/60	19.9	126.0	2	2.2	29.2	45.0	—	—	—	—	—	—	—	—	—
BC*0121LEBBX	4NES-14Y-5PU	575/3/60	15.9	101.0	2	1.8	23.5	35.0	—	—	—	—	—	—	—	—	—
BC*0131LCBBX	4JE-15Y-2NU	208-230/3/60	55.3	352.0	2	4.4	78.0	125.0	—	—	—	—	—	—	—	—	—
BC*0131LDBBX	4JE-15Y-2NU	460/3/60	25.0	176.0	2	2.2	35.7	60.0	—	—	—	—	—	—	—	—	—
BC*0131LEBBX	4JE-15Y-5PU	575/3/60	20.0	140.0	2	1.8	28.6	45.0	—	—	—	—	—	—	—	—	—

**Notes:**

\* H = Outdoor, N = Indoor models only available as model Rev A  
 Per UL and NEC, RLA values have been calculated by dividing the Maximum Continuous Current (MCC) by 1.56.  
 † Unless otherwise noted, model is available for 50 Hz. Consult factory for details.

## AWEF DATA – MEDIUM TEMPERATURE

### Bitzer™ Semi-Hermetic Compressor Models - Indoor/Outdoor

If model has a numerical value in the table below, the following statement applies:

This refrigeration system is designed and certified for use in walk-in cooler applications.

Model	Indoor						Outdoor					
	R-404A/ R-507A	R-448A	R-449A	R-407A	R-407C	R-407F	R-404A/ R-507A	R-448A	R-449A	R-407A	R-407C	R-407F
BC*0056MCABX	5.61	5.61	5.61	5.61	5.61	5.61	7.60	7.60	7.60	7.60	7.60	7.60
BC*0056MDABX	5.61	5.61	5.61	5.61	5.61	5.61	7.60	7.60	7.60	7.60	7.60	7.60
BC*0056MEABX	5.61	5.61	5.61	5.61	5.61	5.61	7.60	7.60	7.60	7.60	7.60	7.60
BC*0076MCABX	5.61	5.61	5.61	5.61	5.61	5.61	7.60	7.60	7.60	7.60	7.60	7.60
BC*0076MDABX	5.61	5.61	5.61	5.61	5.61	5.61	7.60	7.60	7.60	7.60	7.60	7.60
BC*0076MEABX	5.61	5.61	5.61	5.61	5.61	5.61	7.60	7.60	7.60	7.60	7.60	7.60
BC*0091MCABX	5.61	5.61	5.61	5.61	5.61	5.61	7.60	7.60	7.60	7.60	7.60	7.60
BC*0091MDABX	5.61	5.61	5.61	5.61	5.61	5.61	7.60	7.60	7.60	7.60	7.60	7.60
BC*0091MEABX	5.61	5.61	5.61	5.61	5.61	5.61	7.60	7.60	7.60	7.60	7.60	7.60
BC*0101MCABX	5.61	5.61	5.61	5.61	5.61	5.61	7.60	7.60	7.60	7.60	7.60	7.60
BC*0101MDABX	5.61	5.61	5.61	5.61	5.61	5.61	7.60	7.60	7.60	7.60	7.60	7.60
BC*0101MEABX	5.61	5.61	5.61	5.61	5.61	5.61	7.60	7.60	7.60	7.60	7.60	7.60

#### Notes:

\* H = Outdoor, N = Indoor

X = model not suitable for this refrigerant

— = model is not DOE AWEF compliant

If model has a numerical value in the table, the following statement applies. “This refrigeration system is designed and certified for use in walk-in cooler applications.”

# AWEF DATA – LOW TEMPERATURE

## Bitzer™ Semi-Hermetic Compressor Models - Indoor/Outdoor

If model has a numerical value in the table below, the following statement applies:

This refrigeration system is designed and certified for use in walk-in freezer applications.

Model	Indoor						Outdoor					
	R-404A/ R-507A	R-448A	R-449A	R-407A	R-407C	R-407F	R-404A/ R-507A	R-448A	R-449A	R-407A	R-407C	R-407F
BC*0041LCBBX	2.40	2.40	2.40	2.40	X	2.40	3.15	3.15	3.15	3.15	X	3.15
BC*0041LDBBX	2.40	2.40	2.40	2.40	X	2.40	3.15	3.15	3.15	3.15	X	3.15
BC*0041LEBBX	2.40	2.40	2.40	2.40	X	2.40	3.15	3.15	3.15	3.15	X	3.15
BC*0056LCBBX	2.40	2.40	2.40	2.40	X	2.40	3.15	3.15	3.15	3.15	X	3.15
BC*0056LDBBX	2.40	2.40	2.40	2.40	X	2.40	3.15	3.15	3.15	3.15	X	3.15
BC*0056LEBBX	2.40	2.40	2.40	2.40	X	2.40	3.15	3.15	3.15	3.15	X	3.15
BC*0061LCBBX	2.40	2.40	2.40	2.40	X	2.40	3.15	3.15	3.15	3.15	X	3.15
BC*0061LDBBX	2.40	2.40	2.40	2.40	X	2.40	3.15	3.15	3.15	3.15	X	3.15
BC*0061LEBBX	2.40	—	2.40	2.40	X	2.40	3.15	3.15	3.15	3.15	X	3.15
BC*0062LCBBX	2.40	2.40	2.40	2.40	X	2.40	3.15	3.15	3.15	3.15	X	3.15
BC*0062LDBBX	2.40	2.40	2.40	2.40	X	2.40	3.15	3.15	3.15	3.15	X	3.15
BC*0062LEBBX	2.40	2.40	2.40	2.40	X	2.40	3.15	3.15	3.15	3.15	X	3.15
BC*0076LCBBX	2.40	2.40	2.40	2.40	X	2.40	3.15	3.15	3.15	3.15	X	3.15
BC*0076LDBBX	2.40	2.40	2.40	2.40	X	2.40	3.15	3.15	3.15	3.15	X	3.15
BC*0076LEBBX	2.40	2.40	2.40	2.40	X	2.40	3.15	3.15	3.15	3.15	X	3.15
BC*0101LCBBX	2.40	2.40	2.40	2.40	X	2.40	3.15	3.15	3.15	3.15	X	3.15
BC*0101LDBBX	2.40	2.40	2.40	2.40	X	2.40	3.15	3.15	3.15	3.15	X	3.15
BC*0101LEBBX	2.40	2.40	2.40	2.40	X	2.40	3.15	3.15	3.15	3.15	X	3.15
BC*0121LCBBX	2.40	2.40	2.40	2.40	X	2.40	3.15	3.15	3.15	3.15	X	3.15
BC*0121LDBBX	2.40	2.40	2.40	2.40	X	2.40	3.15	3.15	3.15	3.15	X	3.15
BC*0121LEBBX	2.40	2.40	2.40	2.40	X	2.40	3.15	3.15	3.15	3.15	X	3.15
BC*0131LCBBX	2.40	2.40	2.40	—	X	2.40	3.15	3.15	3.15	3.15	X	3.15
BC*0131LDBBX	2.40	2.40	2.40	—	X	2.40	3.15	3.15	3.15	3.15	X	3.15
BC*0131LEBBX	2.40	2.40	2.40	—	X	2.40	3.15	3.15	3.15	3.15	X	3.15

**Notes:**

\* H = Outdoor, N = Indoor models only available as model Rev A

X = model not suitable for this refrigerant

— = model is not DOE AWEF compliant

If model has a numerical value in the table, the following statement applies. "This refrigeration system is designed and certified for use in walk-in freezer applications."



**www.interlinkparts.com**  
**800.686.7278**

## Right source. Right parts. Right now.

InterLink™ is your link to a complete line of dependable and certified commercial refrigeration parts, accessories and innovative electronic controls for all Bohn equipment. At InterLink, we provide our wholesalers with a comprehensive selection of product solutions and innovative technologies for the installed customer base. And every product is built to ensure the same high performance standards with which all Heatcraft Refrigeration Products brands are built — backed by a dedicated team to serve every customer need, delivering at the best lead times in the industry.

## Dependable. Versatile. Courteous.

Finally, one simple source for all your replacement needs from a name you can trust.

## REPLACEMENT PARTS

Replacement Parts			
Item	Cabinet		
	C4	C5	C6
PSC Motor, 230/1	25309004	25309004	R033177500
PSC Motor, 460/1	25314601	25314601	R033177700
PSC Motor, 575/1	25309003	25309003	25302301
EC Motor, 230/1	25319104	25319104	25322601
EC Motor, 460/1	25319104*	25319104*	N/A
EC Motor, 460/3	N/A	N/A	25322701
Fan Blade	7173156	7173156	R029218600
Orbus Controller	28962001	28962001	28962001
Orbus Transducer, 0-500 psis	28911204	28911204	28911204
Smart Defrost Kit (SDK)	28999301	28999301	28999301
SDK Temperature Sensor	28902301	28902301	28902301
SDK Transducer, 0-300 psia	28911202	28911202	28911202
Fan Speed Resistor, 230V	N/A	N/A	22542902
Fan Speed Resistor, 460V	N/A	N/A	22542901

**Notes:**

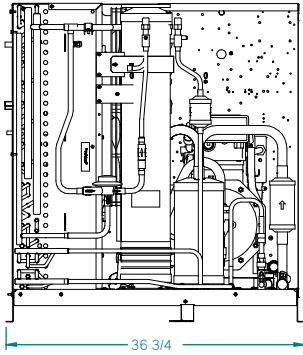
\* = 460/230V transformer is used in unit



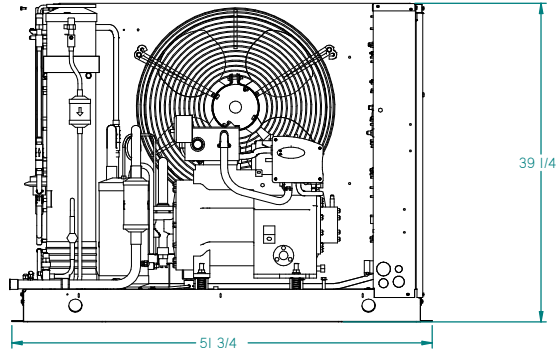
# DIMENSIONAL DRAWINGS

## C4 CABINET

LEFT

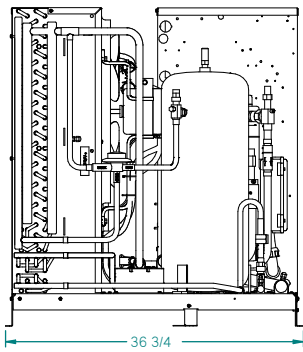


FRONT

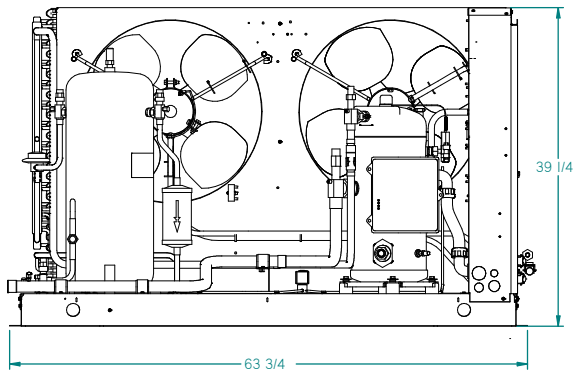


## C5 CABINET

LEFT

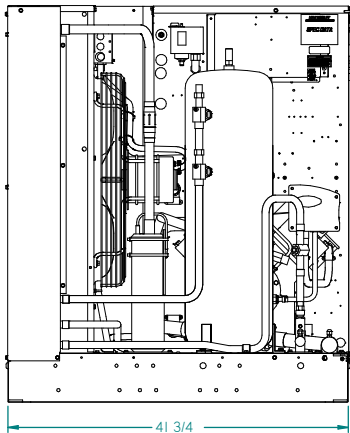


FRONT

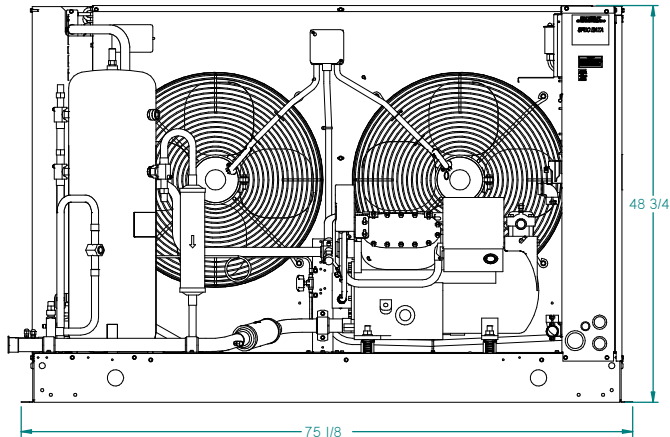


## C6 CABINET

LEFT



FRONT





2175 West Park Place Blvd.

Stone Mountain, GA 30087

Phone: 800.537.7775 · Fax: 770.465.5900

[heatcraftspd.com](http://heatcraftspd.com)

Since product improvement is a continuing effort, we reserve the right to make changes in specifications without notice.

**BN-HCU-0223 | Version 006**

©2023 Heatcraft Refrigeration Products LLC